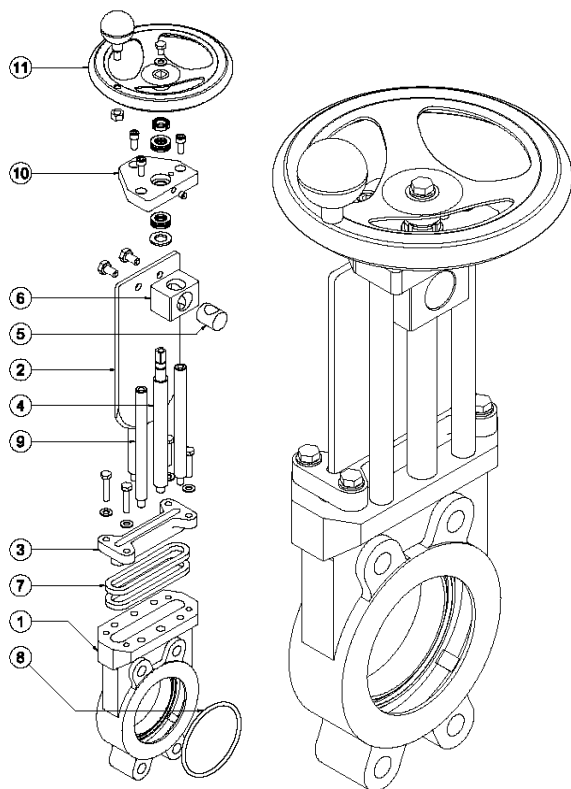


VALVOLA MONOBLOCCO UNIDIREZIONALE TIPO WAFER CON COMANDO MANUALE

UNIDIRECTIONAL MONOBLOCK VALVE WITH MANUAL CONTROL



ART. 01

MATERIALI E CARATTERISTICHE/MATERIALS AND CHARACTERISTICS

1	Corpo/Body.	GG25, GGG40, AISI 304, AISI 316, BRONZO/GG25, GGG40, AISI 304, AISI 316, Bronze
2	Paratoia/Gate.	AISI 304, AISI 316, Durostat 400, SAF 2205/AISI 304, AISI 316, Durostat 400, SAF 2205
3	Premistoppa/Gland follower.	Ghisa, Alluminio, Inox/Cast iron, Aluminium, Stainless Steel
4	Asta filettata NON SALIENTE/NON salient threaded rod.	AISI 304/AISI 304
5	Chiocciola/Nut.	Ottone/Brass
6	Blocchetto/Support.	Alluminio/Aluminium
7	Baderne/Packings.	Treccia teflonata, grafitata, cotonata/Teflon, graphited or cotton braid
8	OR/OR.	NBR, EPDM, FPM, PTFE/NBR, EPDM, FPM, PTFE
9	Colonne/Columns.	Fe zincato, Inox/Iron galvanized, Stainless Steel
10	Piastra supporto/Support plate.	Fe zincato, Inox/Iron painted, Iron galvanized, Stainless Steel
11	Comando/Control.	Volantino in Fe verniciato/Iron painted handwheel

Passaggio/Passage:	Totale/Total
Tenuta v/esterno/Seal towards the outside:	100%
Tenuta monte/valle/Upstream/Downstream seal:	100%
Foratura flange/Flange drilling:	UNI EN 1092-1 PN 10 (EX UNI2277-PN10)

Altri materiali e/o versioni a richiesta/Other materials and/or versions upon request

VALVOLA MONOBLOCCO CON COMANDO A VOLANTINO

MONOBLOCK VALVE WITH MANUAL CONTROL

DN		MISURE (mm)						PESO WEIGHT	PRESSIONE MAX DI ESERCIZIO MAX. OPERATING PRESSURE
inch	mm	Y	N	N1	K	D	H		
2"	50	125	4xM16	-	45	165	370	8	≤ 10 Bar
2 1/2"	65	145	4xM16	-	45	185	405	9	≤ 10 Bar
3"	80	160	4xM16	-	45	200	435	10	≤ 10 Bar
4"	100	180	4xM16	4xØ16	50	220	445	11	≤ 10 Bar
5"	125	210	4xM16	4xØ16	50	250	480	13	≤ 10 Bar
6"	150	240	4xM20	4xØ20	55	285	535	17	≤ 10 Bar
8"	200	295	4xM20	4xØ20	60	340	660	26	≤ 8 Bar
10"	250	350	6xM20	6xØ20	60	395	765	40	≤ 6 Bar
12"	300	400	6xM20	6xØ20	60	445	880	54	≤ 5 Bar
14"	350	460	10xM20	6xØ20	70	505	970	82	≤ 4 Bar
16"	400	515	10xM20	6xØ24	90	565	1085	110	≤ 3 Bar
18"	450	565	14xM24	6xØ24	110	615	1180	150	≤ 2,5 Bar
20"	500	620	14xM24	6xØ24	110	670	1300	200	≤ 2 Bar
24"	600	725	14xM27	6xØ27	110	780	1500	270	≤ 1,5 Bar
28"	700	840	16xM27	8xØ27	110	895	1700	350	≤ 1 Bar
32"	800	950	16xM30	8xØ30	110	1015	1900	440	≤ 1 Bar
36"	900	1050	20xM30	8xØ30	130	1115	2500	700	≤ 1 Bar
40"	1000	1160	20xM30	8xØ30	130	1230	2700	820	≤ 1 Bar

