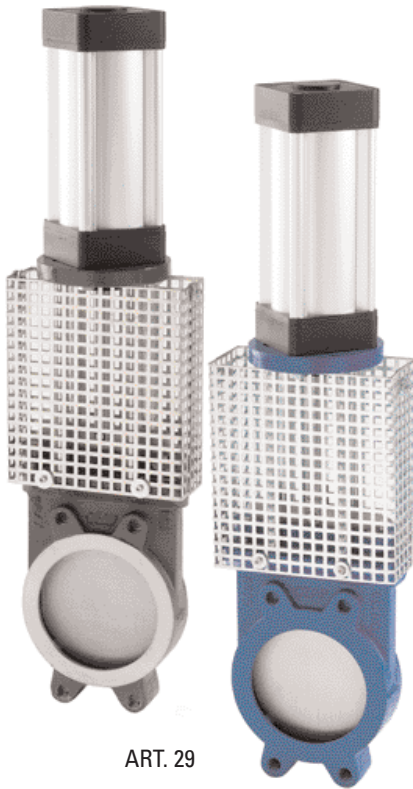
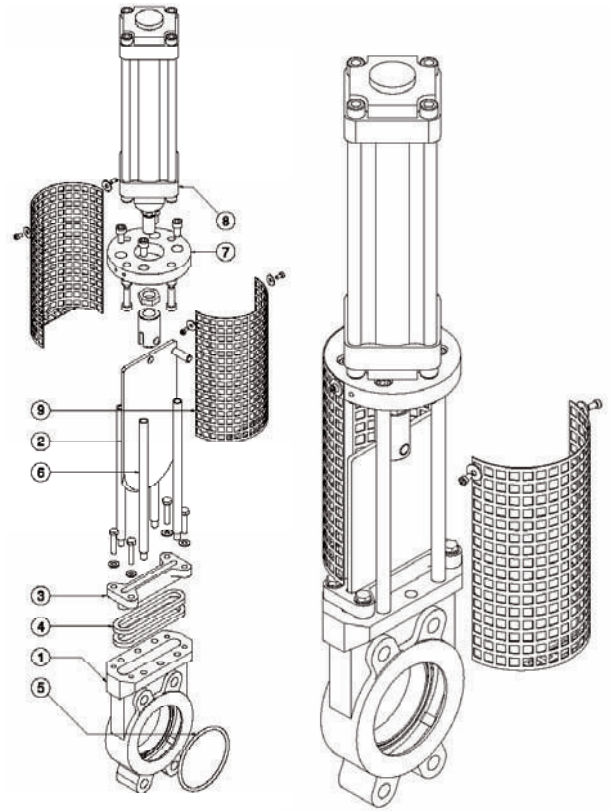


VALVOLA MONOBLOCCO UNIDIREZIONALE TIPO WAFER CON COMANDO PNEUMATICO

UNIDIRECTIONAL MONOBLOCK VALVE WITH PNEUMATIC CONTROL



ART. 29



MATERIALI E CARATTERISTICHE/MATERIALS AND CHARACTERISTICS

1	Corpo/Body.	GG25, GGG40, AISI 304, AISI 316, BRONZO/GG25, GGG40, AISI 304, AISI 316, Bronze
2	Paratoia/Gate.	AISI 304, AISI 316, Durostat 400, SAF 2205/AISI 304, AISI 316, Durostat 400, SAF 2205
3	Premistoppa/Gland follower.	Ghisa, Alluminio, Inox/Cast iron, Aluminium, Stainless Steel
4	Baderne/Packings.	Treccia teflonata, grafitata, cotonata/Teflon, graphited or cotton braid
5	OR/OR.	NBR, EPDM, FPM, PTFE/NBR, EPDM, FPM, PTFE
6	Colonne/Columns.	Fe zincato, Inox/Iron galvanized, Stainless Steel
7	Piastra supporto/Support plate.	Fe verniciato, Fe zincato, Inox/Iron painted, Iron galvanized, Stainless Steel
8	Comando/Control.	Cilindro pneumatico DE, SE, con posizionale pneumatico (3-15 Psi) o elettropneumatico (4-20 mA), oleodinamico Pneumatic Double or Single Acting, with 3-15 Psi or 4-20 mA positioner, oil-pressure
9	Protezione lama/Blade protection: Fincorsa/Limit switches.	Fe zincato, Inox/Iron galvanized, Stainless Steel Magnetici, meccanici, induttivi/Magnetic, mechanical, inductive
	Passaggio/Passage:	Totale/Total
	Tenuta v/esterno/Seal towards the outside:	100%
	Tenuta monte/valle/Upstream/Downstream seal:	100%
	Foratura flange/Flange drilling:	UNI EN 1092-1 PN 10 (EX UNI2277-PN10)

Altri materiali e/o versioni a richiesta/Other materials and/or versions upon request

VALVOLA MONOBLOCCO CON COMANDO PNEUMATICO D.E.

MONOBLOCK VALVE WITH PNEUMATIC D.A. CONTROL

DN		MISURE (mm) DIMENSIONS (MM)							PESO WEIGHT	PRESSIONE MAX DI ESERCIZIO MAX. OPERATING PRESSURE
inch	mm	Y	N	N1	K	D	H	E	KG	
2"	50	125	4xM16	-	45	165	515	80	12	≤ 10 Bar
2 1/2"	65	145	4xM16	-	45	185	555	80	13	≤ 10 Bar
3"	80	160	4xM16	-	45	200	578	80	14	≤ 10 Bar
4"	100	180	4xM16	4xØ16	50	220	598	80	15	≤ 10 Bar
5"	125	210	4xM16	4xØ16	50	250	660	100	20	≤ 10 Bar
6"	150	240	4xM20	4xØ20	55	285	737	100	26	≤ 10 Bar
8"	200	295	4xM20	4xØ20	60	340	951	125	37	≤ 8 Bar
10"	250	350	6xM20	6xØ20	60	395	1240	160	60	≤ 6 Bar
12"	300	400	6xM20	6xØ20	60	445	1410	160	73	≤ 5 Bar
14"	350	460	10xM20	6xØ20	70	505	1555	200	120	≤ 4 Bar
16"	400	515	10xM24	6xØ24	90	565	1710	200	150	≤ 3 Bar
18"	450	565	14xM24	6xØ24	110	615	1855	200	200	≤ 2,5 Bar
20"	500	620	14xM24	6xØ24	110	670	-	250	280	≤ 2 Bar
24"	600	725	14xM27	6xØ27	110	780	-	320	360	≤ 1,5 Bar
28"	700	840	16xM27	8xØ27	110	895	-	400	450	≤ 1 Bar
32"	800	950	16xM30	8xØ30	115	1015	-	400	530	≤ 1 Bar

