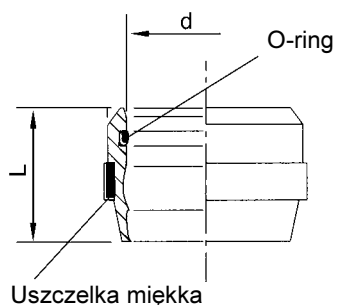


Pierścień
zacinający z
uszczelką
DIN 3861-B

CE S B4



| Seria | PN bar | Rura śr. zewnętrzna | d | L | Kod Pierścień zacinający | kg/100szt |
|-------|-----------|------------------------|----|------|-----------------------------|-----------|
| L | 315 | 6 | 6 | 9,5 | B4 6-L | 0,15 |
| | | 8 | 8 | 9,5 | B4 8-L | 0,20 |
| | | 10 | 10 | 10,5 | B4 10-L | 0,29 |
| | | 12 | 12 | 10,5 | B4 12-L | 0,35 |
| | | 15 | 15 | 10,5 | B4 15-L | 0,42 |
| | | 18 | 18 | 10,5 | B4 18-L | 0,50 |
| | 160 | 22 | 22 | 12,0 | B4 22-L | 0,62 |
| | | 28 | 28 | 11,0 | B4 28-L | 0,78 |
| | | 35 | 35 | 14,0 | B4 35-L | 1,75 |
| | | 42 | 42 | 14,0 | B4 42-L | 2,30 |
| S | 630 | 6 | 6 | 9,5 | B4 6-S | 0,15 |
| | | 8 | 8 | 9,5 | B4 8-S | 0,20 |
| | | 10 | 10 | 10,5 | B4 10-S | 0,28 |
| | | 12 | 12 | 10,5 | B4 12-S | 0,34 |
| | | 14 | 14 | 10,0 | B4 14-S | 0,38 |
| | | 400 | 16 | 16 | 10,5 | B4 16-S |
| | 20 | | 20 | 13,0 | B4 20-S | 1,00 |
| | 25 | | 25 | 13,5 | B4 25-S | 1,35 |
| | 30 | | 30 | 13,5 | B4 30-S | 1,76 |
| | 315 | 38 | 38 | 13,5 | B4 38-S | 2,17 |