

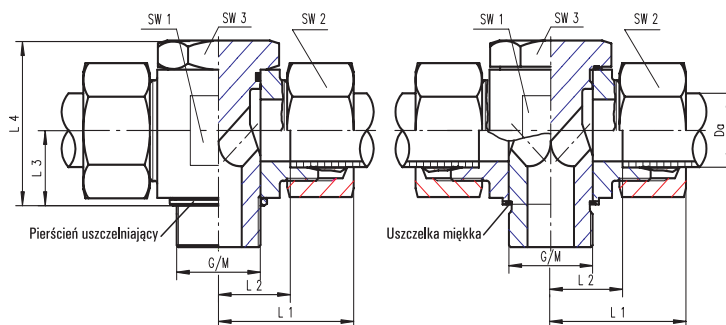
Przyłączka T typu Banjo wysokociśnieniowa

Gwint:

całowy, cylindryczny

z uszczelką miękką (NBR, Viton) - WD

lub uszczelnieniem czołowym - DKA



Seria	PN bar	Rura		SW 2	SW 3	SW 1	L 2	L 1	L 4	L 3	Kod	kg/100szt
		śr. zewn Da	M									
L	315	6	G 1/8 A	14	17	17	12,0	27	24,0	10,5	C-TH 6-LR	0,81
		8	G 1/4 A	17	19	22	14,5	29	30,0	14,0	C-TH 8-LR	1,42
		10	G 1/4 A	19	19	22	15,5	30	30,0	14,0	C-TH 10-LR	1,52
		12	G 3/8 A	22	24	27	18,0	33	36,0	16,5	C-TH 12-LR	2,49
		15	G 1/2 A	27	30	30	21,5	37	45,0	21,5	C-TH 15-LR	4,14
		18	G 1/2 A	32	30	32	21,0	37	45,0	21,5	C-TH 18-LR	4,65
	160	22	G 3/4 A	36	36	41	27,5	44	53,0	24,0	C-TH 22-LR	7,65
		28	G 1 A	41	46	50	32,0	49	66,0	30,5	C-TH 28-LR	12,88
		35	G 1 1/4 A	50	55	60	36,0	58	76,0	35,5	C-TH 35-LR	20,79
		42	G 1 1/2 A	60	60	70	40,5	63	87,0	40,5	C-TH 42-LR	30,23
S	400	6	G 1/4 A	17	19	22	16,5	31	30,0	14,0	C-TH 6-SR	1,54
		8	G 1/4 A	19	19	22	16,5	31	30,0	14,0	C-TH 8-SR	1,66
		10	G 3/8 A	22	24	27	18,5	35	36,0	16,5	C-TH 10-SR	2,69
		12	G 3/8 A	24	27	27	20,0	36	36,0	16,5	C-TH 12-SR	2,82
		14	G 1/2 A	27	30	32	22,5	40	45,0	21,5	C-TH 14-SR	4,58
		16	G 1/2 A	30	30	32	22,0	40	45,0	21,5	C-TH 16-SR	4,93
		20	G 3/4 A	36	36	41	26,5	48	53,0	24,0	C-TH 20-SR	8,47
	250	25	G 1 A	46	46	50	31,5	56	66,0	30,5	C-TH 25-SR	15,56
		30	G 1 1/4 A	50	55	60	37,0	64	76,0	34,5	C-TH 30-SR	23,08
		38	G 1 1/2 A	60	60	70	41,5	72	87,0	40,5	C-TH 38-SR	34,43