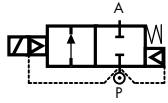


2/2 WAY PILOT OPERATED SOLENOID VALVE, G 1/4" ÷ G 1"



normally closed

TYPE: B203/204/205/206/222

TECHNICAL SPECIFICATIONS

Media: water, oil, air

Media temperature: $-10^{\circ}\text{C} \div +90^{\circ}\text{C}$

Ambient temperature: $-10^{\circ}\text{C} \div +50^{\circ}\text{C}$

Body material: brass (CW617N EN 12165)

Operator material: stainless steel

Operator seal material: NBR

Diaphragm material: NBR

Coil power: AC 10VA (holding)

AC 16VA (inrush)

DC 7W

Protection class: IP 65 (with connector)

OPTIONS

Normally open (e.g. code RB206DBY)

Manual override (e.g. code B204DBZM)

Speed control screw (only for B206DBYV and B222DBYV)

EPDM seal for air and hot water MAX 120°C (e.g. code B204DEZ)

FKM seal for air, water, oil MAX 130°C (e.g. code B204DVZ)

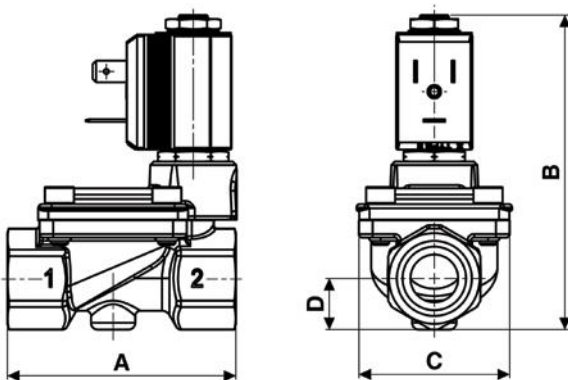
Version with operator $\varnothing 14,5$ and coil type 7000 available upon request (e.g. code D205DBZ)

Version for vacuum OPD min $-0,2$ bar / max $-0,95$ bar (e.g. code D203DBZL, c/w operator $\varnothing 14,5$ only)



SELECTION TABLE

VALVE	G connection	nominal diameter	flow rate Kvs	OPD			COILS	
				min	max AC	max DC	code	[Volts/Hz]
code	[ISO 228 G]	[mm]	[l/min]	[barg]	[barg]	[barg]	code	[Volts/Hz]
B203DBZ	1/4"	13	26	0.3	16	16	2250	24v DC
B204DBZ	3/8"	13	55	0.3	16	16	2200	24v 50/60Hz
B205DBZ	1/2"	13	63	0.3	16	16	2400	110v 50Hz - 120v 60Hz
B206DBX compact	3/4"	21	100	0.3	16	16	2600	200v 50Hz - 220v 60Hz
B206DBY	3/4"	25	140	0.3	16	16	2700	230v 50Hz - 240v 60Hz
B222DBY	1"	25	160	0.3	16	16		



Flow direction overseat 1 → 2

DIMENSIONS & WEIGHTS

G connection	A	B	C	D	weight
[ISO 228 G]	[mm]	[mm]	[mm]	[mm]	[kg]
1/4"	67	90	45.6	15	0.4
3/8"	67	90	45.6	15	0.4
1/2"	67	90	45.6	15	0.4
3/4" compact	82	105	51.6	20.25	0.6
3/4"	96	115	72	23	1.2
1"	96	115	72	23	1.2