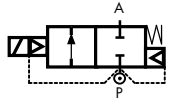


2/2 WAY PILOT OPERATED VALVE WITH ASSISTED LIFT, G 1/4" ÷ G 1"



normally closed

TYPE: D187/188/189/190/192/293

TECHNICAL SPECIFICATIONS

Media:	water, oil, air
Media temperature:	-10°C ÷ +90°C
Ambient temperature:	-10°C ÷ +50°C
Body material:	brass (CW617N EN 12165)
Operator material:	stainless steel
Operator seal material:	FKM
Main seal and diaphragm material:	NBR
Coil power:	AC 18VA (holding) AC 36VA (inrush) DC 14w
Protection class:	IP 65 (with connector)

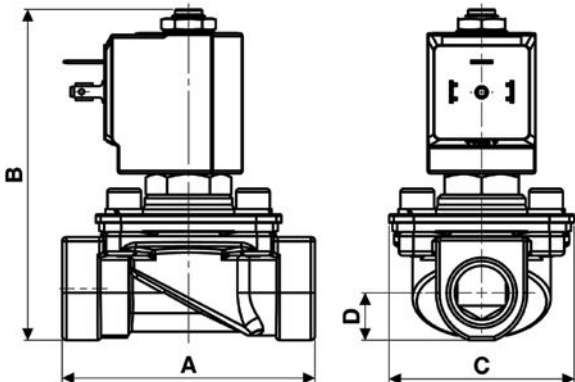
OPTIONS

- EPDM seal for air and hot water MAX 120°C (e.g. code D188DEW)
- FKM seal for air, water, oil MAX 130°C (e.g. code D187DVW)
- DC MAX 6 barg for D187 ÷ 192 (e.g. code C D187DBW)
- DC MAX 3,5 barg for D293 (e.g. code C D293DBY)
- (*) Speed control screw as standard for type "D293"
- Version for vacuum OPD min 0 bar / max -0,95 bar (e.g. code D190DBWL, flow direction underseat 2 → 1)



SELECTION TABLE

VALVE	G connection	nominal diameter	flow rate Kvs	OPD			COILS	
				min	max AC	max DC	code	[Volts/Hz]
code	[ISO 228 G]	[mm]	[l/min]	[barg]	[barg]	[barg]	code	[Volts/Hz]
D187DBW	1/4"	15	50	0	16	•	7200	24v 50/60Hz
D188DBW	3/8"	15	60	0	16	•	7400	110v 50Hz - 120v 60Hz
D189DBW	1/2"	15	65	0	16	•	7600	200v 50Hz - 220v 60Hz
D190DBW	3/4"	15	80	0	16	•	7700	230v 50Hz - 240v 60Hz
D192DBW compact	1"	15	85	0	16	•		
D293DBY (*)	1"	25	140	0	16	•		



DIMENSIONS & WEIGHTS

G connection	A	B	C	D	weight
[ISO 228 G]	[mm]	[mm]	[mm]	[mm]	[kg]
1/4"	75	108	55	14	0.5
3/8"	75	108	55	14	0.5
1/2"	75	108	55	14	0.5
3/4"	85	108	55	21.5	0.8
1" compact	85	108	55	21.5	0.7
1"	100	113	70	21.5	1.2

Flow direction overseat 1 → 2