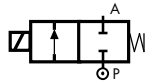


2/2 WAY DIRECT ACTING SOLENOID VALVE, G 1/4"



normally closed

TYPE: D249

TECHNICAL SPECIFICATIONS

Media: water, oil, air

Media temperature: $-10^{\circ}\text{C} \div +130^{\circ}\text{C}$

Ambient temperature: $-10^{\circ}\text{C} \div +50^{\circ}\text{C}$

Body material: brass (CW617N EN 12165)

Operator material: stainless steel

Seal material: FKM

Coil power: AC 18vA (holding)

AC 36vA (inrush)

DC 14w

Protection class: IP 65 (with connector)

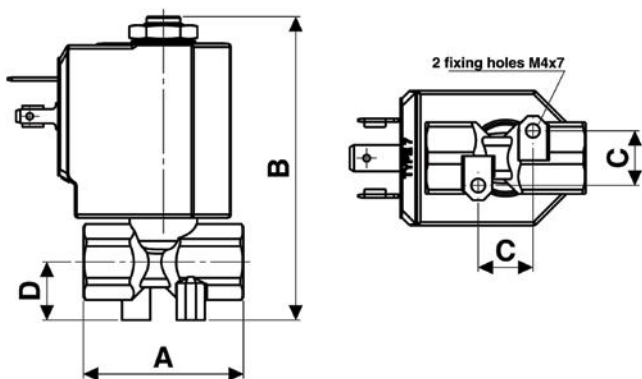
NOTES

- A minimum batch may be required.



SELECTION TABLE

VALVE	G connection	nominal diameter	flow rate Kvs	OPD			COILS	
				min	max AC	max DC	code	[Volts/Hz]
code	[ISO 228 G]	[mm]	[l/min]	[barg]	[barg]	[barg]	code	[Volts/Hz]
D249DVD	1/4"	1.7	1.5	0	25	24	7250	24v DC
D249DVF	1/4"	2.2	2.4	0	18	16	7200	24v 50/60Hz
D249DVH ¹	1/4"	3.0	4.5	0	10	6	7400	110v 50/60Hz
							7600	200v 50Hz - 220v 60Hz
							7700	230v 50Hz - 240v 60Hz



Flow direction overseat 1 → 2

DIMENSIONS & WEIGHTS

G connection	A	B	C	D	weight
[ISO 228 G]	[mm]	[mm]	[mm]	[mm]	[kg]
1/4"	38	72.1	13	13.8	0.18