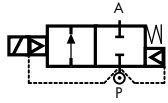


2/2 WAY PILOT OPERATED VALVE WITH ASSISTED LIFT, G 1/4" ÷ G 1/2"



normally closed

TYPE: D884/885/886

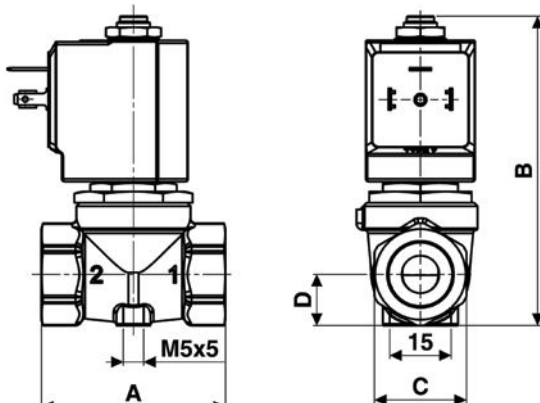
TECHNICAL SPECIFICATIONS

Media: water, oil, air
Media temperature: -10°C ÷ +130°C
Ambient temperature: -10°C ÷ +50°C
Body material: brass (CW617N EN 12165)
Operator material: stainless steel
Operator seal material: FKM
Main seal and diaphragm material: FKM
Coil power: AC 18VA (holding)
AC 36VA (inrush)
DC 14w
Protection class: IP 65 (with connector)



SELECTION TABLE

VALVE	G connection	nominal diameter	flow rate Kvs	OPD			COILS	
				min	max AC	max DC	code	[Volts/Hz]
code	[ISO 228 G]	[mm]	[l/min]	[barg]	[barg]	[barg]	code	[Volts/Hz]
D884DVU	1/4"	10.5	21	0	16	6	7250	24v DC
D885DVU	3/8"	10.5	24	0	16	6	7200	24v 50/60Hz
D886DVU	1/2"	10.5	25	0	16	6	7400	110v 50Hz - 120v 60Hz
							7600	200v 50Hz - 220v 60Hz
							7700	230v 50Hz - 240v 60Hz



Flow direction overseat 1 → 2

DIMENSIONS & WEIGHTS

G connection	A	B	C	D	weight
[ISO 228 G]	[mm]	[mm]	[mm]	[mm]	[kg]
1/4"	54	89	Hex 27	15	0.45
3/8"	54	89	Hex 27	15	0.4
1/2"	54	89	Hex 27	15	0.4