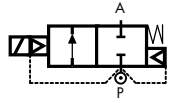


2/2 WAY PILOT OPERATED PISTON VALVE, G 1/4" ÷ G 1/2"



normally closed

HIGH PRESSURE

TYPE: D634/635/636DTT1

TECHNICAL SPECIFICATIONS

Media [®] :	water, oil, liquids
Media temperature:	+10°C ÷ +130°C
Ambient temperature:	-10°C ÷ +70°C
Body material:	brass (CW617N EN 12165)
Orifice material:	stainless steel (1.4305 EN 10088/AISI 303)
Operator material:	stainless steel
Seal material:	PTFE
Coil power:	AC 25VA (holding) AC 50VA (inrush) DC 22w
Protection class:	IP 65 (with connector)

OPTIONS

Standard 7000 series coils may be used (AC 18VA - DC 14w), however the maximum pressure rating will be reduced. For further details please contact M&M Sales Department.

NOTES

- Not 100% leak-proof when used with air/gases. Approximate leak rate is 1,5 ml/min at max OPD.

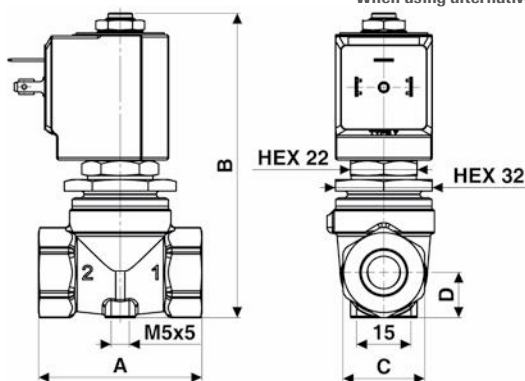


140 barg

SELECTION TABLE

VALVE	G connection	nominal diameter	flow rate Kvs	OPD			COILS	
				min	max AC	max DC	high power - class "H"	
code	[ISO 228 G]	[mm]	[l/min]	[barg]	[barg]	[barg]	code	[Volts/Hz]
D634DTT1	1/4"	10	21	0.3	140	35	72Z1	24v DC
D635DTT1	3/8"	10	24	0.3	140	35	72K1	24v 50/60Hz
D636DTT1	1/2"	10	25	0.3	140	35	74K1	110v 50Hz - 120v 60Hz
							77K1	230v 50Hz - 240v 60Hz

ATTENTION: When high pressure valves are supplied without a coil, their nameplates display the max. OPD of the valve when equipped with an AC (25VA) or DC (22w) coil (as shown in the SELECTION TABLE above).
When using alternative coil power ratings please ensure to request separately the appropriate nameplate at time of order.



Flow direction overseat 1 → 2

DIMENSIONS & WEIGHTS

G connection	A	B	C	D	weight
[ISO 228 G]	[mm]	[mm]	[mm]	[mm]	[kg]
1/4"	54	100	HEX 27	15	0.5
3/8"	54	100	HEX 27	15	0.45
1/2"	54	100	HEX 27	15	0.45