

POSITION MODULE FOR PISTON ACTUATED VALVES

M&M position modules are available with mechanical switches or with inductive switches and they can be fitted to all M&M standard Piston Valves.

TECHNICAL DATA

Electrical position feedback: mechanical limit switches or inductive limit switches

Body/cover material: PA6 + 30% FG

Connector material: copper-zinc alloy / aluminium alloy / cast zinc – nickel plating treatment

Electrical connection: connector M16 – 10 poles / wire \varnothing 5–9 mm

Ambient temperature: $-10 \div +60^{\circ}\text{C}$

Protection class: IP65

TECHNICAL DATA OF MECHANICAL SWITCHES

No. of switches: 2

Type of switch: change-over contacts (NC and/or NO)

Contacts material: gold or silver

Max tension: connector 230Vac with dirt level 2 / 160Vac with dirt level 3

Max current: 6A with resistive load - 2A with inductive load

TECHNICAL DATA OF INDUCTIVE SWITCHES

No. of switches: 2

Output version: normally open contact (PNP)

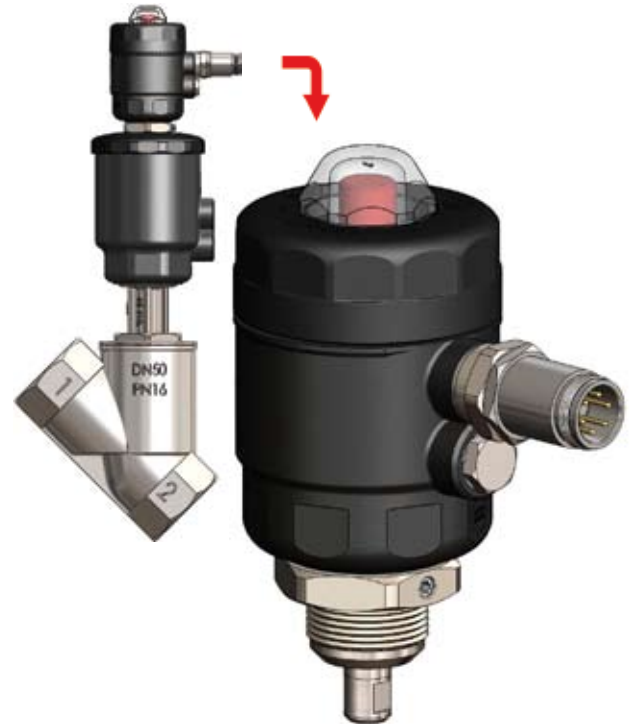
Power supply: $12 \div 24\text{Vdc}$

Max load current: 50mA per output

Power consumption: 13mA max at 24Vdc without load

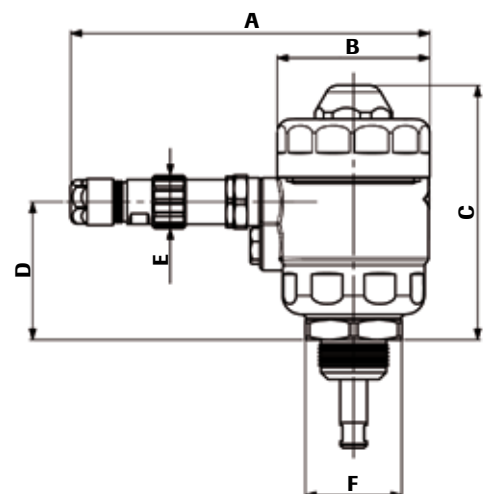
BENEFITS

Actuator housing rotation 360°



SELECTION TABLE

Module with mechanical switches	Actuator \varnothing
Code	[mm]
857 030-	63/90
857 040-	45
Module with inductive switches	Actuator \varnothing
Code	[mm]
857 031-	63/90
857 041-	45



DIMENSIONS & WEIGHTS

Module	\varnothing Att.	A	B	C	D	E	F	Peso
[code]	[mm]	[mm]	[mm]	[mm]	[mm]	[mm]	[mm]	[kg]
All	45/63/90	134	\varnothing 57	95	51,5	\varnothing 20	HEX 36	0.430