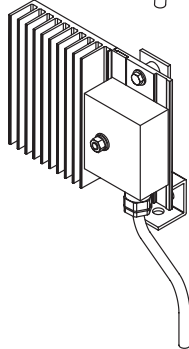
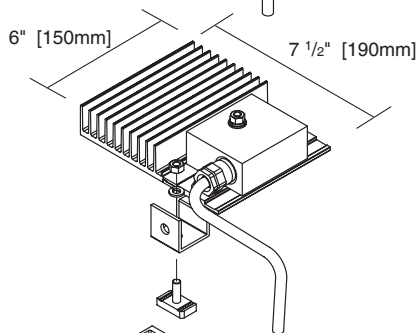
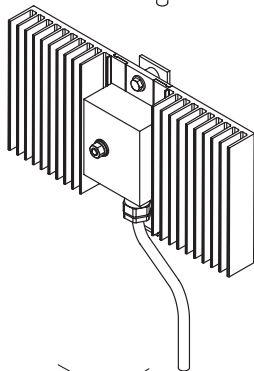
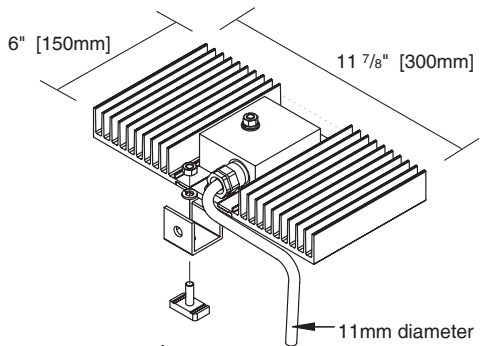


CW Series Finned Heater

Installation Instructions



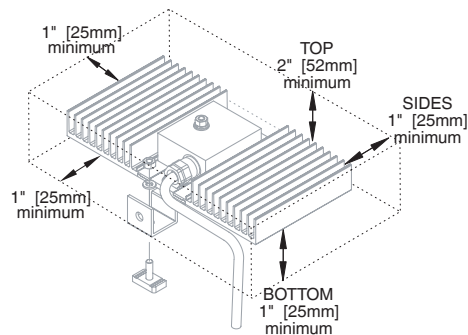
The CW heater with convection fins can be mounted in an enclosure horizontally or vertically using the supplied hardware. The mounting can be done on the enclosure bracket or rail if applicable.

Route the power cord to an approved junction box.

Models Covered

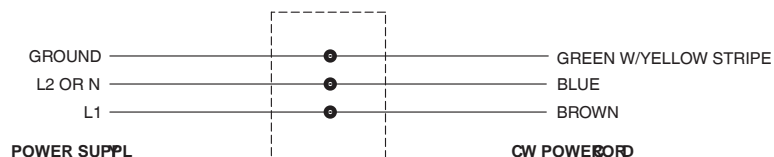
CW01-2C	CW01-1C
CW02-2C	CW02-1C
CW07-2C	CW07-1C
CW11-2C	
CW12-2C	
CW17-2C	

Typical Clearance



CAUTION: All electrical connections and installations must comply with the requirements of all applicable national and local codes. If there is a conflict between these instructions and the requirements of applicable codes the requirements of the codes must be followed.

Wiring Diagram



● = CUSTOMER CONNECTION

©2004 O'Brien Corporation • QLT-CWFIN-INST • 1 FEB 04



ISO 9001:2000
REGISTERED

Worldwide Offices:

USA: 1900 Crystal Industrial Court • St. Louis, Missouri 63114 • Ph: 314/236-2020 • Fax: 314/236-2080

BELGIUM: Mallekotstraat 65 • B 2500 Lier, Belgium • Ph (+32) 3 491 9875 • Fax (+32) 3 491 9876

CANADA: Suite 400 • 609 14th Street NW • Calgary, AB T2N 2A1 • Ph 403/730-7277 • Fax 403/730-7279

obcorp@obcorp.com • www.obcorp.com