

THOR SPLIT BODY PN 16-40 - ANSI 150-300 IN ACCIAIO INOX STAINLESS STEEL THOR SPLIT BODY PN 16-40 - ANSI 150-300



Esecuzione standard

Sfera flottante, passaggio totale
Tenuta soft-seat TFM 1600
Norme per flange d'attacco EN 1092-1 ed. 2008; ANSI B 16.5
Temperature di utilizzo vedi diagramma pressione temperatura
Classe di pressione: PN16-40; ANSI 150-300
Fluido intercettato: aria, acqua, gas, prodotti petroliferi e petrolchimici, fluidi aggressivi.
Antistatic device EN12662-2
Tenuta stelo: pacco a V di serie in TFM 1600
Tenuta addizionale su stelo con O-ring FKM
Stelo anti Blow-out
Foratura piano per attuatore a norma ISO 5211
Angolo di chiusura >7°

Esecuzione speciali

Per altri tipi di flangiature contattare il nostro ufficio commerciale.
Guarnizioni di tenuta in:PTFE caricato vetro (RPTFE-GF), PTFE caricato carbografite (RPTFE-CF). Per altri tipi di materiale contattare il nostro ufficio commerciale
Tenuta integrale avvolgente in PTFE
Esecuzione monodirezionale con foro di compensazione della pressione nella sfera
Leva inox
Dadi e molle stelo inox
Per esecuzioni speciali con materiali (corpo/sfera/stelo) diversi dallo standard contattare il nostro ufficio commerciale

Certificazioni

Conforme alla direttiva Europea 97/23 EC PED
Conforme alla direttiva ATEX 94/9/CE
Fugitive Emission UNI EN ISO 15848:2006
TA-LUFT VDI 2440:2000
FIRE SAFE: API 607:2005/ISO 10497:2010 - API6FA:1999
API 6D: certificato n°6D-1007 solo per valvole con scartamento ANSI

Norme di progettazione

Spessori corpo in accordo a: ASME B16.34, ASME VIII div.1, EN 12516.
API 6D
Materiali e rating in accordo ad ASME B16.34 per valvole ANSI ed EN 12516 per valvole PN

Standard features

Floating ball, full bore
Soft-seat seal TFM 1600
Standard for connecting flanges: EN 1092-1 ed. 2008; ANSI B16.5
Operating temperature see temperature pressure diagram
Pressure class: PN16-40 - ANSI 150-300
Intercepted fluid: air, water, gas, petroleum and petrochemical products, aggressive fluids
Antistatic device EN12662-2
Stem seal: TFM 1600 V-ring packing
Additional seal on stem with FKM O-ring
Anti Blow-out stem
Actuator connection as per standard ISO 5211
Closing angle >7°

Special features on request

For other flange types please contact our sales department.
Sealing in: PTFE reinforced with glass (RPTFE-GF), PTFE reinforced with carbon-graphite (RPTFE-CF). For other types of materials please contact our sales department
PTFE cavity filler seat
Mono-directional version with pressure-relief hole in the ball
Stainless steel lever
Stainless steel Stem nuts and springs
For special versions in materials different from the standard (body, ball, stem), please contact our sales department.

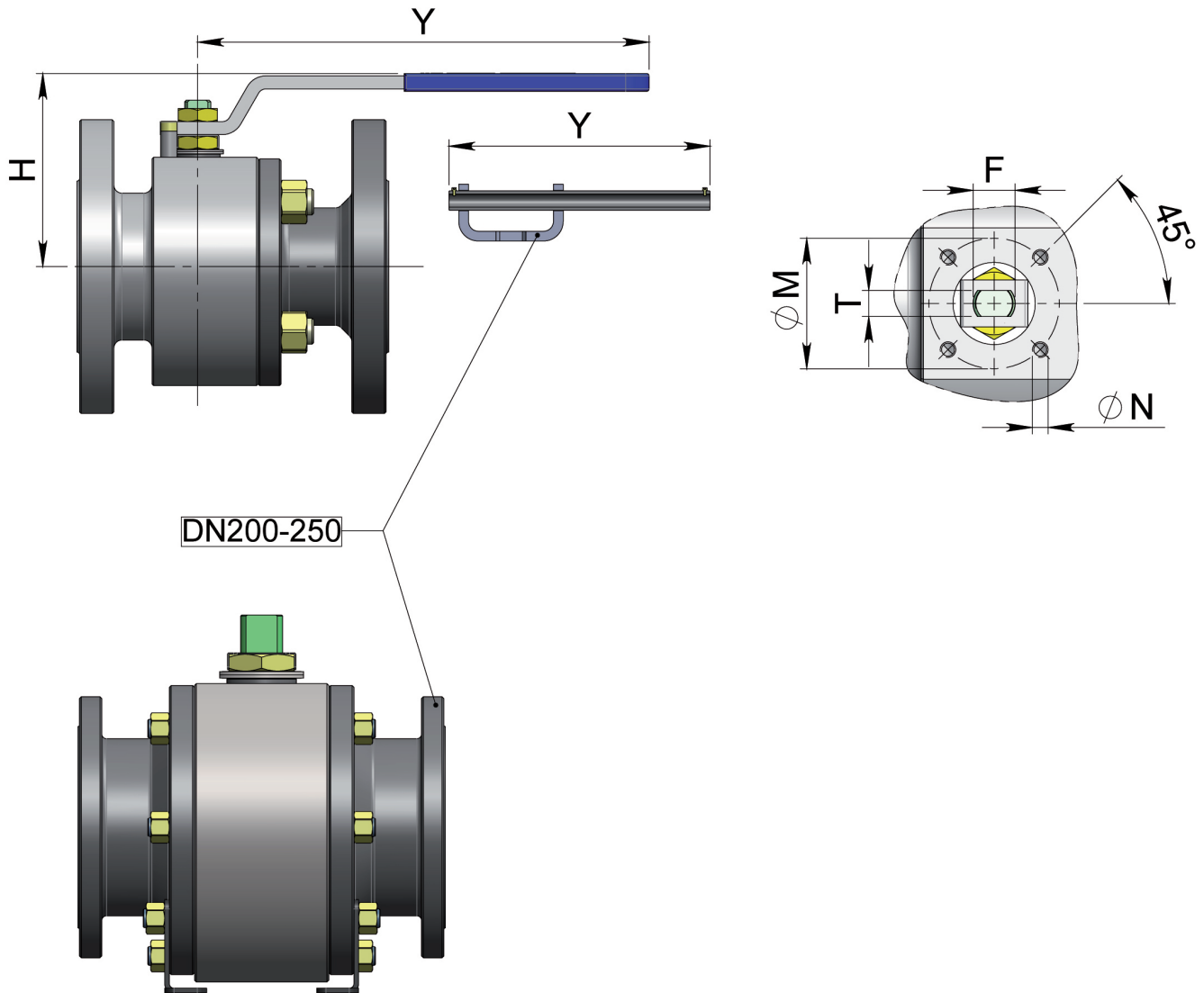
Certifications

In compliance with European Directive 97/23 EC PED
In compliance with ATEX 94/9/CE Directive (on request)
Fugitive Emission UNI EN ISO 15848:2006
TA-LUFT VDI 2440:2000
FIRE SAFE: API 607:2005/ISO 10497:2010 - API6FA:1999
API 6D: certificate no 6D-1007 only for valves with ANSI face to face

Engineering standard

Body thickness in compliance with: ASME B16.34, ASME VIII div.1, EN 12516
API 6D
Materials and rating in compliance with ASME B16.34 for ANSI valves and EN 12516 for PN valves

THOR SPLIT BODY ANSI 150-300 PASSAGGIO RIDOTTO
THOR SPLIT BODY ANSI 150-300 REDUCED BORE



THOR split body

TABELLA DIMENSIONI DIMENSIONS TABLE

MISURA SIZE	DN 20x15	DN 25x20	DN 32x25	DN 40x32	DN 50x40	DN 65x50	DN 80x65	DN 100x80	DN 125x100	DN 150x100	DN 200x150	DN 250x200
H	70	73	86	91	108	117	142	149	198	198	274	321
Y	140	140	150	150	275	275	350	350	450	450	800	800
\varnothing M	36	36	42	42	50	50	70	70	102	102	140	140
\varnothing N	M5	M5	M5	M5	M6	M6	M8	M8	M10	M10	M16	M16
F/T	10/6	10/6	12/8	12/8	16/10	16/10	22/14	22/14	30/18	30/18	45/30	52/35
ATT. ISO	F03	F03	F04	F04	F05	F05	F07	F07	F10	F10	F14	F14

THOR SPLIT BODY ANSI 150-300 PASSAGGIO RIDOTTO THOR SPLIT BODY ANSI 150-300 REDUCED BORE

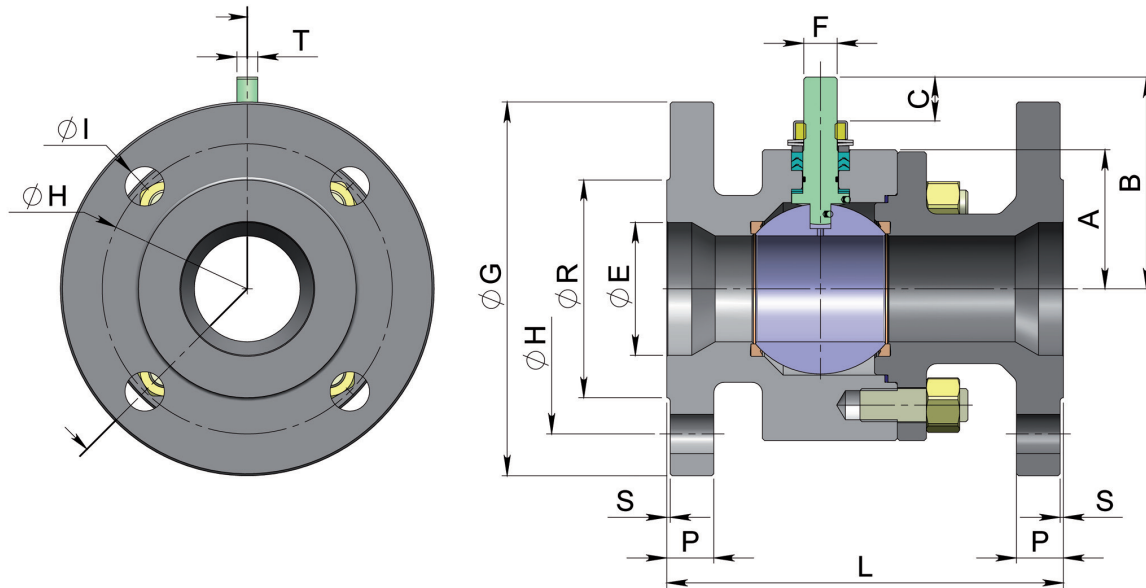


TABELLA DIMENSIONI DIMENSIONS TABLE

MISURA SIZE	ØE	ANSI	A	B	C	ØG	ØR	S	P	ØH	N° FORI	ØI	Kg	L
DN 20x15	19	Ansi 150	32	52	10	100	43	1.6	13	69.9	4	16	2.9	117 (3)
DN 20x15	19	Ansi 300	32	52	10	115	43	1.6	16.6	82.6	4	19	4.1	152 (3)
DN 25x20	25	Ansi 150	35	55	10	110	51	1.6	14.5	79.4	4	16	3.9	127 (3)
DN 25x20	25	Ansi 300	35	55	10	125	51	1.6	18	88.9	4	19	5.2	165 (3)
DN 32x25	32	Ansi 150	42	68	15	115	63.5	1.6	16	89	4	16	5.1	140 (3)
DN 32x25	32	Ansi 300	42	68	15	135	63.5	1.6	19.5	98.4	4	19	7	178 (3)
DN 40x32	38	Ansi 150	47	73	15	125	73	1.6	16	98.4	4	16	7.7	165 (3)
DN 40x32	38	Ansi 300	47	73	15	155	73	1.6	21	114.3	4	22	10.8	190 (3)
DN 50x40	51	Ansi 150	58	93	21	150	92	1.6	16	120.6	4	19	11.8	178 (4)
DN 50x40	51	Ansi 300	58	93	21	165	92	1.6	21	127	8	19	14.1	216 (4)
DN 65x50	64	Ansi 150	67	102	21	180	104.8	1.6	22.6	139.7	4	19	18.3	191 (4)
DN 65x50	64	Ansi 300	67	102	21	190	104.8	1.6	26.1	149.2	8	19	21.5	241 (4)
DN 80x65	76	Ansi 150	83	130.5	28	190	127	1.6	24	152.4	4	19	25.6	203 (4)
DN 80x65	76	Ansi 300	83	103.5	28	210	127	1.6	29	168.3	8	22	33.6	282 (4)
DN 100x80	102	Ansi 150	90	137.5	28	230	157.2	1.6	24.6	190.5	8	19	35.9	229 (4)
DN 100x80	102	Ansi 300	96	137.5	28	255	157.2	1.6	32.6	200	8	22	50.5	305 (4)
DN 125x100	118	Ansi 150	111	172	35	255	185.7	1.6	24	215.9	8	22	53	254 (3)
DN 125x100	118	Ansi 300	111	172	35	280	185.7	1.6	35	235	8	22	78.9	381 (3)
DN 150x100	152	Ansi 150	111	172	35	280	216	1.6	25.6	241.3	8	22	67.7	394 (4)
DN 150x100	152	Ansi 300	111	172	35	320	216	1.6	37.6	270	12	22	91.4	403 (4)
DN 200x150	203	Ansi 150	154	227.5	40.5	345	269.9	1.6	29	298.5	8	22	151.5	457 (4)
DN 250x200	254	Ansi 150	188	274	44.8	405	323.8	1.6	31	362	12	25.4	246	533 (4)

(3) ANSI B16.10
(4) B16.10 / API6D

THOR SPLIT BODY ANSI 150-300 IN ACCIAIO INOX - PASSAGGIO RIDOTTO STAINLESS STEEL THOR SPLIT BODY ANSI 150-300 - REDUCED BORE

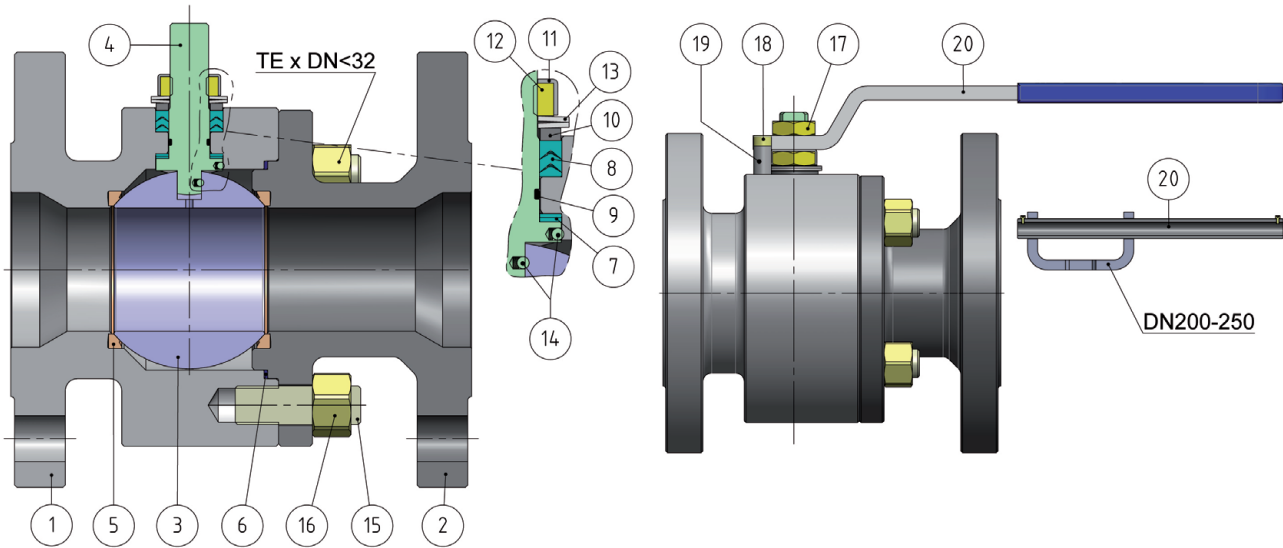


TABELLA DEI MATERIALI MATERIALS TABLE ANSI 150-300 DA BARRA FROM BAR

N°	Descrizione Description	F304 stainless steel	F316 stainless steel	F51 Duplex stainless steel
1	Corpo Body	ASTM A182 F304 / A479TP.304 (1.4301 / X5CrNi18-10)	ASTM A 182 F316 / A479TP.316 (1.4401 / X5CrNiMo 17-12-2)	ASTM A182 F51 (UNS 31803)
2	Terminale Connector			
3	Sfera Ball	ASTM A351 CF8 (*) (1.4308/Gx5CrNi19-10)	ASTM A351 CF8M (1.4408/Gx5CrNiMo19-12-2)	ASTM A182 F51 (UNS 31803)/A995 CD3MN (UNS J92205)
4	Stelo Stem	A564 TP.630 (17-4PH)	A564 TP.630 (17-4PH)	ASTM A 182 F51 (UNS 31803)
5	Seggio Seat	TFM1600 (.)	TFM1600 (.)	TFM1600 (.)
7	Tenuta inferiore stelo Stem lower sealing	TFM1600 (.)	TFM1600 (.)	TFM1600 (.)
8	Guarnizioni tipo Chevron Chevron seals	TFM1600 (.)	TFM1600 (.)	TFM1600 (.)
6	Guarnizione corpo terminale Body-Connector gasket	GRAFOIL	GRAFOIL	GRAFOIL
9	O-ring stelo Stem o-ring	FKM (.)	FKM (.)	FKM (.)
10	Anello premi guarnizione Packing gland ring	304 S.S.	304 S.S.	304 S.S.
11	Piastra blocca dado Stop nut plate	304 S.S.	304 S.S.	304 S.S.
12	Dado stelo Stem nut	UNI 3740-1 6S Zincato-Galvanized (xx)	UNI 3740-1 6S Zincato-Galvanized (xx)	A2-70 UNI 3740 (304 S.S.)
13	Molle a tazza Springs washer	50CrV4 Zincato-Galvanized (xx)	50CrV4 Zincato-Galvanized (xx)	301 S.S.
14	Dispositivo antistatico Antistatic device	316 S.S.	316 S.S.	316 S.S.
15	Tiranti Stud bolt	ASTM A193-B8	ASTM A193-B8	ASTM A193-B8
16	Dadi Nut	ASTM A194-Gr.8	ASTM A194-Gr.8	ASTM A194-Gr.8
17	Controdado Lock nut	UNI 3740-1 6S Zincato-Galvanized	UNI 3740-1 6S Zincato-Galvanized	UNI 3740-1 6S Zincato-Galvanized
18	Vite di fermo Holder screw	A2-70 UNI 3740 (304 S.S.)	A2-70 UNI 3740 (304 S.S.)	A2-70 UNI 3740 (304 S.S.)
19	Fermo di posizione Holder screw	Acciaio al carbonio zincato (x) Carbon steel galvanized (x)	Acciaio al carbonio zincato (x) Carbon steel galvanized (x)	304 s.s.
20	Leva Lever	Fe37 zincato-galvanized (x)	Fe37 zincato-galvanized (x)	304 s.s.

A richiesta disponibile in: Available on request:

(*): A351 CF8M

(x): 304 s.s.

(xx): 301 s.s.

(.): Altri materiali disponibili a richiesta Other materials available on request

THOR SPLIT BODY ANSI 150-300 IN ACCIAIO INOX- PASSAGGIO RIDOTTO
STAINLESS STEEL THOR SPLIT ANSI 150-300 - REDUCED BORE

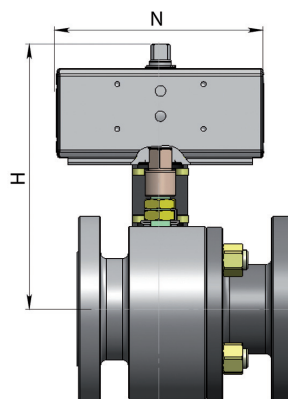
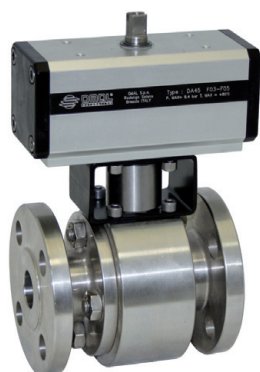


CODICI VALVOLE ASSE NUDO (V_) E CON LEVA (L_) IN ACCIAIO INOX
STAINLESS STEEL BARE SHAFT (V_) AND LEVER (L_) OPERATED VALVE CODE

misura size	ANSI	F304 Stainless steel	F316 Stainless steel	F51 Duplex Stainless steel
DN 20x15	Ansi 150	V/LT135104AAB0ADQNV000	V/LT135104ABA0ADQNV000	V/LT135104AID0CDQNV000
DN 20x15	Ansi 300	V/LT135204AAB0ADQNV000	V/LT135204ABA0ADQNV000	V/LT135204AID0CDQNV000
DN 25x20	Ansi 150	V/LT136104AAB0ADQNV000	V/LT136104ABA0ADQNV000	V/LT136104AID0CDQNV000
DN 25x20	Ansi 300	V/LT136204AAB0ADQNV000	V/LT136204ABA0ADQNV000	V/LT136204AID0CDQNV000
DN 32x25	Ansi 150	V/LT137104AAB0ADQNV000	V/LT137104ABA0ADQNV000	V/LT137104AID0CDQNV000
DN 32x25	Ansi 300	V/LT137204AAB0ADQNV000	V/LT137204ABA0ADQNV000	V/LT137204AID0CDQNV000
DN 40x32	Ansi 150	V/LT138104AAB0AEQNV000	V/LT138104ABA0AEQNV000	V/LT138104AID0CEQNV000
DN 40x32	Ansi 300	V/LT138204AAB0AEQNV000	V/LT138204ABA0AEQNV000	V/LT138204AID0CEQNV000
DN 50x40	Ansi 150	V/LT139104AAB0AEQNV000	V/LT139104ABA0AEQNV000	V/LT139104AID0CEQNV000
DN 50x40	Ansi 300	V/LT139204AAB0AEQNV000	V/LT139204ABA0AEQNV000	V/LT139204AID0CEQNV000
DN 65x50	Ansi 150	V/LT140104AAB0AEQNV000	V/LT140104ABA0AEQNV000	V/LT140104AID0CEQNV000
DN 65x50	Ansi 300	V/LT140204AAB0AEQNV000	V/LT140204ABA0AEQNV000	V/LT140204AID0CEQNV000
DN 80x65	Ansi 150	V/LT141104AAB0AEQNV000	V/LT141104ABA0AEQNV000	V/LT141104AID0CEQNV000
DN 80x65	Ansi 300	V/LT141204AAB0AEQNV000	V/LT141204ABA0AEQNV000	V/LT141204AID0CEQNV000
DN 100x80	Ansi 150	V/LT142104AAB0AEQNV000	V/LT142104ABA0AEQNV000	V/LT142104AID0CEQNV000
DN 100x80	Ansi 300	V/LT142204AAB0AEQNV000	V/LT142204ABA0AEQNV000	V/LT142204AID0CEQNV000
DN 125x100	Ansi 150	V/LT143104AAB0AEQNV000	V/LT143104ABA0AEQNV000	V/LT143104AID0CEQNV000
DN 125x100	Ansi 300	V/LT143204AAB0AEQNV000	V/LT143204ABA0AEQNV000	V/LT143204AID0CEQNV000
DN 150x100	Ansi 150	V/LT174104AAB0AEQNV000	V/LT174104ABA0AEQNV000	V/LT164104AID0CEQNV000
DN 150x100	Ansi 300	V/LT174204AAB0AEQNV000	V/LT174204ABA0AEQNV000	V/LT164204AID0CEQNV000
DN 200x150	Ansi 150	V/LT145104AAB0AEQNV000	V/LT145104ABA0AEQNV000	V/LT145104AID0CEQNV000
DN 250x200	Ansi 150	V/LT146104AAB0AEQNV000	V/LT146104ABA0AEQNV000	V/LT146104AID0CEQNV000

THOR split body

THOR SPLIT BODY ANSI 150-300 IN ACCIAIO INOX CON ATTUATORE PNEUMATICO DOPPIO EFFETTO - PASSAGGIO RIDOTTO
STAINLESS STEEL THOR SPLIT BODY ANSI 150-300 WITH DOUBLE ACTING PNEUMATIC ACTUATOR - REDUCED BORE



CODICI ARTICOLI IN F304 - F316 STAINLESS STEEL

CORPO/BODY F304 STAINLESS STEEL	CORPO/BODY F316 STAINLESS STEEL	ATTUATORE actuator	KIT di montaggio connecting kit	MISURA size	ANSI	N	H	Kg
DT135104AAB0ADQNV000AABA0	DT135104ABA0ADQNV000AABA0	DA015401S	KCF033761	DN 20x15	Ansi 150	115	144.4	3.7
DT135204AAB0ADQNV000ACBA0	DT135204ABA0ADQNV000ACBA0	DA030401S	KCF033761	DN 20x15	Ansi 300	130	152.4	5.1
DT136104AAB0ADQNV000ACBA0	DT136104ABA0ADQNV000ACBA0	DA030401S	KCF033761	DN 25x20	Ansi 150	130	155.4	4.9
DT136204AAB0ADQNV000ACBA0	DT136204ABA0ADQNV000ACBA0	DA030401S	KCF033761	DN 25x20	Ansi 300	130	155.4	6.2
DT137104AAB0ADQNV000ACBA0	DT137104ABA0ADQNV000ACBA0	DA030401S	KCF033760	DN 32x25	Ansi 150	130	162.4	6.1
DT137204AAB0ADQNV000ACBA0	DT137204ABA0ADQNV000ACBA0	DA030401S	KCF033760	DN 32x25	Ansi 300	130	162.4	8
DT138104AAB0AEQNV000ADBA0	DT138104ABA0AEQNV000ADBA0	DA045402S	KCF043762	DN 40x32	Ansi 150	144	172.7	9
DT138204AAB0AEQNV000ADBA0	DT138204ABA0AEQNV000ADBA0	DA045402S	KCF043762	DN 40x32	Ansi 300	144	172.7	12.1
DT139104AAB0AEQNV000AEB00	DT139104ABA0AEQNV000AEB00	DA060402S	KCF043763	DN 50x40	Ansi 150	152	198.4	13.4
DT139204AAB0AEQNV000AEB00	DT139204ABA0AEQNV000AEB00	DA060402S	KCF043763	DN 50x40	Ansi 300	152	198.4	15.7
DT140104AAB0AEQNV000AFBA0	DT140104ABA0AEQNV000AFBA0	DA090401S	KCF053764	DN 65X50	Ansi 150	169	209.5	20.2
DT140204AAB0AEQNV000AHBA0	DT140204ABA0AEQNV000AHBA0	DA120401S	KCF053764	DN 65X50	Ansi 300	184	239.4	24.3
DT141104AAB0AEQNV000AHBA0	DT141104ABA0AEQNV000AHBA0	DA120401S	KCF053773	DN 80x65	Ansi 150	184	259.4	28.4
DT141204AAB0AEQNV000AIBA0	DT141204ABA0AEQNV000AIBA0	DA180401S	KCF073765	DN 80x65	Ansi 300	212	269	37
DT142104AAB0AEQNV000AIBA0	DT142104ABA0AEQNV000AIBA0	DA180401S	KCF073765	DN 100x80	Ansi 150	212	276	39.3
DT142204AAB0AEQNV000AJBA0	DT142204ABA0AEQNV000AJBA0	DA240401S	KCF073886	DN 100x80	Ansi 300	242	288.4	55.8
DT143104AAB0AEQNV000AKBA0	DT143104ABA0AEQNV000AKBA0	DA360401S	KCF103766	DN125X100	Ansi 150	264	338	60.2
DT143204AAB0AEQNV000ALBA0	DT143204ABA0AEQNV000ALBA0	DA480401S	KCF103766	DN125X100	Ansi 300	295	353	87.4
DT174104AAB0AEQNV000AKBA0	DT174104ABA0AEQNV000AKBA0	DA360401S	KCF103766	DN 150x100	Ansi 150	264	338	75
DT174204AAB0AEQNV000ALBA0	DT174204ABA0AEQNV000ALBA0	DA480401S	KCF103766	DN 150x100	Ansi 300	295	353	100
DT145104AAB0AEQNV000AMBA0	DT145104ABA0AEQNV000AMBA0	DA720401S	KCF143900	DN 200x150	Ansi 150	435	481	163.5
DT146104AAB0AEQNV000AQB00	DT146104ABA0AEQNV000AQB00	DAN1440401S	KCF143902	DN 250x200	Ansi 150	468	539	265.7

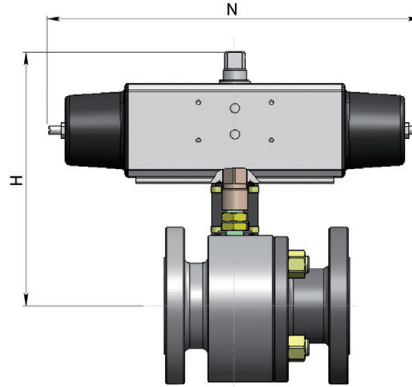
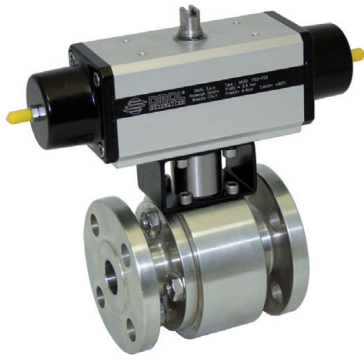
CODICI ARTICOLI IN F51 DUPLEX

CORPO/BODY F51 DUPLEX STAINLESS STEEL	ATTUATORE actuator	KIT di montaggio connecting kit	MISURA size	ANSI	N	H	Kg
DT135104AID0CDQNV000AABA0	DA015401S	KCF033761	DN 20x15	Ansi 150	115	144.4	3.7
DT135204AID0CDQNV000ACBA0	DA030401S	KCF033761	DN 20x15	Ansi 300	130	152.4	5.1
DT136104AID0CDQNV000ACBA0	DA030401S	KCF033761	DN 25x20	Ansi 150	130	155.4	4.9
DT136204AID0CDQNV000ACBA0	DA030401S	KCF033761	DN 25x20	Ansi 300	130	155.4	6.2
DT137104AID0CDQNV000ACBA0	DA030401S	KCF033760	DN 32x25	Ansi 150	130	162.4	6.1
DT137204AID0CDQNV000ACBA0	DA030401S	KCF033760	DN 32x25	Ansi 300	130	162.4	8
DT138104AID0CEQNV000ADBA0	DA045402S	KCF043762	DN 40x32	Ansi 150	144	172.7	9
DT138204AID0CEQNV000ADBA0	DA045402S	KCF043762	DN 40x32	Ansi 300	144	172.7	12.1
DT139104AID0CEQNV000AEB00	DA060402S	KCF043763	DN 50x40	Ansi 150	152	198.4	13.4
DT139204AID0CEQNV000AEB00	DA060402S	KCF043763	DN 50x40	Ansi 300	152	198.4	15.7
DT140104AID0CEQNV000AFBA0	DA090401S	KCF053764	DN 65X50	Ansi 150	169	209.5	20.2
DT140204AID0CEQNV000AHBA0	DA120401S	KCF053764	DN 65X50	Ansi 300	184	239.4	24.3
DT141104AID0CEQNV000AHBA0	DA120401S	KCF053773	DN 80x65	Ansi 150	184	259.4	28.4
DT141204AID0CEQNV000AIBA0	DA180401S	KCF073765	DN 80x65	Ansi 300	212	269	37
DT142104AID0CEQNV000AIBA0	DA180401S	KCF073765	DN 100x80	Ansi 150	212	276	39.3
DT142204AID0CEQNV000AJBA0	DA240401S	KCF073886	DN 100x80	Ansi 300	242	288.4	55.8
DT143104AID0CEQNV000AKBA0	DA360401S	KCF103766	DN125X100	Ansi 150	264	338	60.2
DT143204AID0CEQNV000ALBA0	DA480401S	KCF103766	DN125X100	Ansi 300	295	353	87.4
DT174104AID0CEQNV000AKBA0	DA360401S	KCF103766	DN 150x100	Ansi 150	264	338	75
DT174204AID0CEQNV000ALBA0	DA480401S	KCF103766	DN 150x100	Ansi 300	295	353	100
DT145104AID0CEQNV000AMBA0	DA720401S	KCF143900	DN 200x150	Ansi 150	435	481	163.5
DT146104AID0CEQNV000AQB00	DAN1440401S	KCF143902	DN 250x200	Ansi 150	468	539	265.7

THOR Split Body



THOR SPLIT BODY ANSI150-300 IN ACCIAIO INOX CON ATTUATORE PNEUMATICO SEMPLICE EFFETTO - PASSAGGIO RIDOTTO
STAINLESS STEEL THOR SPLIT BODY ANSI 150-300 WITH SPRING RETURN PNEUMATIC ACTUATOR - REDUCED BORE



CODICI ARTICOLI IN F304 - F316 STAINLESS STEEL

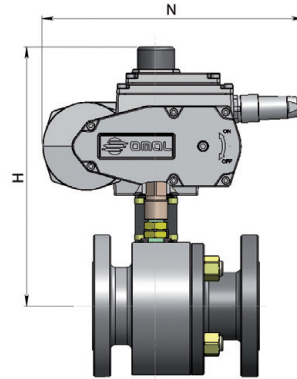
CORPO/BODY F304 STAINLESS STEEL	CORPO/BODY F316 STAINLESS STEEL	ATTUATORE actuator	KIT di montaggio connecting kit	MISURA size	ANSI	N	H	Kg
ST135104AAB0ADQNV000AACAO	ST135104ABA0ADQNV000AACAO	SR015401S	KCF033761	DN 20x15	Ansi 150	221	152.4	4.2
ST135204AAB0ADQNV000AAEAO	ST135204ABA0ADQNV000AAEAO	SR030402S	KCF043767	DN 20x15	Ansi 300	240	162.4	6.1
ST136104AAB0ADQNV000AAEAO	ST136104ABA0ADQNV000AAEAO	SR030402S	KCF043767	DN 25x20	Ansi 150	240	165.4	5.9
ST136204AAB0ADQNV000AAEAO	ST136204ABA0ADQNV000AAEAO	SR030402S	KCF043767	DN 25x20	Ansi 300	240	165.4	7.2
ST137104AAB0ADQNV000AAEAO	ST137104ABA0ADQNV000AAEAO	SR030402S	KCF043807	DN 32x25	Ansi 150	240	172.4	7.1
ST137204AAB0ADQNV000AAEAO	ST137204ABA0ADQNV000AAEAO	SR030402S	KCF043807	DN 32x25	Ansi 300	240	172.4	9
ST138104AAB0AEQNV000AAFAO	ST138104ABA0AEQNV000AAFAO	SR045401S	KCF053768	DN 40x32	Ansi 150	294	184.5	10.1
ST138204AAB0AEQNV000AAFAO	ST138204ABA0AEQNV000AAFAO	SR045401S	KCF053768	DN 40x32	Ansi 300	294	184.5	13.2
ST139104AAB0AEQNV000AAHAO	ST139104ABA0AEQNV000AAHAO	SR060401S	KCF053764	DN 50x40	Ansi 150	320	224.4	15.3
ST139204AAB0AEQNV000AAHAO	ST139204ABA0AEQNV000AAHAO	SR060401S	KCF053764	DN 50x40	Ansi 300	320	224.4	17.6
ST140104AAB0AEQNV000AAIAO	ST140104ABA0AEQNV000AAIAO	SR090401S	KCF073769	DN 65X50	Ansi 150	357	243	22.9
ST140204AAB0AEQNV000AAJAO	ST140204ABA0AEQNV000AAJAO	SR120401S	KCF073769	DN 65X50	Ansi 300	372	254.4	28.2
ST141104AAB0AEQNV000AAJAO	ST141104ABA0AEQNV000AAJAO	SR120401S	KCF073765	DN 80x50	Ansi 150	372	279.4	32.3
ST141204AAB0AEQNV000AAKAO	ST141204ABA0AEQNV000AAKAO	SR180401S	KCF103770	DN 80x50	Ansi 300	436	291	43
ST142104AAB0AEQNV000AAKAO	ST142104ABA0AEQNV000AAKAO	SR180401S	KCF103770	DN 100x80	Ansi 150	436	298	45.3
ST142204AAB0AEQNV000AALAO	ST142204ABA0AEQNV000AALAO	SR240401S	KCF103892	DN 100x80	Ansi 300	456	310	61.5
ST143104AAB0AEQNV000AAMA0	ST143104ABA0AEQNV000AAMA0	SR360401S	KCF104150	DN 25x100	Ansi 150	566	369	69
ST143204AAB0AEQNV000AANA0	ST143204ABA0AEQNV000AANA0	SR480401S	KCF123771	DN 25x100	Ansi 300	602	381.2	98.2
ST174104AAB0AEQNV000AAMA0	ST174104ABA0AEQNV000AAMA0	SR360401S	KCF104150	DN 150x100	Ansi 150	566	369	83.7
ST174204AAB0AEQNV000AANA0	ST174204ABA0AEQNV000AANA0	SR480401S	KCF123771	DN 150x100	Ansi 300	602	381.2	110.7
ST145104AAB0AEQNV000AAQAO	ST145104ABA0AEQNV000AAQAO	SR720401S	KCF143901	DN 200x150	Ansi 150	834	613	178.3
ST146104AAB0AEQNV000AASAO	ST146104ABA0AEQNV000AASAO	SRN1440E1608A	KCF163903	DN 250x200	Ansi 150	975	622.5	306

THOR split body

CODICI ARTICOLI IN F51 DUPLEX

CORPO/BODY F51 STAINLESS STEEL	ATTUATORE actuator	KIT di montaggio connecting kit	MISURA size	ANSI	N	H	Kg
ST135104AID0CDQNV000AACAO	SR015401S	KCF033761	DN 20x15	Ansi 150	221	152.4	4.2
ST135204AID0CDQNV000AAEAO	SR030402S	KCF043767	DN 20x15	Ansi 300	240	162.4	6.1
ST136104AID0CDQNV000AAEAO	SR030402S	KCF043767	DN 25x20	Ansi 150	240	165.4	5.9
ST136204AID0CDQNV000AAEAO	SR030402S	KCF043767	DN 25x20	Ansi 300	240	165.4	7.2
ST137104AID0CDQNV000AAEAO	SR030402S	KCF043807	DN 32x25	Ansi 150	240	172.4	7.1
ST137204AID0CDQNV000AAEAO	SR030402S	KCF043807	DN 32x25	Ansi 300	240	172.4	9
ST138104AID0CEQNV000AAFAO	SR045401S	KCF053768	DN 40x32	Ansi 150	294	184.5	10.1
ST138204AID0CEQNV000AAFAO	SR045401S	KCF053768	DN 40x32	Ansi 300	294	184.5	13.2
ST139104AID0CEQNV000AAHAO	SR060401S	KCF053764	DN 50x40	Ansi 150	320	224.4	15.3
ST139204AID0CEQNV000AAHAO	SR060401S	KCF053764	DN 50x40	Ansi 300	320	224.4	17.6
ST140104AID0CEQNV000AAIAO	SR090401S	KCF073769	DN 65X50	Ansi 150	357	243	22.9
ST140204AID0CEQNV000AAJAO	SR120401S	KCF073769	DN 65X50	Ansi 300	372	254.4	28.2
ST141104AID0CEQNV000AAJAO	SR120401S	KCF073765	DN 80x50	Ansi 150	372	279.4	32.3
ST141204AID0CEQNV000AAKAO	SR180401S	KCF103770	DN 80x50	Ansi 300	436	291	43
ST142104AID0CEQNV000AAKAO	SR180401S	KCF103770	DN 100x80	Ansi 150	436	298	45.3
ST142204AID0CEQNV000AALAO	SR240401S	KCF103892	DN 100x80	Ansi 300	456	310	61.5
ST143104AID0CEQNV000AAMA0	SR360401S	KCF104150	DN 25x100	Ansi 150	566	369	69
ST143204AID0CEQNV000AANA0	SR480401S	KCF123771	DN 25x100	Ansi 300	602	381.2	98.2
ST174104AID0CEQNV000AAMA0	SR360401S	KCF104150	DN 150x100	Ansi 150	566	369	83.7
ST174204AID0CEQNV000AANA0	SR480401S	KCF123771	DN 150x100	Ansi 300	602	381.2	110.7
ST145104AID0CEQNV000AAQAO	SR720401S	KCF143901	DN 200x150	Ansi 150	834	613	178.3
ST146104AID0CEQNV000AASAO	SRN1440E1608A	KCF163903	DN 250x200	Ansi 150	975	622.5	306

THOR SPLIT BODY ANSI 150-300 IN ACCIAIO INOX CON ATTUATORE ELETTRICO - PASSAGGIO RIDOTTO
STAINLESS STEEL THOR SPLIT BODY ANSI 150-300 WITH ELECTRIC ACTUATOR - REDUCED BORE



CODICI ARTICOLI IN F304 - F316 STAINLESS STEEL

CORPO/BODY F304 STAINLESS STEEL	CORPO/BODY F316 STAINLESS STEEL	ATTUATORE actuator	KIT di montaggio connecting kit	MISURA size	ANSI	N	H	Kg
ET135104AAB0ADQNV000AMEG0	ET135104ABA0ADQNV000AMEG0	EA0035A5C000	KCF053775	DN 20x15	Ansi 150	250	209	7.2
ET135204AAB0ADQNV000AMEG0	ET135204ABA0ADQNV000AMEG0	EA0035A5C000	KCF053775	DN 20x15	Ansi 300	250	209	8.4
ET136104AAB0ADQNV000AMEG0	ET136104ABA0ADQNV000AMEG0	EA0035A5C000	KCF053775	DN 25x20	Ansi 150	250	212	8.2
ET136204AAB0ADQNV000AMEG0	ET136204ABA0ADQNV000AMEG0	EA0035A5C000	KCF053775	DN 25x20	Ansi 300	250	212	9.5
ET137104AAB0ADQNV000AMEG0	ET137104ABA0ADQNV000AMEG0	EA0035A5C000	KCF053768	DN 32x25	Ansi 150	250	219	9.4
ET137204AAB0ADQNV000AMEG0	ET137204ABA0ADQNV000AMEG0	EA0035A5C000	KCF053768	DN 32x25	Ansi 300	250	219	11.3
ET138104AAB0AEQNV000AMGG0	ET138104ABA0AEQNV000AMGG0	EA0070A5C000	KCF053768	DN 40x32	Ansi 150	250	224	12.2
ET138204AAB0AEQNV000AMGG0	ET138204ABA0AEQNV000AMGG0	EA0070A5C000	KCF053768	DN 40x32	Ansi 300	250	224	15.3
ET139104AAB0AEQNV000AMGG0	ET139104ABA0AEQNV000AMGG0	EA0070A5C000	KCF053764	DN 50x40	Ansi 150	250	245	16.3
ET139204AAB0AEQNV000AMGG0	ET139204ABA0AEQNV000AMGG0	EA0070A5C000	KCF053764	DN 50x40	Ansi 300	250	245	18.6
ET140104AAB0AEQNV000AMIG0	ET140104ABA0AEQNV000AMIG0	EA0130A5C000	KCF073769	DN 65x50	Ansi 150	280	274.6	26.1
ET140204AAB0AEQNV000AMIG0	ET140204ABA0AEQNV000AMIG0	EA0130A5C000	KCF073769	DN 65x50	Ansi 300	280	274.6	29.3
ET141104AAB0AEQNV000AMIG0	ET141104ABA0AEQNV000AMIG0	EA0130A5C000	KCF073765	DN 80x65	Ansi 150	280	300.6	33.4
ET141204AAB0AEQNV000AMKGG0	ET141204ABA0AEQNV000AMKGG0	EA0240A5C000	KCF103770	DN 80x65	Ansi 300	280	300.6	41.7
ET142104AAB0AEQNV000AMKGG0	ET142104ABA0AEQNV000AMKGG0	EA0240A5C000	KCF103770	DN 100x80	Ansi 150	280	307.6	44
ET142204AAB0AEQNV000AMKGG0	ET142204ABA0AEQNV000AMKGG0	EA0240A5C000	KCF103892	DN 100x80	Ansi 300	280	307.6	58.6
ET143104AAB0AEQNV000AMNNA0	ET143104ABA0AEQNV000AMNNA0	AE160040	KCE363776	DN 125x100	Ansi 150	256.5	376	62
ET143204AAB0AEQNV000AMNNA0	ET143204ABA0AEQNV000AMNNA0	AE160040	KCE363776	DN 125x100	Ansi 300	256.5	376	88
ET174104AAB0AEQNV000AMNNA0	ET174104ABA0AEQNV000AMNNA0	AE160040	KCE363776	DN 150x100	Ansi 150	256.5	376	76.8
ET174204AAB0AEQNV000AMNNA0	ET174204ABA0AEQNV000AMNNA0	AE160040	KCE363776	DN 150x100	Ansi 300	256.5	376	100.5
ET145104AAB0AEQNV000AMRA0	ET145104ABA0AEQNV000AMRA0	AE160060	KCE563908	DN 200x150	Ansi 150	381	488	172
ET146104AAB0AEQNV000AMTA0	ET146104ABA0AEQNV000AMTA0	AE160100	KCE563909	DN 250x200	Ansi 150	381	522	267.5

CODICI ARTICOLI IN F51 DUPLEX

CORPO/BODY F51 DUPLEX STAINLESS STEEL	ATTUATORE actuator	KIT di montaggio connecting kit	MISURA size	ANSI	N	H	Kg
ET135104AID0CDQNV000AMEG0	EA0035A5C000	KCF053775	DN 20x15	Ansi 150	250	209	7.2
ET135204AID0CDQNV000AMEG0	EA0035A5C000	KCF053775	DN 20x15	Ansi 300	250	209	8.4
ET136104AID0CDQNV000AMEG0	EA0035A5C000	KCF053775	DN 25x20	Ansi 150	250	212	8.2
ET136204AID0CDQNV000AMEG0	EA0035A5C000	KCF053775	DN 25x20	Ansi 300	250	212	9.5
ET137104AID0CDQNV000AMEG0	EA0035A5C000	KCF053768	DN 32x25	Ansi 150	250	219	9.4
ET137204AID0CDQNV000AMEG0	EA0035A5C000	KCF053768	DN 32x25	Ansi 300	250	219	11.3
ET138104AID0CEQNV000AMGG0	EA0070A5C000	KCF053768	DN 40x32	Ansi 150	250	224	12.2
ET138204AID0CEQNV000AMGG0	EA0070A5C000	KCF053768	DN 40x32	Ansi 300	250	224	15.3
ET139104AID0CEQNV000AMGG0	EA0070A5C000	KCF053764	DN 50x40	Ansi 150	250	245	16.3
ET139204AID0CEQNV000AMGG0	EA0070A5C000	KCF053764	DN 50x40	Ansi 300	250	245	18.6
ET140104AID0CEQNV000AMIG0	EA0130A5C000	KCF073769	DN 65x50	Ansi 150	280	274.6	26.1
ET140204AID0CEQNV000AMIG0	EA0130A5C000	KCF073769	DN 65x50	Ansi 300	280	274.6	29.3
ET141104AID0CEQNV000AMIG0	EA0130A5C000	KCF073765	DN 80x65	Ansi 150	280	300.6	33.4
ET141204AID0CEQNV000AMKGG0	EA0240A5C000	KCF103770	DN 80x65	Ansi 300	280	300.6	41.7
ET142104AID0CEQNV000AMKGG0	EA0240A5C000	KCF103770	DN 100x80	Ansi 150	280	307.6	44
ET142204AID0CEQNV000AMKGG0	EA0240A5C000	KCF103892	DN 100x80	Ansi 300	280	307.6	58.6
ET143104AID0CEQNV000AMNNA0	AE160040	KCE363776	DN 125x100	Ansi 150	256.5	376	62
ET143204AID0CEQNV000AMNNA0	AE160040	KCE363776	DN 125x100	Ansi 300	256.5	376	88
ET174104AID0CEQNV000AMNNA0	AE160040	KCE363776	DN 150x100	Ansi 150	256.5	376	76.8
ET174204AID0CEQNV000AMNNA0	AE160040	KCE363776	DN 150x100	Ansi 300	256.5	376	100.5
ET145104AID0CEQNV000AMRA0	AE160060	KCE563908	DN 200x150	Ansi 150	381	488	172
ET146104AID0CEQNV000AMTA0	AE160100	KCE563909	DN 250x200	Ansi 150	381	522	267.5