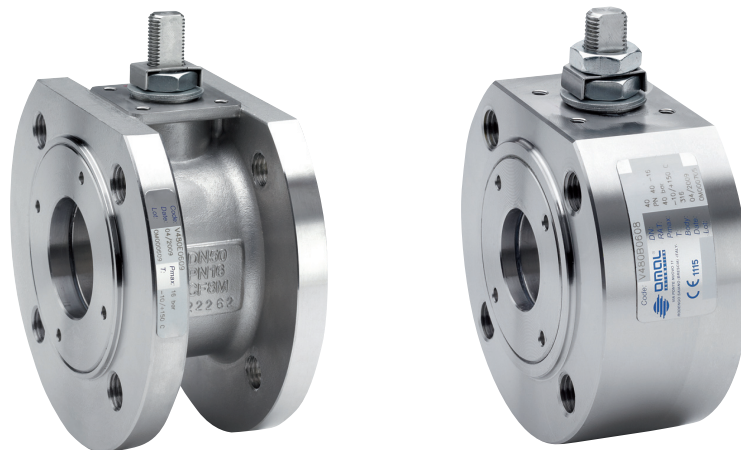


## MAGNUM WAFER PN 16-40 - ANSI 150-300 IN ACCIAIO INOX STAINLESS STEEL MAGNUM WAFER PN 16-40 - ANSI 150-300



### Esecuzione standard

Sfera flottante contenuta, passaggio totale  
Tenuta soft-seat: TFM 1600  
Norme per flange d'attacco EN 1092-1 ed. 2008; ANSI B16.5  
Temperature di utilizzo vedi diagramma pressione temperatura  
Classe di pressione: PN16-40; ANSI 150-300  
Fluido intercettato: aria, acqua, gas, prodotti petroliferi e petrolchimici, fluidi aggressivi.  
Antistatic device EN12662-2  
Tenuta stelo: pacco a V di serie in TFM 1600  
Tenuta addizionale su stelo con O-ring FKM; Stelo anti Blow-out  
Foratura piano per attuatore a norma ISO 5211  
Angolo di chiusura >7°

### Esecuzioni speciali a richiesta

Per altri tipi di flangiature contattare il nostro ufficio commerciale  
Camicia di riscaldamento.  
Guarnizioni di tenuta in: PTFE caricato vetro (RPTFE-GF), PTFE caricato carbografite (RPTFE-CF). Per altri tipi di materiale contattare il nostro ufficio commerciale  
Tenuta integrale avvolgente in PTFE  
Esecuzione monodirezionale con foro di compensazione della pressione nella sfera  
Leva inox; dadi e molle stelo inox  
Per esecuzioni speciali con materiali (corpo/sfera/stelo) diversi dallo standard contattare il nostro ufficio commerciale

### Certificazioni

Conforme alla direttiva Europea 97/23 EC PED; Fugitive Emission UNI EN ISO 15848: 2006; TA-LUFT VDI 2440 (2000); FIRE SAFE: UNI EN ISO 10497: 2004 - API6FA: 1999

### Conforme alla direttiva ATEX 94/9/CE (a richiesta)

### Norme di progettazione

Spessori corpo in accordo a: ASME B16.34, ASME VIII div.1, EN 12516.  
Materiali e rating in accordo ad ASME B16.34 per valvole ANSI ed EN 12516 per valvole PN

### Standard features

No protruding floating ball, full bore  
Soft-seat seal: TFM 1600  
Standard for connecting flanges: EN 1092-1 ed. 2008; ANSI B16.5  
Operating temperature see temperature pressure diagram  
Pressure class: PN16-40 - ANSI 150-300  
Intercepted fluid: air, water, gas, petroleum and petrochemical products, aggressive fluids  
Antistatic device EN12662-2  
Stem seal: TFM 1600 V-pack  
Additional seal on stem with FKM O-ring  
Anti Blow-out stem  
Actuator connection as per standard ISO 5211  
Closing angle >7°

### Special features on request

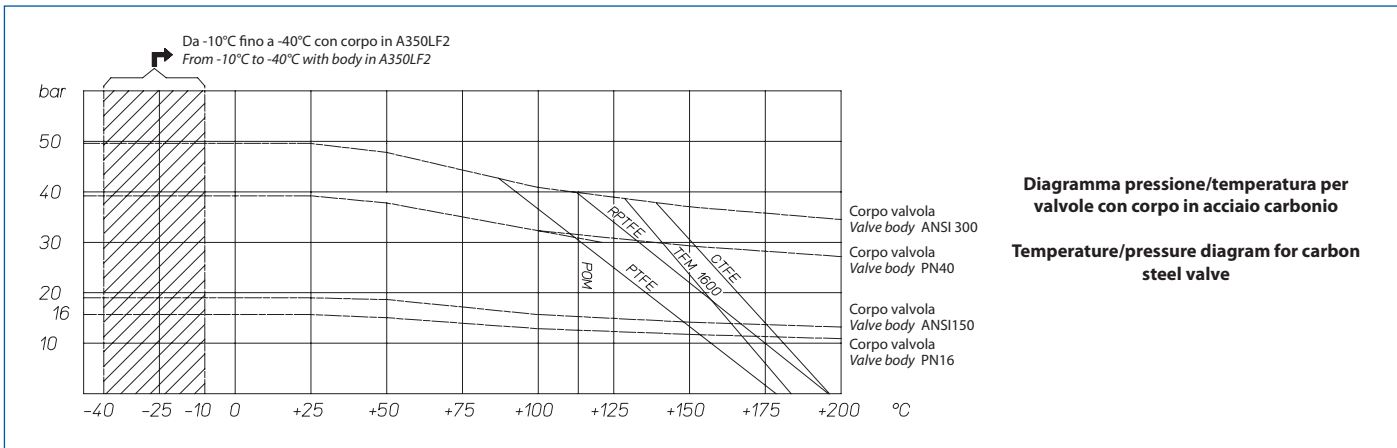
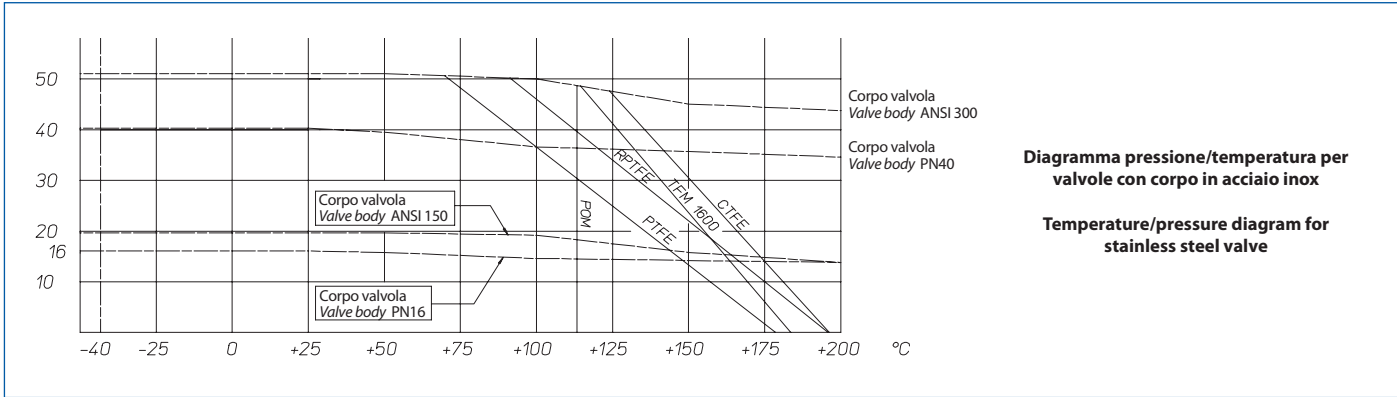
For other flange types please contact our sales department  
Heating jacket  
Sealing in: PTFE reinforced with glass (RPTFE-GF), PTFE reinforced with carbon-graphite (RPTFE-CF). For other types of materials please contact our sales department  
PTFE cavity filled seat  
Mono-directional version with pressure-relief hole in the ball  
Stainless steel lever; stainless steel Stem nuts and springs  
For special versions in materials different from the standard (body, ball, stem), please contact our sales department.

### Certifications

In compliance with European Directive 97/23 EC PED; Fugitive Emission UNI EN ISO 15848: 2006; TA-LUFT VDI 2440 (2000); FIRE SAFE: UNI EN ISO 10497: 2004 - API6FA: 1999  
In compliance with ATEX 94/9/CE Directive (on request)

### Engineering standards

Body thickness in compliance with: ASME B16.34, ASME VIII div.1, EN 12516.  
Materials and rating in compliance with ASME B16.34 for ANSI valves and EN 12516 for PN valves



**COPPIE DI SPUNTO IN Nm CON SEGGIO IN TFM 1600 E CON FLUIDO INTERCETTATO ACQUA (\*)**  
**BREAK AWAY TORQUE IN Nm WITH TFM 1600 SEAT AND WATER INTERCEPTED FLUID (\*)**

misura size	DN 15	DN 20	DN 25	DN 32	DN 40	DN 50	DN 65	DN 80	DN 100
0 bar									
PN16 bar	8	13	18	27	37	61	80	120	215
PN25 bar	9,5	15	20	29	40	67	95	130	230
PN40 bar	11	17	21	31	41	75	110	165	280
Ansi 150-20 bar	9	14	19	28	38	65	90	128	220
Ansi 300-50 bar	12	19	21	32	42	80	120	170	290

(\*): qualora si intercettino fluidi sgrassanti e/o contenenti particolato solido le coppie di manovra possono risultare maggiorate rispetto a quanto riportato in tabella  
 (\*): If not lubricated fluids and/or fluids containing solid particles are intercepted, torques could be higher than those in the table.

**INCREMENTO COPPIE CON ALTRI MATERIALI DI TENUTA TORQUE INCREASE WITH DIFFERENT SEAT MATERIALS**

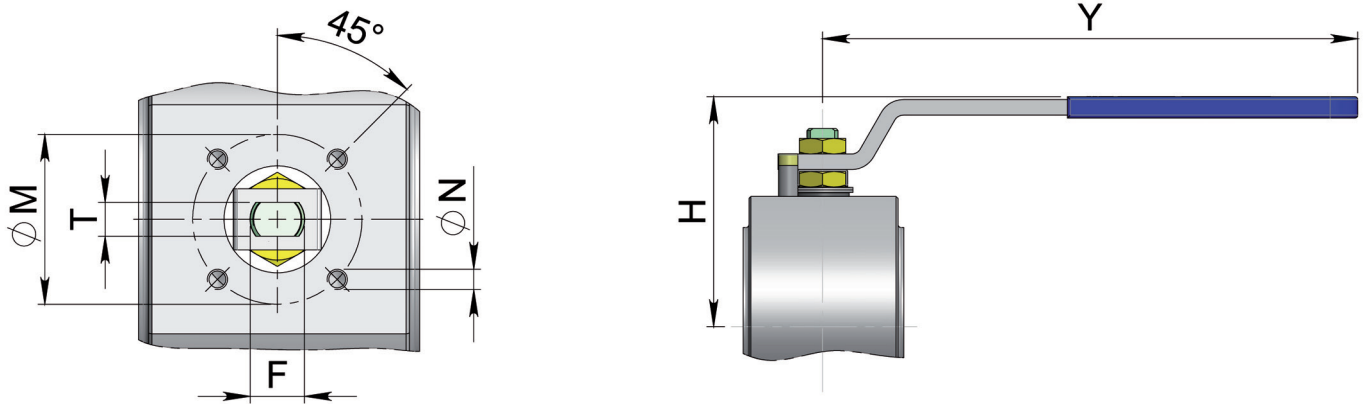
POM: +10%	R.PTFE: +25%	CTFE: +30%	PEEK: +60%
-----------	--------------	------------	------------

I valori della coppia in Nm possono variare in funzione della temperatura e del fluido. Considerare un fattore di sicurezza pari a 1.4. Con frequenti cicli di apertura e chiusura la coppia di manovra può diminuire sensibilmente rispetto a quella iniziale.

Torque can vary depending on temperature and type of fluid, a safety factor 1.4 must be applied. Torque can drop on high frequency of operation.

**Il dimensionamento degli attuatori pneumatici è stato fatto considerando una pressione minima di alimentazione pari a 5,6 barg.**  
**The sizing of pneumatic actuators has been done considering a minimum supply pressure of 5,6 barg.**

**MAGNUM WAFER PN16-40 ANSI 150-300**  
**MAGNUM WAFER PN16-40 ANSI 150-300**



**TABELLA DIMENSIONI DIMENSIONS TABLE**

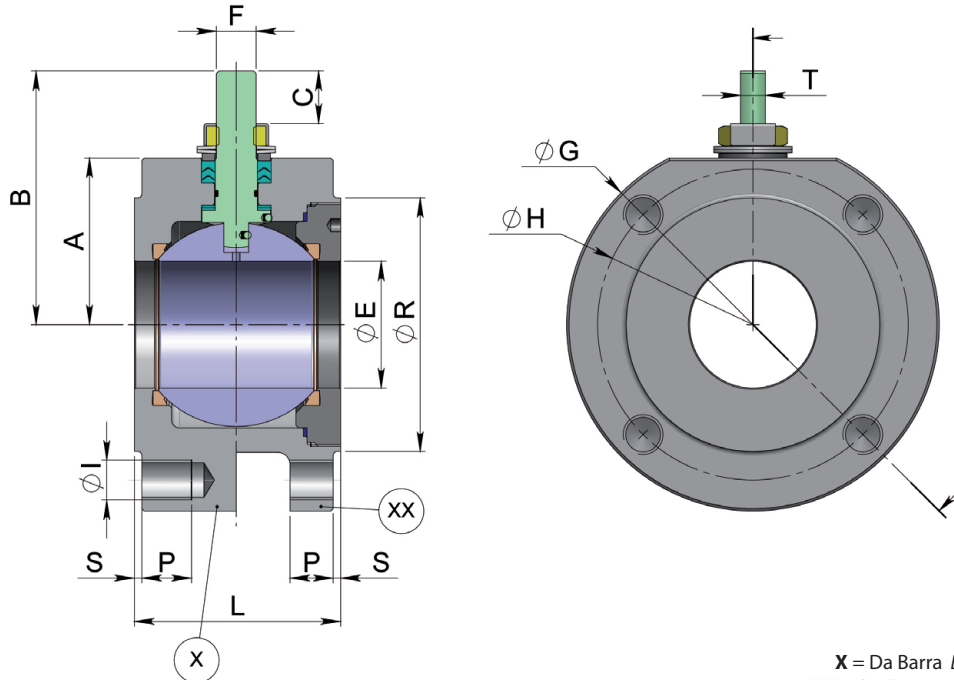
MISURA SIZE	ØE	L	B	C	ATT.ISO	ØM	ØN	F/T	H	Y	KIT LEVA LEVER KIT
DN 15	13	36	52	10	F03	36	M5	10/6	70	140	KLV58004
DN 20	19	39	55	10	F03	36	M5	10/6	73	140	KLV58004
DN 25	25	43	68	15	F04	42	M5	12/8	86	150	KLV58006
DN 32	32	51 o 54	73	15	F04	42	M5	12/8	91	150	KLV58006
DN 40	38	63	93	21	F05	50	M6	16/10	108	275	KLV58008
DN 50	51	83	102	21	F05	50	M6	16/10	117	275	KLV58008
DN65	64	107	130,5	28	F07	70	M8	22/14	142	350	KLV58010
DN 80	76	120	137,5	28	F07	70	M8	22/14	149	350	KLV58010
DN 100	95	152	166	35	F10	102	M10	30/18	191	450	KLV58012

TUTTE LE VALVOLE SONO A SFERA CONTENUTA TRANNE LA DN32 CON FACE TO FACE 51 mm  
 ALL VALVES HAVE NO PROTRUDING BALL EXCEPT DN32 (FACE TO FACE 51 mm)



## MAGNUM WAFER PN16-40 ANSI 150-300

### MAGNUM WAFER PN16-40 ANSI 150-300

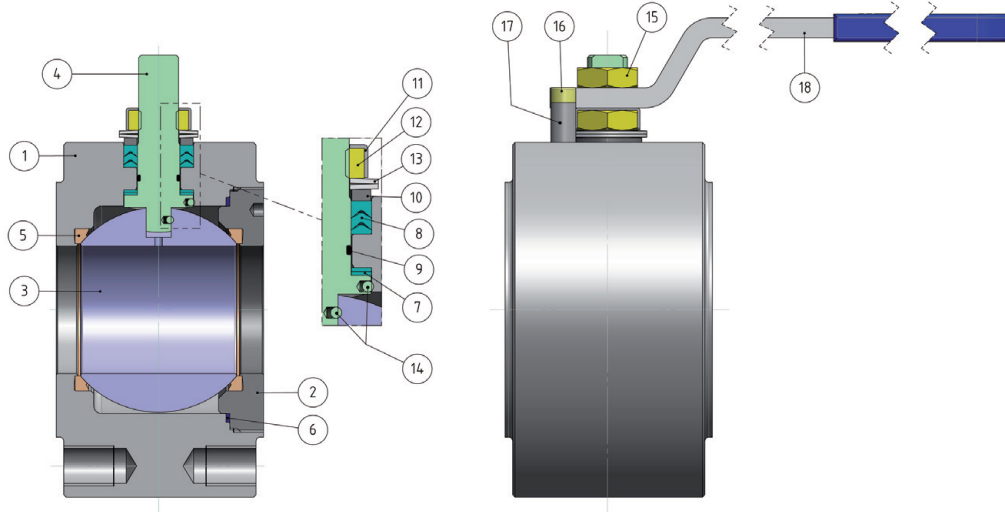


X = Da Barra Bar stock execution  
XX = Da Fusione Casting execution

#### TABELLA DIMENSIONI DIMENSIONS TABLE

misura size	PN/ANSI	A	ØG	ØR	S	ØH	N°FORI	ØI	P	KG.	L	KIT GUARNIZIONI SEALS KIT
DN 15	PN 16-40	32	90	45	1	65	4	M12	14	1,4	36	KGBV480040
DN 15	ANSI 150	32	90	45	1	60,5	4	1/2"UNC	14	1,4	36	KGBV480040
DN 15	ANSI 300	34	90	45	1	66,7	4	1/2"UNC	14	1,4	36	KGBV480040
DN 20	PN 16-40	35	100	58	2	75	4	M12	14	1,8	39	KGBV480050
DN 20	ANSI 150	35	100	52	1,6	69,8	4	1/2"UNC	14	1,8	39	KGBV480050
DN 20	ANSI 300	40	110	52	1,6	82,5	4	5/8"UNC	14	2,1	39	KGBV480050
DN 25	PN 16-40	42	100	68	2	85	4	M12	16	2,5	43	KGBV480060
DN 25	ANSI 150	42	110	60	1,6	79,4	4	1/2"UNC	16	2,5	43	KGBV480060
DN 25	ANSI 300	45	120	60	1,6	88,9	4	5/8"UNC	16	2,9	43	KGBV480060
DN 32	PN 16-40	47	130	78	2	100	4	M16	20	4,0	51*	KGBV480070
DN 32	PN 16-40	47	130	78	2	100	4	M16	20	4,3	54	KGBV480070
DN 32	ANSI 150	47	118	72	1,6	88,9	4	1/2"UNC	20	3,8	54	KGBV480070
DN 32	ANSI 300	47	130	72	1,6	98,4	4	5/8"UNC	20	4,3	54	KGBV480070
DN 40	PN 16-40	58	140	88	3	110	4	M16	20	5,9	63	KGBV480080
DN 40	ANSI 150	58	127	83	1,6	98,4	4	1/2"UNC	20	5,1	63	KGBV480080
DN 40	ANSI 300	58	150	82	1,6	114,3	4	3/4"UNC	25	7,0	63	KGBV480080
DN 50	PN 16-40	67	150	102	3	125	4	M16	20	8,9	83	KGBV480090
DN 50	ANSI 150	67	150	102	1,6	120,6	4	5/8"UNC	20	9,1	83	KGBV480090
DN 50	ANSI 300	73	160	102	1,6	127,0	8	5/8"UNC	20	10,4	83	KGBV480090
DN 65	PN16	83	178	122	3	145	4	M16	20	16,2	107	KGBV480100
DN 65	PN 25-40	83	178	122	3	145	8	M16	20	16,1	107	KGBV480100
DN 65	ANSI 150	83	178	122	1,6	139,7	4	5/8"UNC	20	16,4	107	KGBV480100
DN 65	ANSI 300	89	190	122	1,6	149,2	8	3/4"UNC	25	18,6	107	KGBV480100
DN 80	PN 16-40	90	190	138	3	160	8	M16	20	20,0	120	KGBV480110
DN 80	ANSI 150	90	190	135	1,6	152,5	4	5/8"UNC	20	20,4	120	KGBV480110
DN 80	ANSI 300	96	205	138	1,6	168,3	8	3/4"UNC	25	24,0	120	KGBV480110
DN100	PN16	101	220	160	3	180	8	M16	20	34,0	152	KGBV480120
DN 100	PN 25-40	105	235	162	3	190	8	M20	25	39,1	152	KGBV480120
DN 100	ANSI 150	101	220	160	1,6	190,5	8	5/8"UNC	20	34,0	152	KGBV480120
DN 100	ANSI 300	115	250	160	1,6	200,0	8	3/4"UNC	25	46,4	152	KGBV480120

## MAGNUM WAFER PN16-40 ANSI 150-300 IN ACCIAIO INOX STAINLESS STEEL MAGNUM WAFER PN16-40 ANSI 150-300



MAGNUM Wafer

**TABELLA DEI MATERIALI MATERIALS TABLE DA BARRA FROM BAR**

N°	Descrizione Description	F304 stainless steel	F316 stainless steel	F51 Duplex stainless steel
1	Corpo Body	ASTM A182 F304 / A479TP.304 (1.4301 / X5CrNi18-10)	ASTM A 182 F316 / A479TP.316 (x) (1.4401 / X5CrNiMo 17-12-2)	ASTM A182 F51 (UNS 31803)
2	Ghiera Ring nut			
3	Sfera Ball	ASTM A351 CF8 (*) (1.4308/Gx5CrNi19-10)	ASTM A351 CF8M (1.4408/Gx5CrNiMo19-12-2)	ASTM A182 F51 (UNS 31803)/A995 CD3MN (UNS J92205)
4	Stelo Stem	A564 TP.630 (17-4PH)	A564 TP.630 (17-4PH)	ASTM A 182 F51 (UNS 31803)
5	Seggio Seat	TFM1600 (.)	TFM1600 (.)	TFM1600 (.)
7	Tenuta inferiore stelo Stem lower sealing	TFM1600 (.)	TFM1600 (.)	TFM1600 (.)
8	Pacco a V Chevron rings	TFM1600 (.)	TFM1600 (.)	TFM1600 (.)
6	Guarnizione corpo ghiera Body-Ring nut gasket	TFM1600 (.)	TFM1600 (.)	TFM1600 (.)
9	O-ring stelo Stem o-ring	FKM (.)	FKM (.)	FKM (.)
10	Anello premi guarnizione Packing gland ring	304 S.S.	304 S.S.	304 S.S.
11	Piastra blocca dado Stop nut plate	304 S.S.	304 S.S.	304 S.S.
12	Dado stelo Stem nut	UNI 3740-1 6S Zincato-Galvanized (xx)	UNI 3740-1 6S Zincato-Galvanized (xx)	A2-70 UNI 3740 (304 S.S.)
13	Molle a tazza Springs washer	50CrV4 Zincato-Galvanized (xx)	50CrV4 Zincato-Galvanized (xx)	301 S.S.
14	Dispositivo antistatico Antistatic device	316 S.S.	316 S.S.	316 S.S.
15	Controdado Lock nut	UNI 3740-1 6S Zincato-Galvanized	UNI 3740-1 6S Zincato-Galvanized	A2-70 UNI 3740 (304 S.S.)
16	Vite di fermo Holder screw	A2-70 UNI 3740 (304 S.S.)	A2-70 UNI 3740 (304 S.S.)	A2-70 UNI 3740 (304 S.S.)
17	Fermo di posizione Holder screw	Acciaio al carbonio zincato Carbon steel galvanized (x)	Acciaio al carbonio zincato Carbon steel galvanized (x)	304 S.S.
18	Leva Lever	Fe37 zincato-galvanized (x)	Fe37 zincato-galvanized (x)	304 S.S.

**TABELLA DEI MATERIALI MATERIALS TABLE DA FUSIONE CASTING**

N°	Descrizione Description	CF8M stainless steel
1	Corpo Body	ASTM A351 CF8M (1.4408/Gx5CrNiMo19-12-2)
2	Ghiera Ring nut	
3	Sfera Ball	ASTM A351 CF8M (1.4408/Gx5CrNiMo19-12-2)
4	Stelo Stem	A564 TP.630 (17-4PH)
5	Seggio Seat	TFM1600 (.)
7	Tenuta inferiore stelo Stem lower sealing	TFM1600 (.)
8	Pacco a V Chevron rings	TFM1600 (.)
6	Guarnizione corpo ghiera Body-Ring nut gasket	TFM1600 (.)
9	O-ring stelo Stem o-ring	FKM (.)
10	Anello premi guarnizione Packing gland ring	304 S.S.
11	Piastra blocca dado Stop nut plate	304 S.S.
12	Dado stelo Stem nut	UNI 3740-1 6S Zincato-Galvanized (xx)
13	Molle a tazza Springs washer	50CrV4 Zincato-Galvanized (xx)
14	Dispositivo antistatico Antistatic device	316 S.S.
15	Controdado Lock nut	UNI 3740-1 6S Zincato-Galvanized
16	Vite di fermo Holder screw	A2-70 UNI 3740 (304 S.S.)
17	Fermo di posizione Holder screw	Acciaio al carbonio zincato Carbon steel galvanized (x)
18	Leva Lever	Fe37 zincato-galvanized (x)

A richiesta disponibile in: Available on request:

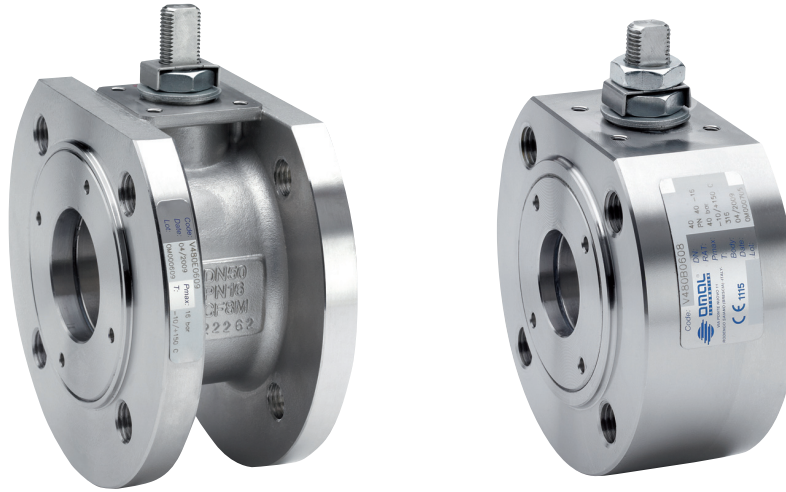
(\*): A351 CF8M

(x): 304 s.s.

(xx): 301 s.s.

(.): Altri materiali disponibili a richiesta Other materials available on request

**MAGNUM WAFER PN16-40 ANSI 150-300 IN ACCIAIO INOX - ASSE NUDO E CON LEVA**  
**STAINLESS STEEL MAGNUM WAFER PN16-40 ANSI 150-300 - FREE SHAFT AND WITH LEVER**



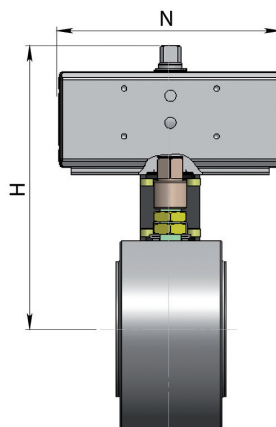
**CODICI VALVOLE ASSE NUDO (V\_) E CON LEVA (L\_) IN ACCIAIO INOX**  
**STAINLESS STEEL BARE SHAFT (V\_) AND LEVER (L\_) OPERATED VALVE CODE**

misura size	PN/ANSI	F304 Stainless steel	F316 Stainless steel	F51 Duplex Stainless steel	
DN 15	PN 16-40	L/VM104F00AAB0A0NNV000	L/VM104F00ABA0A0NNV000	L/VM104F00AID0C0NNV000	
DN 15	ANSI 150	L/VM104101AAB0A0NNV000	L/VM104101ABA0A0NNV000	L/VM104101AID0C0NNV000	
DN 15	ANSI 300	L/VM104201AAB0A0NNV000	L/VM104201ABA0A0NNV000	L/VM104201AID0C0NNV000	
DN 20	PN 16-40	L/VM105F00AAB0A0NNV000	L/VM105F00ABA0A0NNV000	L/VM105F00AID0C0NNV000	
DN 20	ANSI 150	L/VM105101AAB0A0NNV000	L/VM105101ABA0A0NNV000	L/VM105101AID0C0NNV000	
DN 20	ANSI 300	L/VM105201AAB0A0NNV000	L/VM105201ABA0A0NNV000	L/VM105201AID0C0NNV000	
DN 25	PN 16-40	L/VM106F00AAB0A0NNV000	L/VM106F00ABA0A0NNV000	L/VM106F00AID0C0NNV000	
DN 25	ANSI 150	L/VM106101AAB0A0NNV000	L/VM106101ABA0A0NNV000	L/VM106101AID0C0NNV000	
DN 25	ANSI 300	L/VM106201AAB0A0NNV000	L/VM106201ABA0A0NNV000	L/VM106201AID0C0NNV000	
DN 32	PN 16-40	L/VM107F00AAB0A0NNV000	L/VM107F00ABA0A0NNV000	L/VM107F00AID0C0NNV000	
DN 32	PN 16-40	L/VM107S00AAB0A0NNV000*	L/VM107S00ABA0A0NNV000*	L/VM107S00AID0C0NNV000*	
DN 32	ANSI 150	L/VM107101AAB0A0NNV000	L/VM107101ABA0A0NNV000	L/VM107101AID0C0NNV000	
DN 32	ANSI 300	L/VM107201AAB0A0NNV000	L/VM107201ABA0A0NNV000	L/VM107201AID0C0NNV000	
DN 40	PN 16-40	L/VM108F00AAB0A0NNV000	L/VM108F00ABA0A0NNV000	L/VM108F00AID0C0NNV000	
DN 40	ANSI 150	L/VM108101AAB0A0NNV000	L/VM108101ABA0A0NNV000	L/VM108101AID0C0NNV000	
DN 40	ANSI 300	L/VM108201AAB0A0NNV000	L/VM108201ABA0A0NNV000	L/VM108201AID0C0NNV000	
DN 50	PN 16-40	L/VM109F00AAB0A0NNV000	L/VM109F00ABA0A0NNV000	L/VM109F00AID0C0NNV000	
DN 50	ANSI 150	L/VM109101AAB0A0NNV000	L/VM109101ABA0A0NNV000	L/VM109101AID0C0NNV000	
DN 50	ANSI 300	L/VM109201AAB0A0NNV000	L/VM109201ABA0A0NNV000	L/VM109201AID0C0NNV000	
DN 65	PN16	L/VM110E00AAB0A0NNV000	L/VM110E00ABA0A0NNV000	L/VM110E00AID0C0NNV000	
DN 65	PN 25-40	L/VM110I00AAB0A0NNV000	L/VM110I00ABA0A0NNV000	L/VM110I00AID0C0NNV000	
DN 65	ANSI 150	L/VM110101AAB0A0NNV000	L/VM110101ABA0A0NNV000	L/VM110101AID0C0NNV000	
DN 65	ANSI 300	L/VM110201AAB0A0NNV000	L/VM110201ABA0A0NNV000	L/VM110201AID0C0NNV000	
DN 80	PN 16-40	L/VM111F00AAB0A0NNV000	L/VM111F00ABA0A0NNV000	L/VM111F00AID0C0NNV000	
DN 80	ANSI 150	L/VM111101AAB0A0NNV000	L/VM111101ABA0A0NNV000	L/VM111101AID0C0NNV000	
DN 80	ANSI 300	L/VM111201AAB0A0NNV000	L/VM111201ABA0A0NNV000	L/VM111201AID0C0NNV000	
DN 100	PN16	L/VM112E00AAB0A0NNV000	L/VM112E00ABA0A0NNV000	L/VM112E00AID0C0NNV000	
DN 100	PN 25-40	L/VM112I00AAB0A0NNV000	L/VM112I00ABA0A0NNV000	L/VM112I00AID0C0NNV000	
DN 100	ANSI 150	L/VM112101AAB0A0NNV000	L/VM112101ABA0A0NNV000	L/VM112101AID0C0NNV000	
DN 100	ANSI 300	L/VM112201AAB0A0NNV000	L/VM112201ABA0A0NNV000	L/VM112201AID0C0NNV000	
CF8M Stainless steel	DN 50	PN16	---	L/VM109E00AEA0A0NNV000	---
	DN 65	PN16	---	L/VM110E00AEA0A0NNV000	---
	DN 80	PN16	---	L/VM111E00AEA0A0NNV000	---
	DN 100	PN16	---	L/VM112E00AEA0A0NNV000	---

\*Sfera non contenuta *Protuding ball*



**MAGNUM WAFER PN16-40 IN ACCIAIO INOX CON ATTUATORE PNEUMATICO DOPPIO EFFETTO**  
**STAINLESS STEEL MAGNUM WAFER PN16-40 WITH DOUBLE ACTING PNEUMATIC ACTUATOR**



MAGNUM Wafer

**CODICI ARTICOLI IN F304 - F316 STAINLESS STEEL**

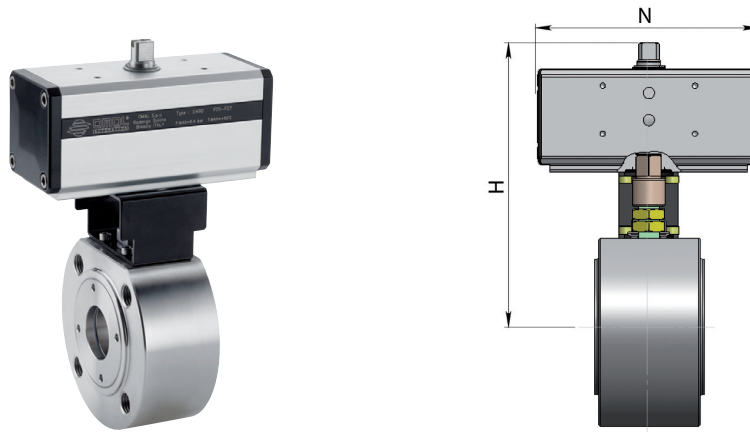
CORPO/BODY F304 STAINLESS STEEL	CORPO/BODY F316 STAINLESS STEEL	ATTUATORE actuator	KIT di montaggio connecting kit	MISURA size	PN	N	H	Kg
DM104E00AAB0A0NNV000AABA0	DM104E00ABA0A0NNV000AABA0	DA015301S	KCF033761	DN 15	16	115	144,4	2,5
DM104I00AAB0A0NNV000ACA0	DM104I00ABA0A0NNV000AABA0	DA030401S	KCF033761	DN 15	25-40	130	152,4	2,7
DM105F00AAB0A0NNV000ACA0	DM105F00ABA0A0NNV000AABA0	DA030401S	KCF033761	DN 20	16-40	130	155,4	3,2
DM106F00AAB0A0NNV000ACA0	DM106F00ABA0A0NNV000AABA0	DA030401S	KCF033760	DN 25	16-40	130	162,4	3,9
DM107F00AAB0A0NNV000ACA0	DM107F00ABA0A0NNV000AABA0	DA045402S	KCF043762	DN 32	16-40	144	172,4	5,7
DM107S00AAB0A0NNV000ACA0*	DM107S00ABA0A0NNV000AABA0*	DA045402S	KCF043762	DN 32	16-40	144	172,4	6,0
DM108F00AAB0A0NNV000AEA0	DM108F00ABA0A0NNV000AEA0	DA060402S	KCF043763	DN 40	16-40	152	198,4	7,7
DM109E00AAB0A0NNV000AFA0	DM109E00ABA0A0NNV000AFA0	DA090401S	KCF053764	DN 50	16	169	214,5	10,9
DM109I00AAB0A0NNV000AHA0	DM109I00ABA0A0NNV000AHA0	DA120401S	KCF053764	DN 50	25-40	184	233,4	11,7
DM110E00AAB0A0NNV000AHA0	DM110E00ABA0A0NNV000AHA0	DA120401S	KCF053773	DN 65	16	184	259,4	19,3
DM110I00AAB0A0NNV000AIA0	DM110I00ABA0A0NNV000AIA0	DA180401S	KCF073765	DN 65	25-40	212	269	19,8
DM111E00AAB0A0NNV000AIA0	DM111E00ABA0A0NNV000AIA0	DA180401S	KCF073765	DN 80	16	212	276	23,3
DM111I00AAB0A0NNV000AJA0	DM111I00ABA0A0NNV000AJA0	DA240401S	KCF073765	DN 80	25-40	242	284,4	25,3
DM112E00AAB0A0NNV000AKA0	DM112E00ABA0A0NNV000AKA0	DA360401S	KCF103777	DN 100	16	264	329	42,5
DM112I00AAB0A0NNV000ALA0	DM112I00ABA0A0NNV000ALA0	DA480401S	KCF103777	DN 100	25-40	295	345	47,5

**CODICI ARTICOLI IN F51 DUPLEX E CF8M STAINLESS STEEL**

CORPO/BODY F51 DUPLEX STAINLESS STEEL	CORPO/BODY STAINLESS STEEL CF8M	ATTUATORE actuator	KIT di montaggio connecting kit	MISURA size	PN	N	H	Kg
DM104E00AID0CONNV000AABA0	---	DA015301S	KCF033761	DN 15	16	115	144,4	2,5
DM104I00AID0CONNV000ACA0	---	DA030401S	KCF033761	DN 15	25-40	130	152,4	2,7
DM105F00AID0CONNV000ACA0	---	DA030401S	KCF033761	DN 20	16-40	130	155,4	3,2
DM106F00AID0CONNV000ACA0	---	DA030401S	KCF033760	DN 25	16-40	130	162,4	3,9
DM107F00AID0CONNV000ACA0	---	DA045402S	KCF043762	DN 32	16-40	144	172,4	5,7
DM107S00AID0CONNV000ACA0*	---	DA045402S	KCF043762	DN 32	16-40	144	172,4	6,0
DM108F00AID0CONNV000AEA0	---	DA060402S	KCF043763	DN 40	16-40	152	198,4	7,7
DM109E00AID0CONNV000AFA0	DM109E00AEA0A0NNV000AFA0	DA090401S	KCF053764	DN 50	16	169	214,5	10,9
DM109I00AID0CONNV000AHA0	---	DA120401S	KCF053764	DN 50	25-40	184	233,4	11,7
DM110E00AID0CONNV000AHA0	DM110E00AEA0A0NNV000AHA0	DA120401S	KCF053773	DN 65	16	184	259,4	19,3
DM110I00AID0CONNV000AIA0	---	DA180401S	KCF073765	DN 65	25-40	212	269	19,8
DM111E00AID0CONNV000AIA0	DM111E00AEA0A0NNV000AIA0	DA180401S	KCF073765	DN 80	16	212	276	23,3
DM111I00AID0CONNV000AJA0	---	DA240401S	KCF073765	DN 80	25-40	242	284,4	25,3
DM112E00AID0CONNV000AKA0	DM112E00AEA0A0NNV000AIA0	DA360401S	KCF103777	DN 100	16	264	329	42,5

\*Sfera non contenuta Protuding ball

## MAGNUM WAFER ANSI 150-300 IN ACCIAIO INOX CON ATTUATORE PNEUMATICO DOPPIO EFFETTO STAINLESS STEEL MAGNUM WAFER ANSI 150-300 WITH DOUBLE ACTING PNEUMATIC ACTUATOR



### CODICI ARTICOLI IN F304 - F316 STAINLESS STEEL

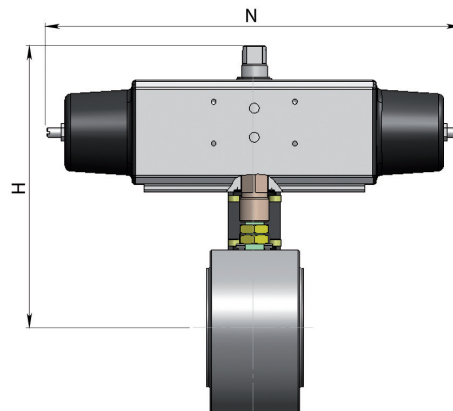
CORPO/BODY F304 STAINLESS STEEL	CORPO/BODY F316 STAINLESS STEEL	ATTUATORE actuator	KIT di montaggio connecting kit	MISURA size	ANSI	N	H	Kg
DM104101AAB0A0NNV000AABA0	DM104101ABA0A0NNV000AABA0	DA015401S	KCF033761	DN 15	Ansi 150	115	144.4	2.5
DM104201AAB0A0NNV000AACAO	DM104201ABA0A0NNV000AACAO	DA030401S	KCF033882	DN 15	Ansi 300	130	154.4	2.7
DM105101AAB0A0NNV000AACAO	DM105101ABA0A0NNV000AACAO	DA030401S	KCF033761	DN 20	Ansi 150	130	155.4	3.2
DM105201AAB0A0NNV000AACAO	DM105201ABA0A0NNV000AACAO	DA030401S	KCF033883	DN 20	Ansi 300	130	159.4	3.5
DM106101AAB0A0NNV000AACAO	DM106101ABA0A0NNV000AACAO	DA030401S	KCF033760	DN 25	Ansi 150	130	162.4	3.9
DM106201AAB0A0NNV000AACAO	DM106201ABA0A0NNV000AACAO	DA030401S	KCF033884	DN 25	Ansi 300	130	165.4	4.3
DM107101AAB0A0NNV000AADA0	DM107101ABA0A0NNV000AADA0	DA045402S	KCF043762	DN 32	Ansi 150	144	172.7	5.5
DM107201AAB0A0NNV000AADA0	DM107201ABA0A0NNV000AADA0	DA045402S	KCF043762	DN 32	Ansi 300	144	172.7	6.0
DM108101AAB0A0NNV000AAEA0	DM108101ABA0A0NNV000AAEA0	DA060402S	KCF043763	DN 40	Ansi 150	152	198.4	7.5
DM108201AAB0A0NNV000AAEA0	DM108201ABA0A0NNV000AAEA0	DA060402S	KCF043763	DN 40	Ansi 300	152	198.4	8.9
DM109101AAB0A0NNV000AAFA0	DM109101ABA0A0NNV000AAFA0	DA090401S	KCF053764	DN 50	Ansi 150	169	214.5	10.9
DM109201AAB0A0NNV000AAHA0	DM109201ABA0A0NNV000AAHA0	DA120401S	KCF053885	DN 50	Ansi 300	184	239.4	13.2
DM110101AAB0A0NNV000AAHA0	DM110101ABA0A0NNV000AAHA0	DA120401S	KCF053773	DN 65	Ansi 150	184	259.4	19.3
DM110201AAB0A0NNV000AAIA0	DM110201ABA0A0NNV000AAIA0	DA180401S	KCF073886	DN 65	Ansi 300	212	275	22.4
DM111101AAB0A0NNV000AAIA0	DM111101ABA0A0NNV000AAIA0	DA180401S	KCF073765	DN 80	Ansi 150	212	276	23.3
DM111201AAB0A0NNV000AAJA0	DM111201ABA0A0NNV000AAJA0	DA240401S	KCF073886	DN 80	Ansi 300	242	290.4	29.3
DM112101AAB0A0NNV000AAKA0	DM112101ABA0A0NNV000AAKA0	DA360401S	KCF103777	DN 100	Ansi 150	264	329	42.5
DM112201AAB0A0NNV000AALA0	DM112201ABA0A0NNV000AALA0	DA480401S	KCF103887	DN 100	Ansi 300	295	355	54.5

### CODICI ARTICOLI IN F51 DUPLEX

CORPO/BODY F51 DUPLEX STAINLESS STEEL	ATTUATORE actuator	KIT di montaggio connecting kit	MISURA size	ANSI	N	H	Kg
DM104101AID0C0NNV000AABA0	DA015401S	KCF033761	DN 15	Ansi 150	115	144.4	2.5
DM104201AID0C0NNV000AACAO	DA030401S	KCF033882	DN 15	Ansi 300	130	154.4	2.7
DM105101AID0C0NNV000AACAO	DA030401S	KCF033761	DN 20	Ansi 150	130	155.4	3.2
DM105201AID0C0NNV000AACAO	DA030401S	KCF033883	DN 20	Ansi 300	130	159.4	3.5
DM106101AID0C0NNV000AACAO	DA030401S	KCF033760	DN 25	Ansi 150	130	162.4	3.9
DM106201AID0C0NNV000AACAO	DA030401S	KCF033884	DN 25	Ansi 300	130	165.4	4.3
DM107101AID0C0NNV000AADA0	DA045402S	KCF043762	DN 32	Ansi 150	144	172.7	5.5
DM107201AID0C0NNV000AADA0	DA045402S	KCF043762	DN 32	Ansi 300	144	172.7	6.0
DM108101AID0C0NNV000AAEA0	DA060402S	KCF043763	DN 40	Ansi 150	152	198.4	7.5
DM108201AID0C0NNV000AAEA0	DA060402S	KCF043763	DN 40	Ansi 300	152	198.4	8.9
DM109101AID0C0NNV000AAFA0	DA090401S	KCF053764	DN 50	Ansi 150	169	214.5	10.9
DM109201AID0C0NNV000AAHA0	DA120401S	KCF053885	DN 50	Ansi 300	184	239.4	13.2
DM110101AID0C0NNV000AAHA0	DA120401S	KCF053773	DN 65	Ansi 150	184	259.4	19.3
DM110201AID0C0NNV000AAIA0	DA180401S	KCF073886	DN 65	Ansi 300	212	275	22.4
DM111101AID0C0NNV000AAIA0	DA180401S	KCF073765	DN 80	Ansi 150	212	276	23.3
DM111201AID0C0NNV000AAJA0	DA240401S	KCF073886	DN 80	Ansi 300	242	290.4	29.3
DM112101AID0C0NNV000AAKA0	DA360401S	KCF103777	DN 100	Ansi 150	264	329	42.5
DM112201AID0C0NNV000AALA0	DA480401S	KCF103887	DN 100	Ansi 300	295	355	54.5



## MAGNUM WAFER PN16-40 IN ACCIAIO INOX CON ATTUATORE PNEUMATICO SEMPLICE EFFETTO STAINLESS STEEL MAGNUM WAFER PN16-40 WITH SPRING RETURN PNEUMATIC ACTUATOR



MAGNUM Wafer

### CODICI ARTICOLI IN F304 - F316 STAINLESS STEEL

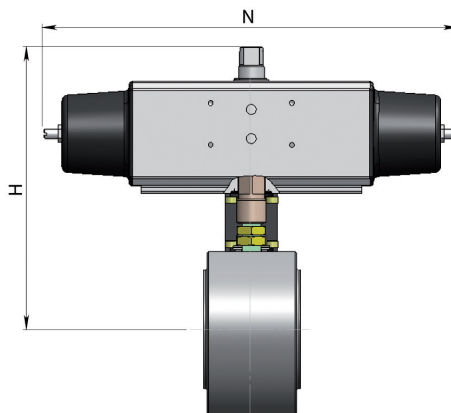
CORPO/BODY F304 STAINLESS STEEL	CORPO/BODY F316 STAINLESS STEEL	ATTUATORE actuator	KIT di montaggio connecting kit	MISURA size	PN	N	H	Kg
SM104E00AAB0A0NNV000AACAO	SM104E00ABA0A0NNV000AACAO	SR015401S	KCF033761	DN 15	16	221	152.4	3.0
SM104I00AAB0A0NNV000AAEA0	SM104I00ABA0A0NNV000AAEA0	SR030402S	KCF043767	DN 15	25-40	240	162.4	3.4
SM105F00AAB0A0NNV000AAEA0	SM105F00ABA0A0NNV000AAEA0	SR030402S	KCF043767	DN 20	16-40	240	165.4	4.2
SM106F00AAB0A0NNV000AAEA0	SM106F00ABA0A0NNV000AAEA0	SR030402S	KCF043807	DN 25	16-40	240	172.4	4.8
SM107F00AAB0A0NNV000AAEA0	SM107F00ABA0A0NNV000AAEA0	SR045401S	KCF053768	DN 32	16-40	294	184.5	7.0
SM107S00AAB0A0NNV000AAEA0*	SM107S00ABA0A0NNV000AAEA0*	SR045401S	KCF053768	DN 32	16-40	294	184.5	7.3
SM108F00AAB0A0NNV000AAHA0	SM108F00ABA0A0NNV000AAHA0	SR060401S	KCF053764	DN 40	16-40	320	224.4	11.1
SM109E00AAB0A0NNV000AAIA0	SM109E00ABA0A0NNV000AAIA0	SR090401S	KCF073769	DN 50	16	357	243	13.5
SM109I00AAB0A0NNV000AAJA0	SM109I00ABA0A0NNV000AAJA0	SR120401S	KCF073769	DN 50	25-40	372	253.4	15.7
SM110E00AAB0A0NNV000AAJA0	SM110E00ABA0A0NNV000AAJA0	SR120401S	KCF073765	DN 65	16	372	279.4	22.7
SM110I00AAB0A0NNV000AAKA0	SM110I00ABA0A0NNV000AAKA0	SR180401S	KCF103770	DN 65	25-40	436	291	25.3
SM111E00AAB0A0NNV000AAKA0	SM111E00ABA0A0NNV000AAKA0	SR180401S	KCF103770	DN 80	16	436	298	30.0
SM111I00AAB0A0NNV000AALA0	SM111I00ABA0A0NNV000AALA0	SR240401S	KCF103770	DN 80	25-40	456	310	30.8
SM112E00AAB0A0NNV000AAMA0	SM112E00ABA0A0NNV000AAMA0	SR360401S	KCF123778	DN 100	16	566	359	51.8
SM112I00AAB0A0NNV000AANA0	SM112I00ABA0A0NNV000AANA0	SR480401S	KCF123771	DN 100	25-40	602	371.2	58.2

### CODICI ARTICOLI IN F51 DUPLEX E CF8M STAINLESS STEEL

CORPO/BODY F51 DUPLEX STAINLESS STEEL	CORPO/BODY STAINLESS STEEL CF8M	ATTUATORE actuator	KIT di montaggio connecting kit	MISURA size	PN	N	H	Kg
SM104E00AID0C0NNV000AACAO	---	SR015401S	KCF033761	DN 15	16	221	152.4	3.0
SM104I00AID0C0NNV000AAEA0	---	SR030402S	KCF043767	DN 15	25-40	240	162.4	3.4
SM105F00AID0C0NNV000AAEA0	---	SR030402S	KCF043767	DN 20	16-40	240	165.4	4.2
SM106F00AID0C0NNV000AAEA0	---	SR030402S	KCF043807	DN 25	16-40	240	172.4	4.8
SM107F00AID0C0NNV000AAEA0	---	SR045401S	KCF053768	DN 32	16-40	294	184.5	7.0
SM107S00AID0C0NNV000AAEA0*	---	SR045401S	KCF053768	DN 32	16-40	294	184.5	7.3
SM108F00AID0C0NNV000AAHA0	---	SR060401S	KCF053764	DN 40	16-40	320	224.4	11.1
SM109E00AID0C0NNV000AAIA0	SM109E00AEA0A0NNV000AAIA0	SR090401S	KCF073769	DN 50	16	357	243	13.5
SM109I00AID0C0NNV000AAJA0	---	SR120401S	KCF073769	DN 50	25-40	372	253.4	15.7
SM110E00AID0C0NNV000AAJA0	SM110E00AEA0A0NNV000AAJA0	SR120401S	KCF073765	DN 65	16	372	279.4	22.7
SM110I00AID0C0NNV000AAKA0	---	SR180401S	KCF103770	DN 65	25-40	436	291	25.3
SM111E00AID0C0NNV000AAKA0	SM111E00AEA0A0NNV000AAKA0	SR180401S	KCF103770	DN 80	16	436	298	30.0
SM111I00AID0C0NNV000AALA0	---	SR240401S	KCF103770	DN 80	25-40	456	310	30.8
SM112E00AID0C0NNV000AAMA0	SM112E00AEA0A0NNV000AAMA0	SR360401S	KCF123778	DN 100	16	566	359	51.8
SM112I00AID0C0NNV000AANA0	---	SR480401S	KCF123771	DN 100	25-40	602	371.2	58.2

\*Sfera non contenuta Protuding ball

## MAGNUM WAFER ANSI 150-300 IN ACCIAIO INOX CON ATTUATORE PNEUMATICO SEMPLICE EFFETTO STAINLESS STEEL MAGNUM WAFER ANSI 150-300 WITH SPRING RETURN PNEUMATIC ACTUATOR



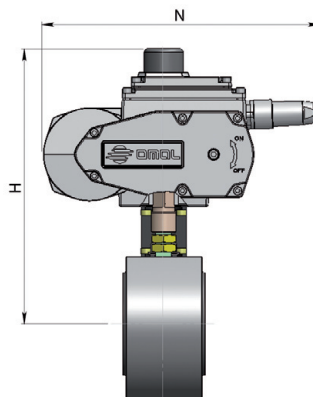
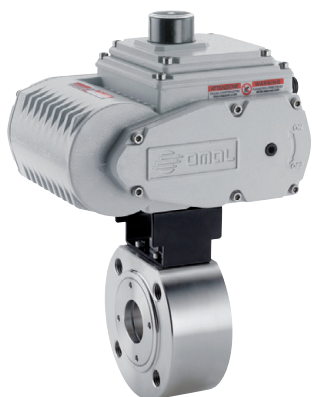
### CODICI ARTICOLI IN F304 - F316 STAINLESS STEEL

CORPO/BODY F304 STAINLESS STEEL	CORPO/BODY F316 STAINLESS STEEL	ATTUATORE actuator	KIT di montaggio connecting kit	MISURA size	ANSI	N	H	Kg
SM104101AAB0A0NNV000AACAO	SM104101ABA0A0NNV000AACAO	SR015401S	KCF033761	DN 15	Ansi 150	221	152.4	3.0
SM104201AAB0A0NNV000AAEA0	SM104201ABA0A0NNV000AAEA0	SR030402S	KCF043888	DN 15	Ansi 300	240	164.4	3.4
SM105101AAB0A0NNV000AAEA0	SM105101ABA0A0NNV000AAEA0	SR030402S	KCF043767	DN 20	Ansi 150	240	165.4	4.2
SM105201AAB0A0NNV000AAEA0	SM105201ABA0A0NNV000AAEA0	SR030402S	KCF043889	DN 20	Ansi 300	240	169.4	4.5
SM106101AAB0A0NNV000AAEA0	SM106101ABA0A0NNV000AAEA0	SR030402S	KCF043807	DN 25	Ansi 150	240	172.4	4.8
SM106201AAB0A0NNV000AAEA0	SM106201ABA0A0NNV000AAEA0	SR030402S	KCF043890	DN 25	Ansi 300	240	175.4	5.2
SM107101AAB0A0NNV000AAFA0	SM107101ABA0A0NNV000AAFA0	SR045401S	KCF053768	DN 32	Ansi 150	294	184.5	6.8
SM107201AAB0A0NNV000AAFA0	SM107201ABA0A0NNV000AAFA0	SR045401S	KCF053768	DN 32	Ansi 300	294	184.5	7.3
SM108101AAB0A0NNV000AAHA0	SM108101ABA0A0NNV000AAHA0	SR060401S	KCF053764	DN 40	Ansi 150	320	224.4	10.9
SM108201AAB0A0NNV000AAHA0	SM108201ABA0A0NNV000AAHA0	SR060401S	KCF053764	DN 40	Ansi 300	320	224.4	12.3
SM109101AAB0A0NNV000AAIA0	SM109101ABA0A0NNV000AAIA0	SR090401S	KCF073769	DN 50	Ansi 150	357	243	13.7
SM109201AAB0A0NNV000AAJA0	SM109201ABA0A0NNV000AAJA0	SR120401S	KCF073891	DN 50	Ansi 300	372	259.4	17.1
SM110101AAB0A0NNV000AAJA0	SM110101ABA0A0NNV000AAJA0	SR120401S	KCF073765	DN 65	Ansi 150	372	279.4	22.9
SM110201AAB0A0NNV000AAKA0	SM110201ABA0A0NNV000AAKA0	SR180401S	KCF103892	DN 65	Ansi 300	436	297	27.7
SM111101AAB0A0NNV000AAKA0	SM111101ABA0A0NNV000AAKA0	SR180401S	KCF103770	DN 80	Ansi 150	436	298	30.4
SM111201AAB0A0NNV000AALA0	SM111201ABA0A0NNV000AALA0	SR240401S	KCF103892	DN 80	Ansi 300	456	316	34.8
SM112101AAB0A0NNV000AAMA0	SM112101ABA0A0NNV000AAMA0	SR360401S	KCF123778	DN 100	Ansi 150	566	359	52.2
SM112201AAB0A0NNV000AANA0	SM112201ABA0A0NNV000AANA0	SR480401S	KCF123893	DN 100	Ansi 300	602	381.2	65.2

### CODICI ARTICOLI IN F51 DUPLEX

CORPO/BODY F51 DUPLEX STAINLESS STEEL	ATTUATORE actuator	KIT di montaggio connecting kit	MISURA size	ANSI	N	H	Kg
SM104101AID0C0NNV000AAC0A	SR015401S	KCF033761	DN 15	Ansi 150	221	152.4	3.0
SM104201AID0C0NNV000AAE0A	SR030402S	KCF043888	DN 15	Ansi 300	240	164.4	3.4
SM105101AID0C0NNV000AAE0A	SR030402S	KCF043767	DN 20	Ansi 150	240	165.4	4.2
SM105201AID0C0NNV000AAE0A	SR030402S	KCF043889	DN 20	Ansi 300	240	169.4	4.5
SM106101AID0C0NNV000AAE0A	SR030402S	KCF043807	DN 25	Ansi 150	240	172.4	4.8
SM106201AID0C0NNV000AAE0A	SR030402S	KCF043890	DN 25	Ansi 300	240	175.4	5.2
SM107101AID0C0NNV000AAF0A	SR045401S	KCF053768	DN 32	Ansi 150	294	184.5	6.8
SM107201AID0C0NNV000AAF0A	SR045401S	KCF053768	DN 32	Ansi 300	294	184.5	7.3
SM108101AID0C0NNV000AAH0A	SR060401S	KCF053764	DN 40	Ansi 150	320	224.4	10.9
SM108201AID0C0NNV000AAH0A	SR060401S	KCF053764	DN 40	Ansi 300	320	224.4	12.3
SM109101AID0C0NNV000AAI0A	SR090401S	KCF073769	DN 50	Ansi 150	357	243	13.7
SM109201AID0C0NNV000AAJ0A	SR120401S	KCF073891	DN 50	Ansi 300	372	259.4	17.1
SM110101AID0C0NNV000AAJ0A	SR120401S	KCF073765	DN 65	Ansi 150	372	279.4	22.9
SM110201AID0C0NNV000AAK0A	SR180401S	KCF103892	DN 65	Ansi 300	436	297	27.7
SM111101AID0C0NNV000AAK0A	SR180401S	KCF103770	DN 80	Ansi 150	436	298	30.4
SM111201AID0C0NNV000AAL0A	SR240401S	KCF103892	DN 80	Ansi 300	456	316	34.8
SM112101AID0C0NNV000AAM0A	SR360401S	KCF123778	DN 100	Ansi 150	566	359	52.2
SM112201AID0C0NNV000AAN0A	SR480401S	KCF123893	DN 100	Ansi 300	602	381.2	65.2

## MAGNUM WAFER PN 16-40 IN ACCIAIO INOX CON ATTUATORE ELETTRICO STAINLESS STEEL MAGNUM WAFER PN16-40 WITH ELECTRIC ACTUATOR



MAGNUM Wafer

### CODICI ARTICOLI IN F304 - F316 STAINLESS STEEL

CORPO/BODY F304 STAINLESS STEEL	CORPO/BODY F316 STAINLESS STEEL	ATTUATORE actuator	KIT di montaggio connecting kit	MISURA size	PN	N	H	Kg
EM104F00AAB0A0NNV000AMEGO	EM104F00ABA0A0NNV000AMEGO	EA0035A5C000	KCF053775	DN 15	16-40	250	209	5.0
EM105F00AAB0A0NNV000AMEGO	EM105F00ABA0A0NNV000AMEGO	EA0035A5C000	KCF053775	DN 20	16-40	250	212	5.4
EM106F00AAB0A0NNV000AMEGO	EM106F00ABA0A0NNV000AMEGO	EA0035A5C000	KCF053768	DN 25	16-40	250	219	6.1
EM107F00AAB0A0NNV000AMEGO	EM107F00ABA0A0NNV000AMEGO	EA0070A5C000	KCF053768	DN 32	16-40	250	224	7.6
EM107S00AAB0A0NNV000AMEGO*	EM107S00ABA0A0NNV000AMEGO*	EA0070A5C000	KCF053768	DN 32	16-40	250	224	7.9
EM108F00AAB0A0NNV000AMGGO	EM108F00ABA0A0NNV000AMEGO	EA0070A5C000	KCF053764	DN 40	16-40	250	245	9.5
EM109F00AAB0A0NNV000AMIGO	EM109F00ABA0A0NNV000AMIGO	EA0130A5C000	KCF073769	DN 50	16-40	280	274.6	16.4
EM110E00AAB0A0NNV000AMIGO	EM110E00ABA0A0NNV000AMIGO	EA0130A5C000	KCF073765	DN 65	16	280	300.6	23.7
EM110I00AAB0A0NNV000AMKGO	EM110I00ABA0A0NNV000AMKGO	EA0240A5C000	KCF103770	DN 65	25-40	280	300.6	23.6
EM111F00AAB0A0NNV000AMKGO	EM111F00ABA0A0NNV000AMKGO	EA0240A5C000	KCF103770	DN 80	16-40	280	307.6	27.5
EM112E00AAB0A0NNV000AMNAO	EM112E00ABA0A0NNV000AMNAO	AE160040	KCE363779	DN 100	16	256.5	366	44.5
EM112I00AAB0A0NNV000AMNAO	EM112I00ABA0A0NNV000AMNAO	AE160040	KCE363776	DN 100	25-40	256.5	371	49.5

### CODICI ARTICOLI IN F51 DUPLEX

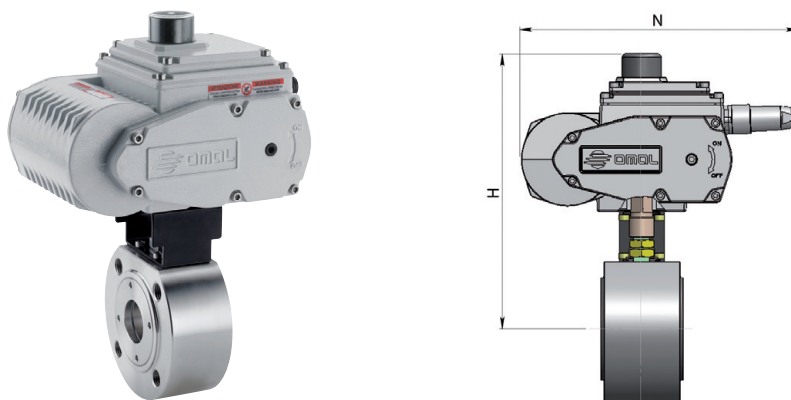
CORPO/BODY F51 DUPLEX STAINLESS STEEL	ATTUATORE actuator	KIT di montaggio connecting kit	MISURA size	PN	N	H	Kg
EM104F00AID0C0NNV000AMEGO	EA0035A5C000	KCF053775	DN 15	16-40	250	209	5.0
EM105F00AID0C0NNV000AMEGO	EA0035A5C000	KCF053775	DN 20	16-40	250	212	5.4
EM106F00AID0C0NNV000AMEGO	EA0035A5C000	KCF053768	DN 25	16-40	250	219	6.1
EM107F00AID0C0NNV000AMEGO	EA0070A5C000	KCF053768	DN 32	16-40	250	224	7.6
EM107S00AID0C0NNV000AMEGO*	EA0070A5C000	KCF053768	DN 32	16-40	250	224	7.9
EM108F00AID0C0NNV000AMEGO	EA0070A5C000	KCF053764	DN 40	16-40	250	245	9.5
EM109F00AID0C0NNV000AMEGO	EA0130A5C000	KCF073769	DN 50	16-40	280	274.6	16.4
EM110E00AID0C0NNV000AMIGO	EA0130A5C000	KCF073765	DN 65	16	280	300.6	23.7
EM110I00AID0C0NNV000AMKGO	EA0240A5C000	KCF103770	DN 65	25-40	280	300.6	23.6
EM111F00AID0C0NNV000AMKGO	EA0240A5C000	KCF103770	DN 80	16-40	280	307.6	27.5
EM112E00AID0C0NNV000AMNAO	AE160040	KCE363779	DN 100	16	256.5	366	44.5
EM112I00AID0C0NNV000AMNAO	AE160040	KCE363776	DN 100	25-40	256.5	371	49.5

\*Sfera non contenuta *Protuding ball*

Articoli disponibili anche con attuatore modulante *Items available also with modulating actuator*



## MAGNUM WAFER ANSI 150-300 IN ACCIAIO INOX CON ATTUATORE ELETTRICO STAINLESS STEEL MAGNUM WAFER ANSI 150-300 WITH ELECTRIC ACTUATOR



### CODICI ARTICOLI IN F304 - F316 STAINLESS STEEL

CORPO/BODY F304 STAINLESS STEEL	CORPO/BODY F316 STAINLESS STEEL	ATTUATORE actuator	KIT di montaggio connecting kit	MISURA size	ANSI	N	H	Kg
EM104101AAB0A0NNV000AMEGO	EM104101ABA0A0NNV000AMEGO	EA0035A5C000	KCF053775	DN 15	Ansi 150	250	209	5.0
EM104201AAB0A0NNV000AMEGO	EM104201ABA0A0NNV000AMEGO	EA0035A5C000	KCF053894	DN 15	Ansi 300	250	211	5.0
EM105101AAB0A0NNV000AMEGO	EM105101ABA0A0NNV000AMEGO	EA0035A5C000	KCF053775	DN 20	Ansi 150	250	212	5.4
EM105201AAB0A0NNV000AMEGO	EM105201ABA0A0NNV000AMEGO	EA0035A5C000	KCF053895	DN 20	Ansi 300	250	216	5.7
EM106101AAB0A0NNV000AMEGO	EM106101ABA0A0NNV000AMEGO	EA0035A5C000	KCF053768	DN 25	Ansi 150	250	219	6.1
EM106201AAB0A0NNV000AMEGO	EM106201ABA0A0NNV000AMEGO	EA0035A5C000	KCF053896	DN 25	Ansi 300	250	222	6.5
EM107101AAB0A0NNV000AMGG0	EM107101ABA0A0NNV000AMGG0	EA0070A5C000	KCF053768	DN 32	Ansi 150	250	224	7.1
EM107201AAB0A0NNV000AMGG0	EM107201ABA0A0NNV000AMGG0	EA0070A5C000	KCF053768	DN 32	Ansi 300	250	224	7.6
EM108101AAB0A0NNV000AMGG0	EM108101ABA0A0NNV000AMGG0	EA0070A5C000	KCF053764	DN 40	Ansi 150	250	245	8.8
EM108201AAB0A0NNV000AMGG0	EM108201ABA0A0NNV000AMGG0	EA0070A5C000	KCF053764	DN 40	Ansi 300	250	245	10.8
EM109101AAB0A0NNV000AMIGO	EM109101ABA0A0NNV000AMIGO	EA0130A5C000	KCF073769	DN 50	Ansi 150	280	274.6	16.6
EM109201AAB0A0NNV000AMIGO	EM109201ABA0A0NNV000AMIGO	EA0130A5C000	KCF073891	DN 50	Ansi 300	280	280.6	17.9
EM110101AAB0A0NNV000AMIGO	EM110101ABA0A0NNV000AMIGO	EA0130A5C000	KCF073765	DN 65	Ansi 150	280	300.6	24.0
EM110201AAB0A0NNV000AMKGO	EM110201ABA0A0NNV000AMKGO	EA0240A5C000	KCF103892	DN 65	Ansi 300	280	306.6	26.1
EM111101AAB0A0NNV000AMKGO	EM111101ABA0A0NNV000AMKGO	EA0240A5C000	KCF103770	DN 80	Ansi 150	280	307.6	27.9
EM111201AAB0A0NNV000AMKGO	EM111201ABA0A0NNV000AMKGO	EA0240A5C000	KCF103892	DN 80	Ansi 300	280	313.6	31.5
EM112101AAB0A0NNV000AMNA0	EM112101ABA0A0NNV000AMNA0	AE160040	KCE363779	DN 100	Ansi 150	256.5	366	44.5
EM112201AAB0A0NNV000AMNA0	EM112201ABA0A0NNV000AMNA0	AE160040	KCE363897	DN 100	Ansi 300	256.5	381	56.9

### CODICI ARTICOLI IN F51 DUPLEX

CORPO/BODY F51 DUPLEX STAINLESS STEEL	ATTUATORE actuator	KIT di montaggio connecting kit	MISURA size	ANSI	N	H	Kg
EM104101AID0C0NNV000AMEGO	EA0035A5C000	KCF053775	DN 15	Ansi 150	250	209	5.0
EM104201AID0C0NNV000AMEGO	EA0035A5C000	KCF053894	DN 15	Ansi 300	250	211	5.0
EM105101AID0C0NNV000AMEGO	EA0035A5C000	KCF053775	DN 20	Ansi 150	250	212	5.4
EM105201AID0C0NNV000AMEGO	EA0035A5C000	KCF053895	DN 20	Ansi 300	250	216	5.7
EM106101AID0C0NNV000AMEGO	EA0035A5C000	KCF053768	DN 25	Ansi 150	250	219	6.1
EM106201AID0C0NNV000AMEGO	EA0035A5C000	KCF053896	DN 25	Ansi 300	250	222	6.5
EM107101AID0C0NNV000AMGG0	EA0070A5C000	KCF053768	DN 32	Ansi 150	250	224	7.1
EM107201AID0C0NNV000AMGG0	EA0070A5C000	KCF053768	DN 32	Ansi 300	250	224	7.6
EM108101AID0C0NNV000AMGG0	EA0070A5C000	KCF053764	DN 40	Ansi 150	250	245	8.8
EM108201AID0C0NNV000AMGG0	EA0070A5C000	KCF053764	DN 40	Ansi 300	250	245	10.8
EM109101AID0C0NNV000AMIGO	EA0130A5C000	KCF073769	DN 50	Ansi 150	280	274.6	16.6
EM109201AID0C0NNV000AMIGO	EA0130A5C000	KCF073891	DN 50	Ansi 300	280	280.6	17.9
EM110101AID0C0NNV000AMIGO	EA0130A5C000	KCF073765	DN 65	Ansi 150	280	300.6	24.0
EM110201AID0C0NNV000AMKGO	EA0240A5C000	KCF103892	DN 65	Ansi 300	280	306.6	26.1
EM111101AID0C0NNV000AMKGO	EA0240A5C000	KCF103770	DN 80	Ansi 150	280	307.6	27.9
EM111201AID0C0NNV000AMKGO	EA0240A5C000	KCF103892	DN 80	Ansi 300	280	313.6	31.5
EM112101AID0C0NNV000AMNG0	AE160040	KCE363779	DN 100	Ansi 150	256.5	366	44.5
EM112201AID0C0NNV000AMNG0	AE160040	KCE363897	DN 100	Ansi 300	256.5	381	56.9

Articoli disponibili anche con attuatore modulante *Items available also with modulating actuator*