

**DESCRIPTION**

Solenoid valve 2 way normally closed in stainless steel AISI 316 direct acting poppet type

**CONSTRUCTION**

Body	AISI 316
Armature tube	AISI 316
Plunger and core	AISI 430FR
Shading ring	Silver
Springs	AISI 316
Seal material	NBR - FPM - EPDM - PTFE - FFKM (Kalrez)



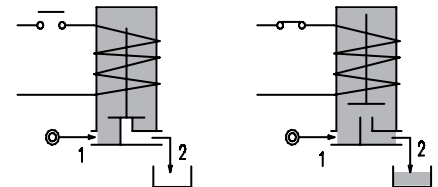
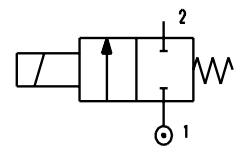
2

**FEATURES**

Maximum allowable pressure PS 100bar<sup>⑤</sup>  
 Maximum fluid viscosity 25cSt (mm<sup>2</sup>/s)  
 Ambient temperature: from -10°C to +80°C according to the coil  
 Universal mounting position

**OPTIONS:** Versions for use with industrial oxygen  
 c US certified coils

**ON REQUEST:** Versions for use with fluid temperature at -40°C



CODE ① ② ③	Connection G ISO 228	Orifice mm	Kv m³/h	Differential pressure bar			Nominal power			Coil		Seal ②	Temp. range °C	
				Min	Max		AC Inrush	VA Holding	DC Watt	Series	Width			
					AC	DC								
E170... ..10///...	1/4"	1	0.04	0	80	80	20	15	10	2	30	NBR=B	-10 +90	
E170... ..12///...		1.2	0.05	0	60	60								
E170... ..15///...		1.5	0.07	0	30	26								
E170... ..20///...		2	0.1	0	22	20								
E170... ..25///...		3/8"	2.5	0.15	0	16								14
E170... ..30///...		1/2"	3	0.25	0	15								10
E170... ..35///...			3.5	0.32	0	10								8
E170... ..40///...			4	0.36	0	8								5
E170... ..45///...			4.5	0.41	0	6.5								3.5
E170... ..10///...	1/4"	1	0.04	0	100	100	40	30	27	5	36	PTFE=W ④	-10 +180	
E170... ..12///...		1.2	0.05	0	100	100								
E170... ..15///...		1.5	0.07	0	80	80								
E170... ..20///...		2	0.1	0	50	40								
E170... ..25///...		3/8"	2.5	0.15	0	35								33
E170... ..30///...		1/2"	3	0.25	0	25								24
E170... ..35///...			3.5	0.32	0	20								19
E170... ..40///...			4	0.36	0	16								15
E170... ..45///...			4.5	0.41	0	14								13

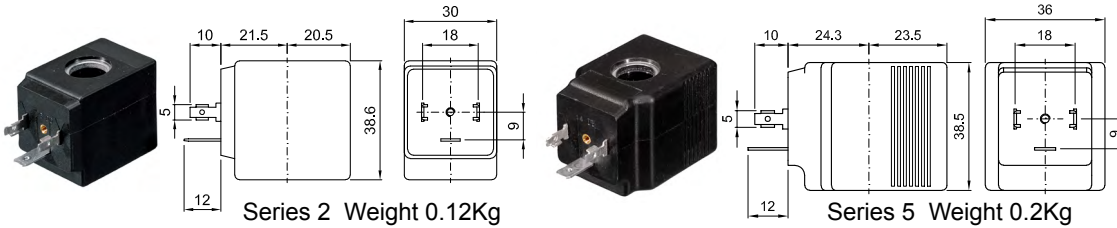
- ① Connection: B=1/4", C=3/8", D=1/2"
- ② Seal Example: E170BE35///20E EPDM seal
- ③ Coil Coil 230V 50/60Hz
- ④ Max allowable leakage <0.2NI/h
- ⑤ The maximum allowable pressure PS for steam is 9bar (gauge pressure) with PTFE seals and 2,5bar with EPDM seals

COILS ②	Alternating Current 50/60Hz (V)							Direct Current (V)			Electrical connection	Connectors
	12	24	48	110	220 230	240	380	12	24	48		
Series 2 Width 30	20A	20B	20C	20D	20E	20F	20G	200	201	202	DIN 43650A	PG9 code 10349000
Series 5 Width 36	52A	52B	52C	52D	52E	52F	52G	520	521	522	DIN 43650A	PG11 code 10349001

**DESCRIPTION**  
 Insulation class  
 Series 2 =F Series 5=H  
 Voltage tolerance  
 AC +15% -10%  
 DC ± 10%  
 Protection class  
 IP65 with connector fitted  
 IP00 without connector

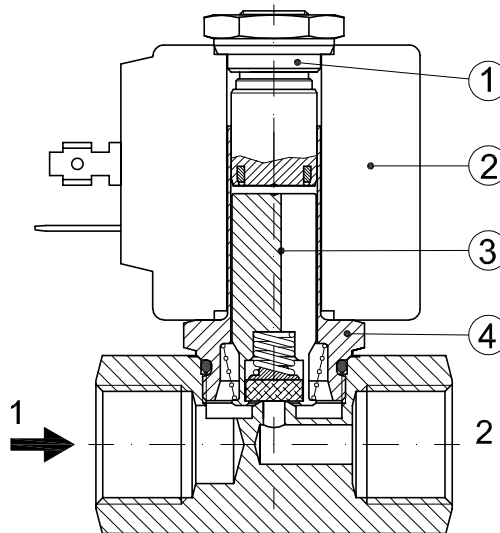
**OPTIONS**  
 Class H insulation (series 2)  
 Cable attached  
 Special coil voltage  
 Special coil powers  
 CE certified coils

(for coil details see section 8)



### SPARE PARTS LIST

1. Coil fixing nut
2. Coil
3. Plunger
4. Armature tube assembly



### OVERALL DIMENSION

