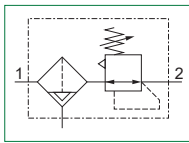
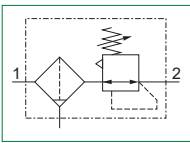


Filter regulators


- ▶ Filter - diaphragm pressure regulator with relieving
- ▶ Available in 3 sizes with flow rates up to 3500 NI/min and connections from 1/8" to 3/4"
- ▶ Low hysteresis rolling diaphragm and balanced spool
- ▶ Filtering element made of HDPE available in 3 different filtration grades (5µm, 20µm and 50µm)
- ▶ Bowls screwed to the body (Size 1)
- ▶ Bowl assembly via bayonet type quick coupling mechanism with safety button (Size 2 - Size 3)
- ▶ Semi-automatic or automatic drain
- ▶ Available in four pressure ranges up to 12 bar
- ▶ Fitted with panel mounting locking ring
- ▶ Atex certification (II 2GD o II 3GD) on request


Note

For installations where a more accurate and constant pressure is required, the unit should be installed as close as possible to the point of use. In order to ensure that any fluid discharged by the auto drain assembly is adequately drained away, it is recommended you to use a 6mm fitting and tube.

2
AIR TREATMENT

Technical characteristics	Size		
	Size 1	Size 2	Size 3
Body and connections type	Zinc alloy body, Zinc alloy integrated connections Technopolymer body, metal connections	Aluminium body, integrated aluminium connections	
Protection and bowl type	Technopolymer protection - PA bowl (Size 1 available without protection)		
IN / OUT connections	G1/8" - G1/4"	G1/4" - G3/8"	G3/8" - G1/2", G3/4"
Assembly configuration	Stand alone Panel mounting Panel mounted with M4 screws With fixing bracket	Stand alone Panel mounting Panel mounted with M5 screws With fixing bracket	Stand alone Panel mounting Panel mounted with M6 screws With fixing bracket
Assembly position	Vertical ±5°		
Filter pore size (µm)	5 / 20 / 50		
Pressure range (bar)	0 - 2 / 0 - 4 / 0 - 8 / 0 - 12		
Bowl capacity (cm³)	20	30	48
Condensation drain	Semi-automatic Automatic		
Regulation	Manual push and lock with pressure Manual lockable with accessories		
Pressure measurement	G1/8" Pressure gauge connection port		
Max. fittings torque IN / OUT connections	G1/8" metal: 15 G1/4" metal: 20	G1/4" metal: 20 G3/8" metal: 25	G3/8" metal: 25 G1/2" metal: 30 G3/4" metal: 35

Operational characteristics	Size					
	Size 1	Size 2	Size 3	Size 1	Size 2	Size 3
	Semi-automatic condensation drain			Automatic condensation drain		
Maximum working pressure (bar)	13			10		
Minimum working pressure (bar)	0,5					
Working temperature (°C)	-5 ÷ +50					

Weights	Size		
	Size 1	Size 2	Size 3
Zinc alloy body version (g)	295	/	/
Technopolymer body version (g)	180	/	/
Aluminium body version (g)	/	450	645



Order codes

17 304A . B . D . S . K

Size, body and connections

004A : Zinc alloy body, connections G1/8" (only for size 1)
004B : Zinc alloy body, connections G1/4" (only for size 1)
104A : Technopolymer body, connections G1/8" (only for size 1)
104B : Technopolymer body, connections G1/4" (only for size 1)
204A : Aluminium body, connections G1/4" (only for size 2)
204B : Aluminium body, connections G3/8" (only for size 2)
304A : Aluminium body, connections G3/8" (only for size 3)
304B : Aluminium body, connections G1/2" (only for size 3)
304E : Aluminium body, connections G3/4" (only for size 3)

Filter pore size

A : 5 µm
B : 20 µm
C : 50 µm

Pressure range

A : 0 - 2 bar
B : 0 - 4 bar
C : 0 - 8 bar
D : 0 - 12 bar

Type

P : Bowl protection (only for size 1)
S : Automatic drain (for all sizes)
PS : Bowl protection and automatic drain (only for size 1)

Options

: Standard
K : Lockable version
U : Lockable version with universal key

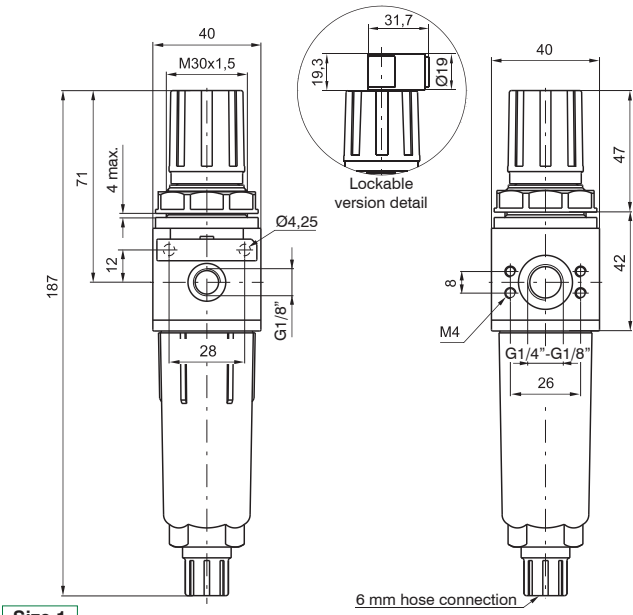
Example: 17304A.B.D.S.K

Filter regulator size 3, aluminium body, G3/8" connections, filter pore size 20 µm 0 - 12 bar, automatic drain lockable version

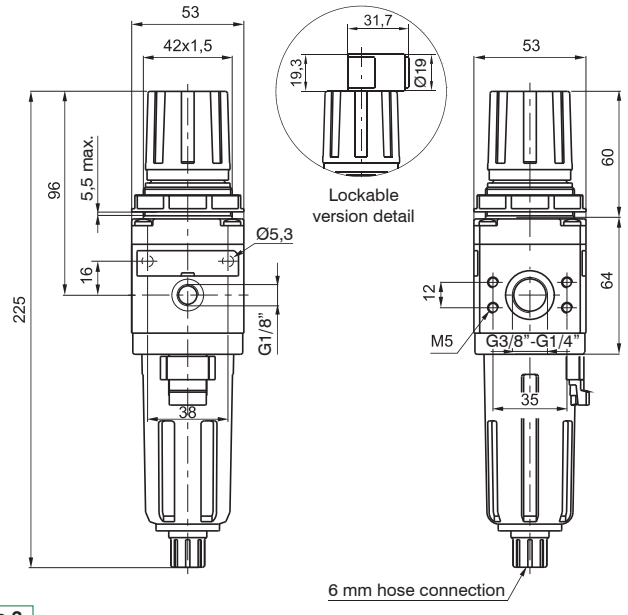
Dimensions

2

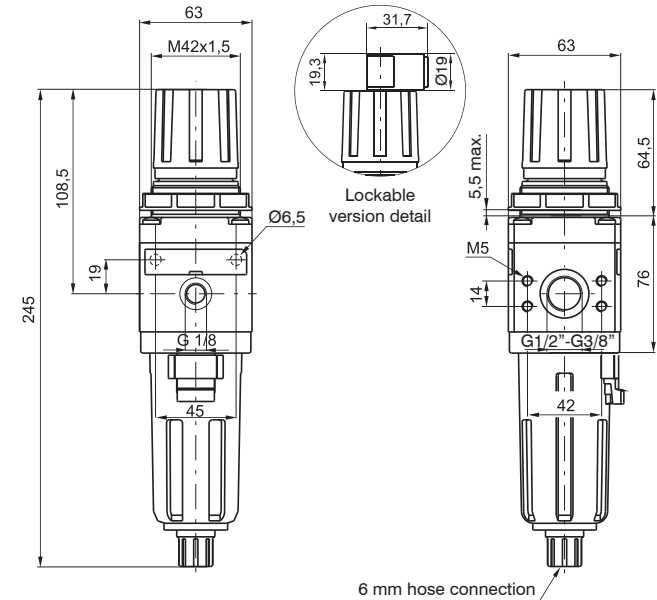
AIR TREATMENT



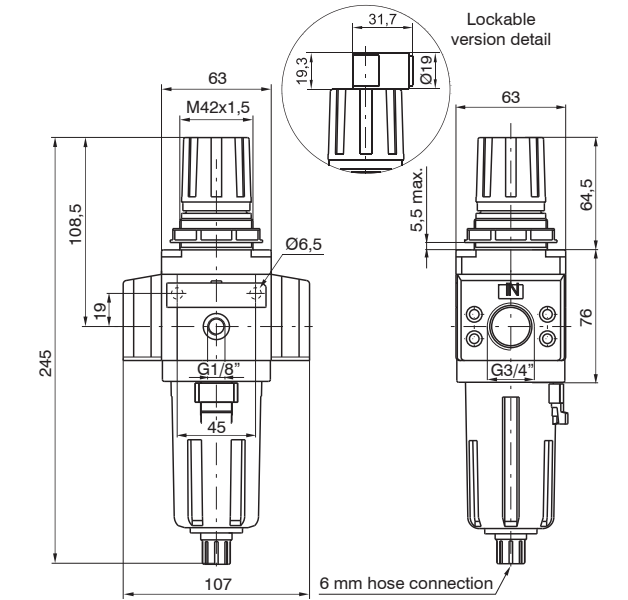
Size 1



Size 2



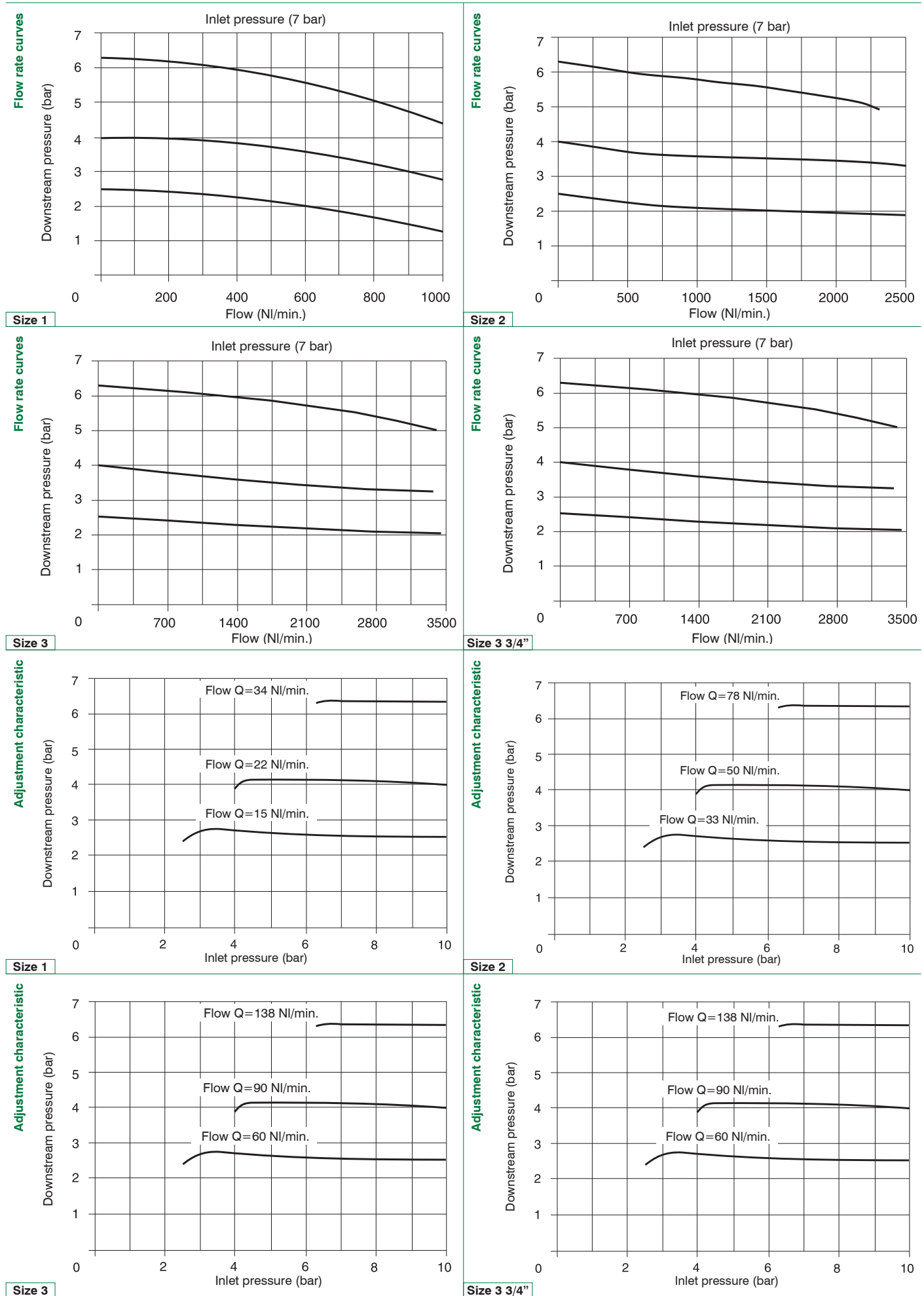
Size 3



Size 3 3/4"



Characteristic curves



2

AIR TREATMENT