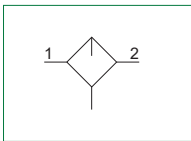




- ▶ Oil mist lubricator
- ▶ Available in 4 sizes with flow rates up to 10000 NI/min and connections from 1/8" to 1"
- ▶ Bowls screwed to the body (Size 1)
- ▶ Bowl assembly via bayonet type quick coupling mechanism with safety button (Size 2 - Size 3 - Size 4)
- ▶ Variable orifice size in function of the flow rate
- ▶ Oil quantity regulation mechanism and oil quantity visualization dome made of polycarbonate (PC)
- ▶ Oil refill plug
- ▶ Available with low level electrical sensor NO and NC
- ▶ Atex certification (II 2GD o II 3GD) on request

**2**
**AIR TREATMENT**


Technical characteristics	Size			
	Size 1	Size 2	Size 3	Size 4
<b>Body and connections type</b>	Zinc alloy body, Zinc alloy integrated connections Technopolymer body, metal connections	Aluminium body, integrated aluminium connections		
<b>Protection and bowl type</b>	Technopolymer protection - PA bowl (Size 1 available without protection)			Metal bowl with blind metal bowl
<b>IN / OUT connections</b>	G1/8" - G1/4"	G1/4" - G3/8"	G3/8" - G1/2", G3/4"	G1"
<b>Assembly configuration</b>	Stand alone Panel mounted with M4 screws	Stand alone Panel mounted with M5 screws	Stand alone Panel mounted with M6 screws	Stand alone Panel mounted with M8 screws
<b>Assembly position</b>	Vertical ±5°			
<b>Bowl capacity (cm³)</b>	36	52	62	300
<b>Lubrication type</b>	Oil mist			
<b>Oil level regulation</b>	Manual, complete with visual indicator			
<b>Max. fittings torque IN / OUT connections</b>	G1/8" metal: 15 G1/4" metal: 20	G1/4" metal: 20 G3/8" metal: 25	G3/8" metal: 25 G1/2" metal: 30 G3/4" metal: 35	G1" metal: 35

Operational characteristics	Size			
	Size 1	Size 2	Size 3	Size 4
<b>Maximum working pressure (bar)</b>	13			
<b>Minimum working pressure (bar)</b>	0,5			
<b>Min. operational flow at 6,3 bar (NI/min)</b>	10	20	100	
<b>Indicative oil drop rate (NI/min)</b>	1 drope every 300/600			
<b>Oil type</b>	FD22 - HG32			
<b>Working temperature (°C)</b>	-5 ÷ +50			

Weights	Size			
	Size 1	Size 2	Size 3	Size 4
Zinc alloy body version (g)	258	/	/	/
Technopolymer body version (g)	108	/	/	/
Aluminium body version (g)	/	280	435	1500



Order codes

17 303A . MA

Size, body and connections
003A : Zinc alloy body, connections G1/8" (only for size 1)
003B : Zinc alloy body, connections G1/4" (only for size 1)
103A : Technopolymer body, connections G1/8" (only for size 1)
103B : Technopolymer body, connections G1/4" (only for size 1)
203A : Aluminium body, connections G1/4" (only for size 2)
203B : Aluminium body, connections G3/8" (only for size 2)
303A : Aluminium body, connections G3/8" (only for size 3)
303B : Aluminium body, connections G1/2" (only for size 3)
303E : Aluminium body, connections G3/4" (only for size 3)
403B : Aluminium body, connections G1" (only for size 4)

Type
P : Protected bowl (only for size 1)
MA : Electrical minimum level sensor NO (not available for Size 1)
MC : Electrical minimum level sensor NC (not available for Size 1)

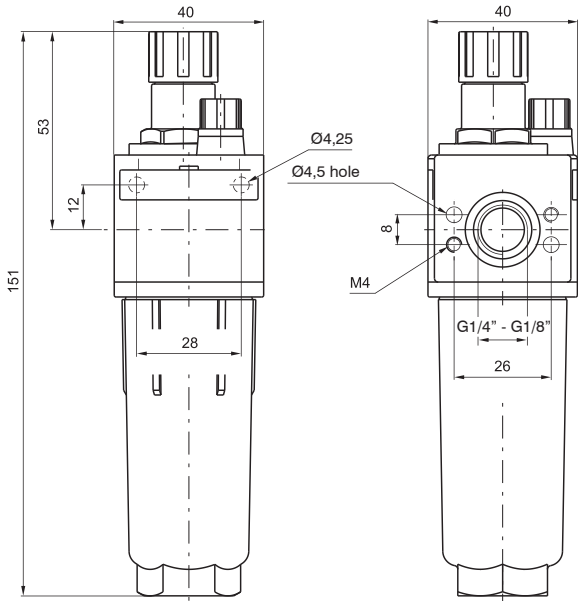
**Example: 17303A.MA**

Size 3 Lubricator, Aluminium body, G3/8" connections, normally open low level electrical sensor

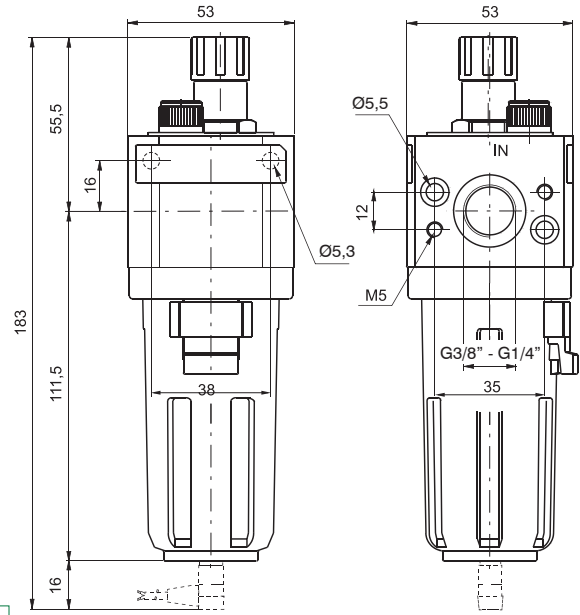
**Dimensions**

2

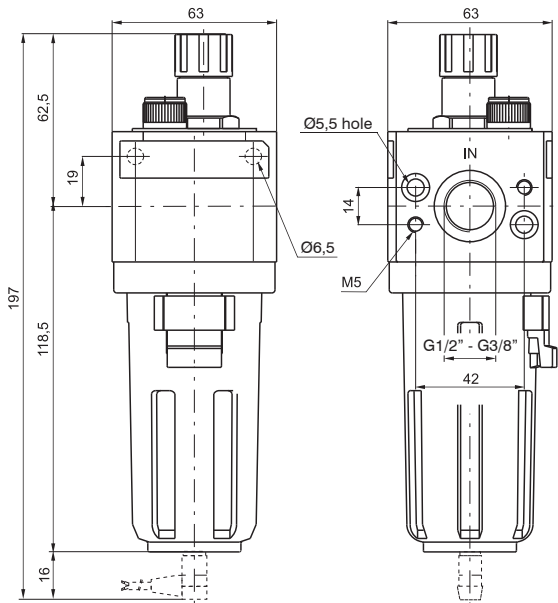
AIR TREATMENT



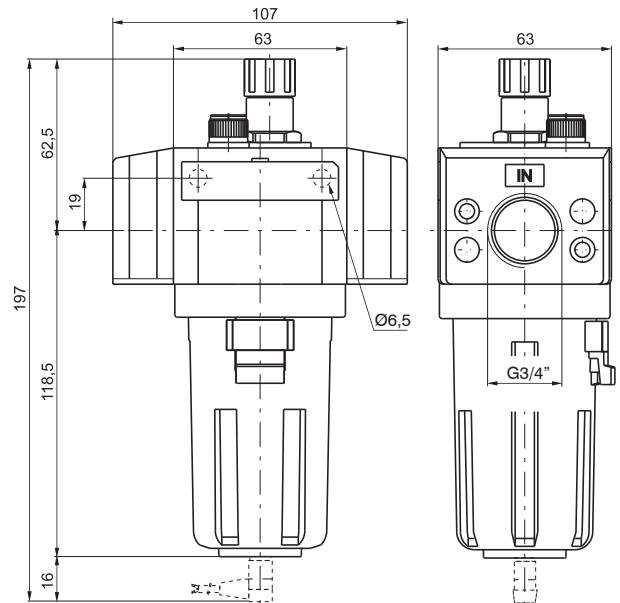
**Size 1**



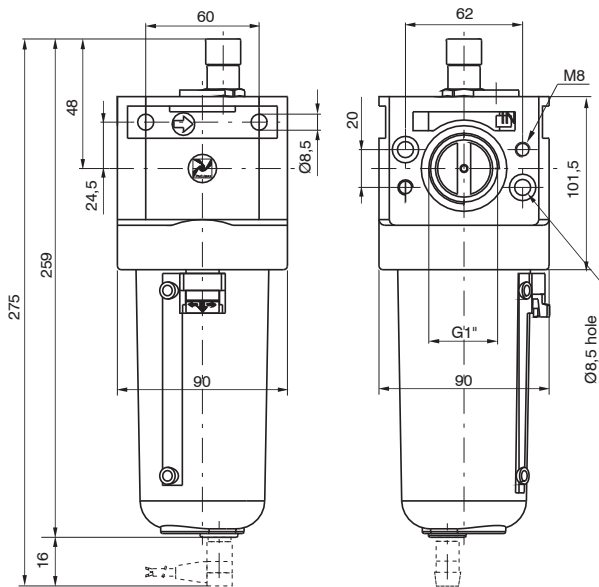
**Size 2**



**Size 3**



**Size 3 3/4"**

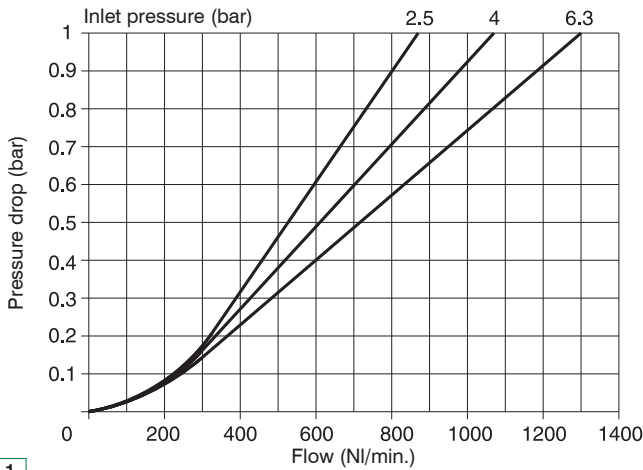


**Size 4**



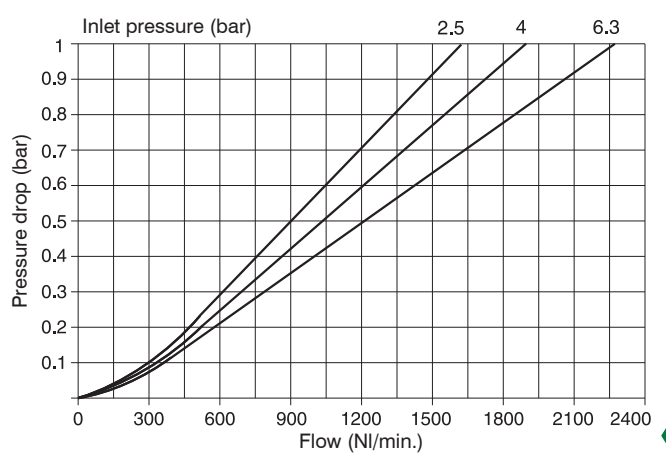
Characteristic curves

Flow rate curves



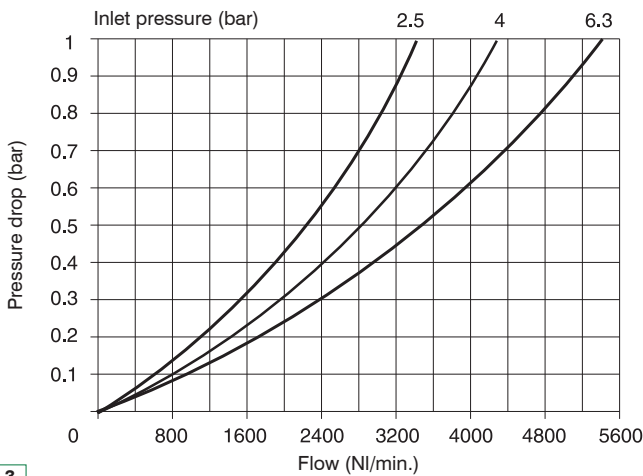
Size 1

Flow rate curves



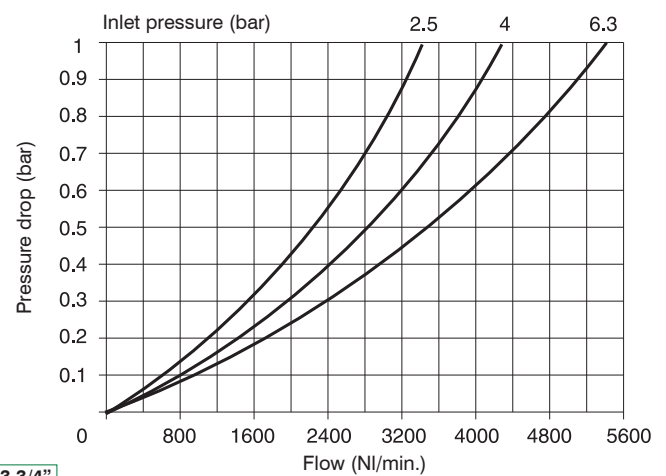
Size 2

Flow rate curves



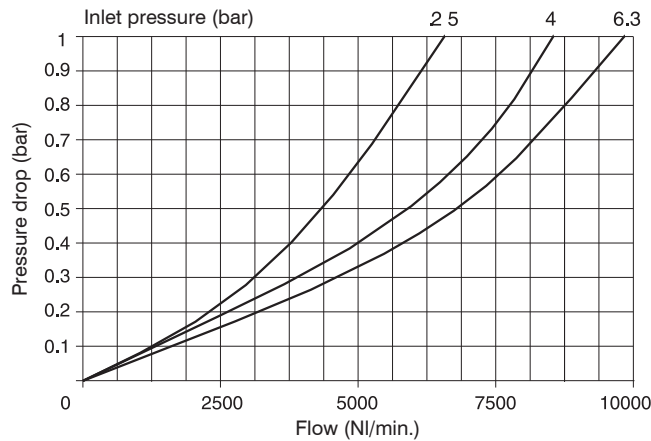
Size 3

Flow rate curves



Size 3 3/4"

Flow rate curves



Size 4

2

AIR TREATMENT