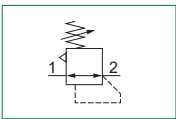




- ▶ Diaphragm pressure regulator with relieving
- ▶ Available in 4 sizes with flow rates up to 8000 NI/min and connections from 1/8" to 1"
- ▶ Low hysteresis rolling diaphragm and balanced spool
- ▶ Available in four pressure ranges up to 12 bar
- ▶ Fitted with panel mounting locking ring
- ▶ High flow rate of the discharge valve for the downstream overpressure (Size 4)
- ▶ Atex certification (II 2GD o II 3GD) on request

2
AIR TREATMENT

Note

For installations where a more accurate and constant pressure is required, the unit should be installed as close as possible to the point of use.

Technical characteristics	Size			
	Size 1	Size 2	Size 3	Size 4
Body and connections type	Zinc alloy body, Zinc alloy integrated connections Technopolymer body, metal connections	Aluminium body, integrated aluminium connections		
IN / OUT connections	G1/8" - G1/4"	G1/4" - G3/8"	G3/8" - G1/2", G3/4"	G1"
Assembly configuration	Stand alone Panel mounting Panel mounted with M4 screws With fixing bracket	Stand alone Panel mounting Panel mounted with M5 screws With fixing bracket	Stand alone Panel mounting Panel mounted with M6 screws With fixing bracket	Stand alone Panel mounting Panel mounted with M8 screws
Assembly position	Indifferent			
Pressure range (bar)	0 - 2 / 0 - 4 / 0 - 8 / 0 - 12			
Regulation	Manual push and lock with pressure Manual lockable with accessories			
Pressure measurement	G1/8" Pressure gauge connection port			
Max. fittings torque IN / OUT connections	G1/8" metal: 15 G1/4" metal: 20	G1/4" metal: 20 G3/8" metal: 25	G3/8" metal: 25 G1/2" metal: 30 G3/4" metal: 35	G1" metal: 35

Operational characteristics	Size			
	Size 1	Size 2	Size 3	Size 4
Maximum working pressure (bar)	13			
Minimum working pressure (bar)	0,5			
Working temperature (°C)	-5 ÷ +50			

Weights	Size			
	Size 1	Size 2	Size 3	Size 4
Zinc alloy body version (g)	250	/	/	/
Technopolymer body version (g)	135	/	/	/
Aluminium body version (g)	/	390	550	1900



Order codes

17 302A . D . L . K

Size, body and connections
002A : Zinc alloy body, connections G1/8" (only for size 1)
002B : Zinc alloy body, connections G1/4" (only for size 1)
102A : Technopolymer body, connections G1/8" (only for size 1)
102B : Technopolymer body, connections G1/4" (only for size 1)
202A : Aluminium body, connections G1/4" (only for size 2)
202B : Aluminium body, connections G3/8" (only for size 2)
302A : Aluminium body, connections G3/8" (only for size 3)
302B : Aluminium body, connections G1/2" (only for size 3)
302E : Aluminium body, connections G3/4" (only for size 3)
402NB : Aluminium body, connections G1" (only for size 4)

Pressure range
A : 0 - 2 bar
B : 0 - 4 bar
C : 0 - 8 bar
D : 0 - 12 bar

Type
L : Without relieving
SM : Improved relieving (not available for Size 4)

Options
: Standard
K : Lockable version
U : Lockable version with universal key

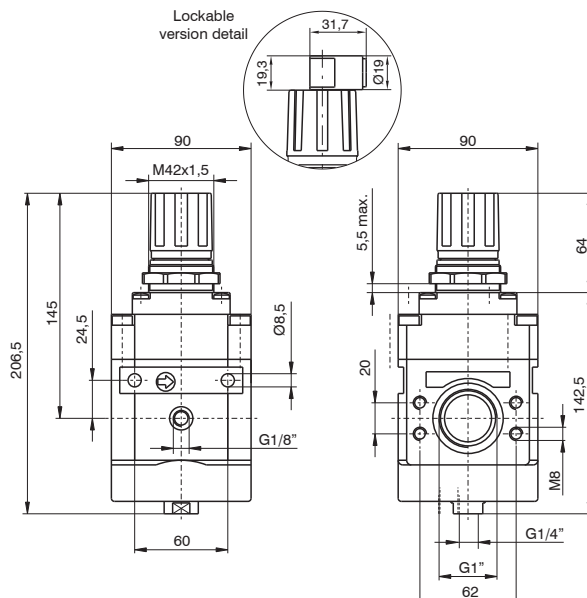
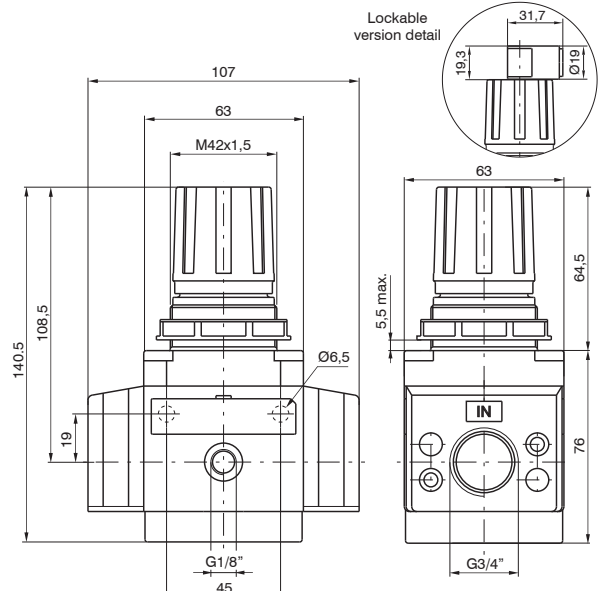
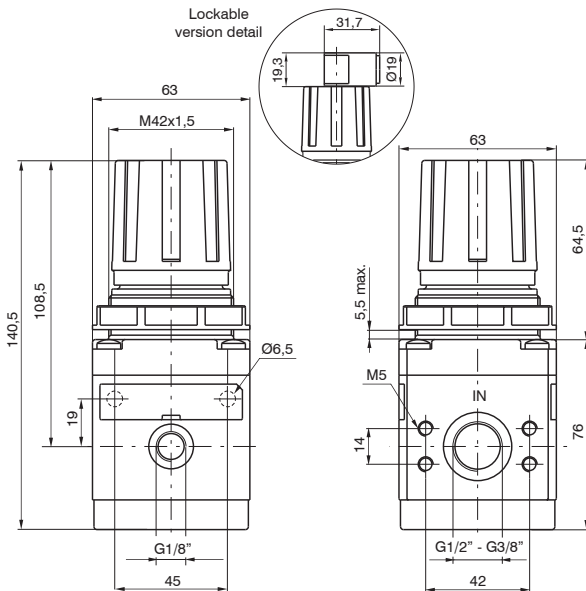
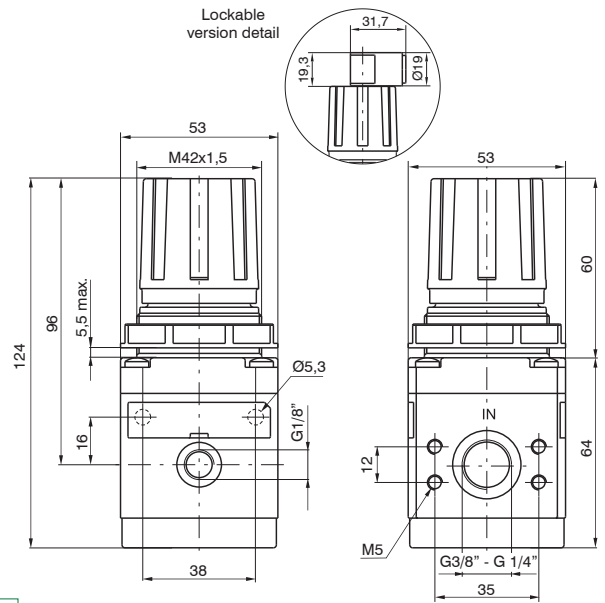
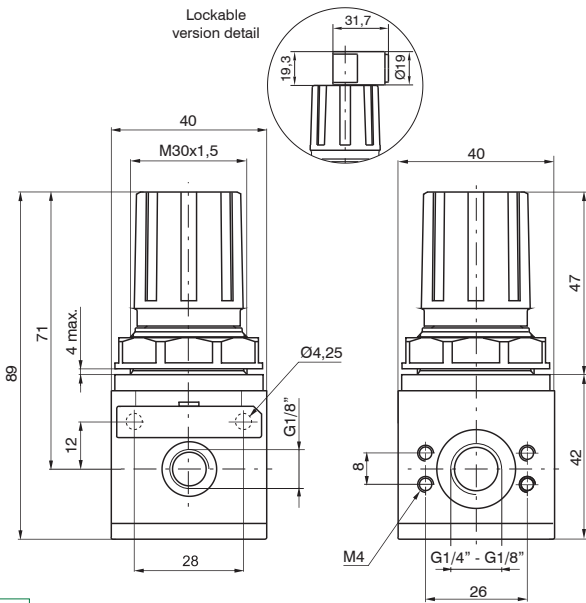
Example: 17302A.D.L.K

Regulator size 3, body in light aluminium alloy, G3/8"connections, 0 - 12 bar, without relieving, lockable version

Dimensions

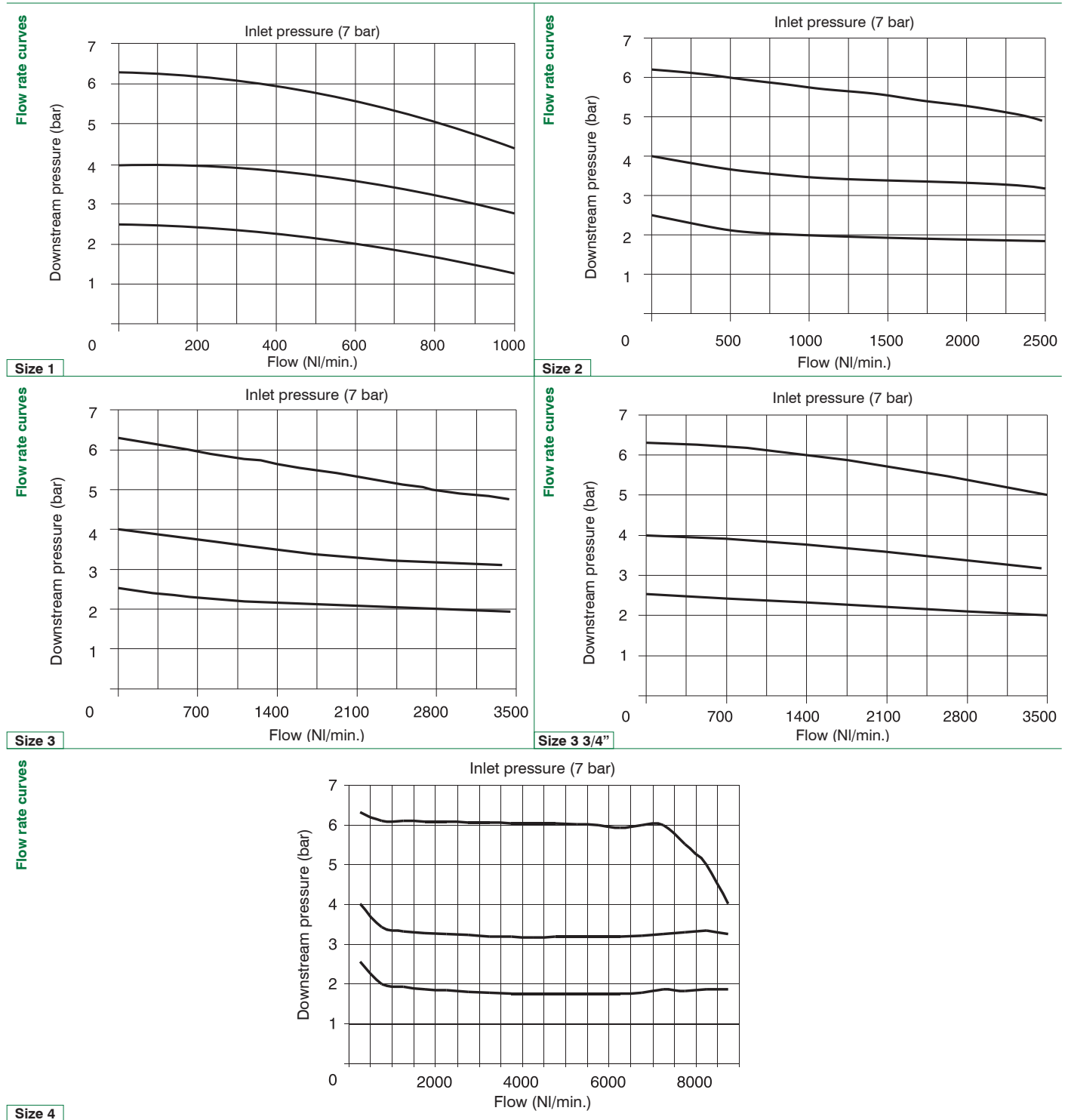
2

AIR TREATMENT





Characteristic curves

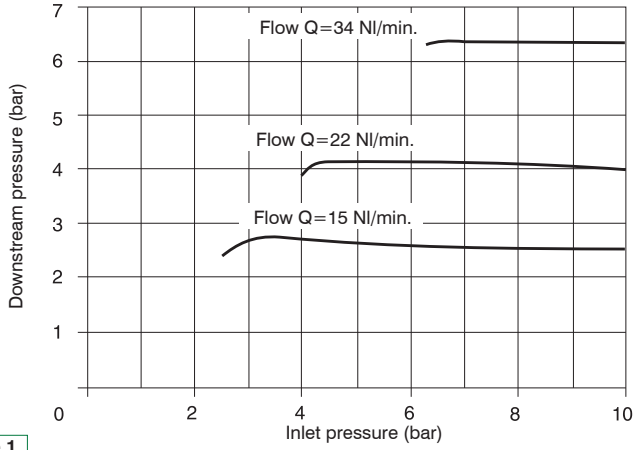


2

AIR TREATMENT

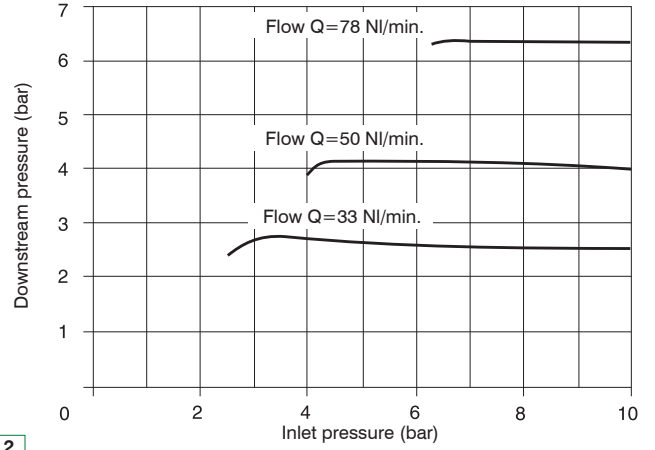


Adjustment characteristic



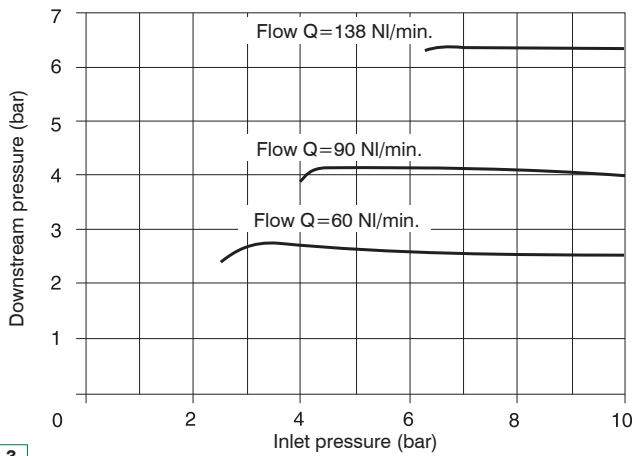
Size 1

Adjustment characteristic



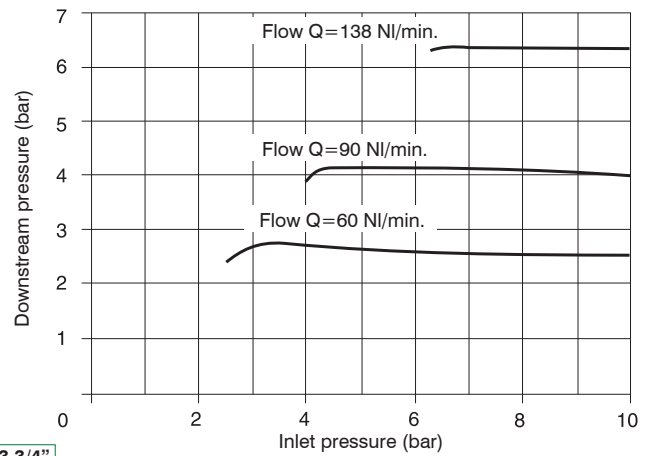
Size 2

Adjustment characteristic



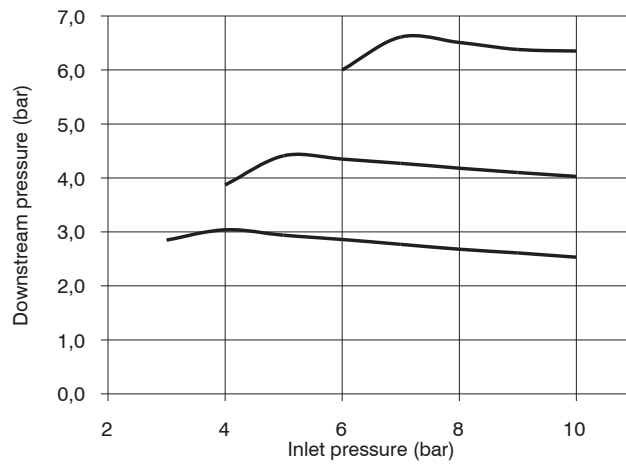
Size 3

Adjustment characteristic



Size 3 3/4"

Adjustment characteristic



Size 4