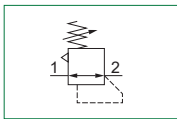




▶ Regulators with integrated pressure gauge



- ▶ Diaphragm pressure regulator with relieving
- ▶ Available in 4 sizes with flow rates up to 3500 NI/min and connections from 1/8" to 1/2"
- ▶ Low hysteresis rolling diaphragm and balanced spool
- ▶ Available in four pressure ranges up to 12 bar
- ▶ Fitted with panel mounting locking ring
- ▶ Pressure gauge included on the top of adjusting knob
- ▶ Atex certification (II 2GD o II 3GD) on request



**Note**

For installations where a more accurate and constant pressure is required, the unit should be installed as close as possible to the point of use.

Technical characteristics	Size		
	Size 1	Size 2	Size 3
<b>Body and connections type</b>	Zinc alloy body, Zinc alloy integrated connections Technopolymer body, metal connections	Aluminium body, integrated aluminium connections	
<b>IN / OUT connections</b>	G1/8" - G1/4"	G1/4" - G3/8"	G3/8" - G1/2"
<b>Assembly configuration</b>	Stand alone Panel mounting Panel mounted with M4 screws With fixing bracket	Stand alone Panel mounting Panel mounted with M5 screws With fixing bracket	Stand alone Panel mounting Panel mounted with M6 screws With fixing bracket
<b>Assembly position</b>	Indifferent		
<b>Pressure range (bar)</b>	0 - 2 / 0 - 4 / 0 - 8 / 0 - 12		
<b>Regulation</b>	Manual push and lock with pressure		
<b>Pressure measurement</b>	G1/8" Pressure gauge connection port is included on the top of adjusting knob		
<b>Max. fittings torque IN / OUT connections</b>	G1/8" metal: 15 G1/4" metal: 20	G1/4" metal: 20 G3/8" metal: 25	G3/8" metal: 25 G1/2" metal: 30

Operational characteristics	Size		
	Size 1	Size 2	Size 3
<b>Maximum working pressure (bar)</b>	13		
<b>Minimum working pressure (bar)</b>	0,5		
<b>Working temperature (°C)</b>	-5 ÷ +50		

Weights	Size		
	Size 1	Size 2	Size 3
Zinc alloy body version (g)	380	/	/
Technopolymer body version (g)	250	/	/
Aluminium body version (g)	/	440	600

2  
AIR TREATMENT

**Order codes**

17 322A . D

**Size, body and connections**

<b>022A</b> : Zinc alloy body, connections G1/8" (only for size 1)
<b>022B</b> : Zinc alloy body, connections G1/4" (only for size 1)
<b>122A</b> : Technopolymer body, connections G1/8" (only for size 1)
<b>122B</b> : Technopolymer body, connections G1/4" (only for size 1)
<b>222A</b> : Aluminium body, connections G1/4" (only for size 2)
<b>222B</b> : Aluminium body, connections G3/8" (only for size 2)
<b>322A</b> : Aluminium body, connections G3/8" (only for size 3)
<b>322B</b> : Aluminium body, connections G1/2" (only for size 3)

**Pressure range**

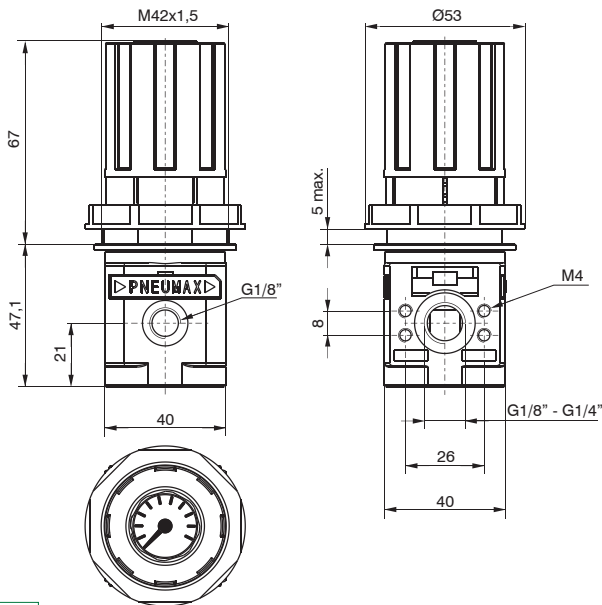
<b>A</b> : 0 - 2 bar
<b>B</b> : 0 - 4 bar
<b>C</b> : 0 - 8 bar
<b>D</b> : 0 - 12 bar

**Example: 17322A.D**

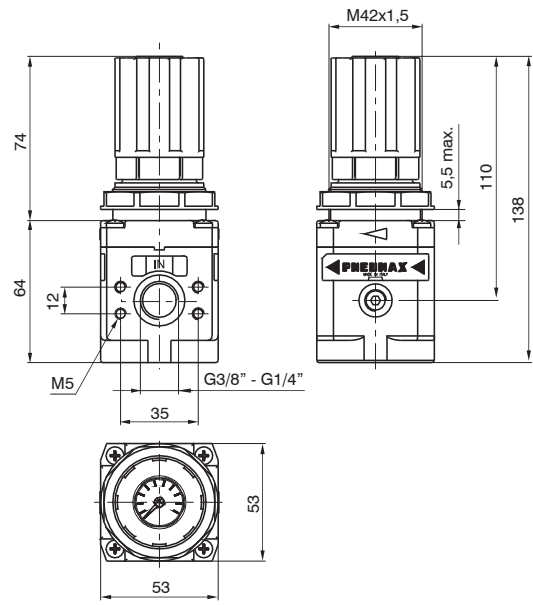
Size 3 regulator with integrated pressure gauge, Aluminium body, G3/8" connections, 0 - 12 bar

**Dimensions**

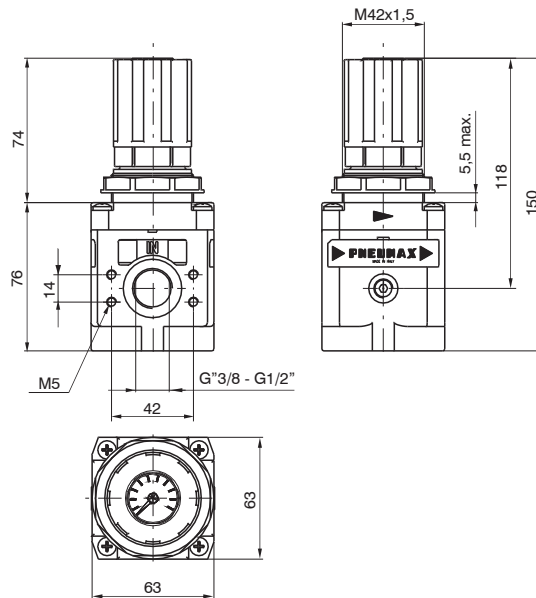
AIR TREATMENT



Size 1



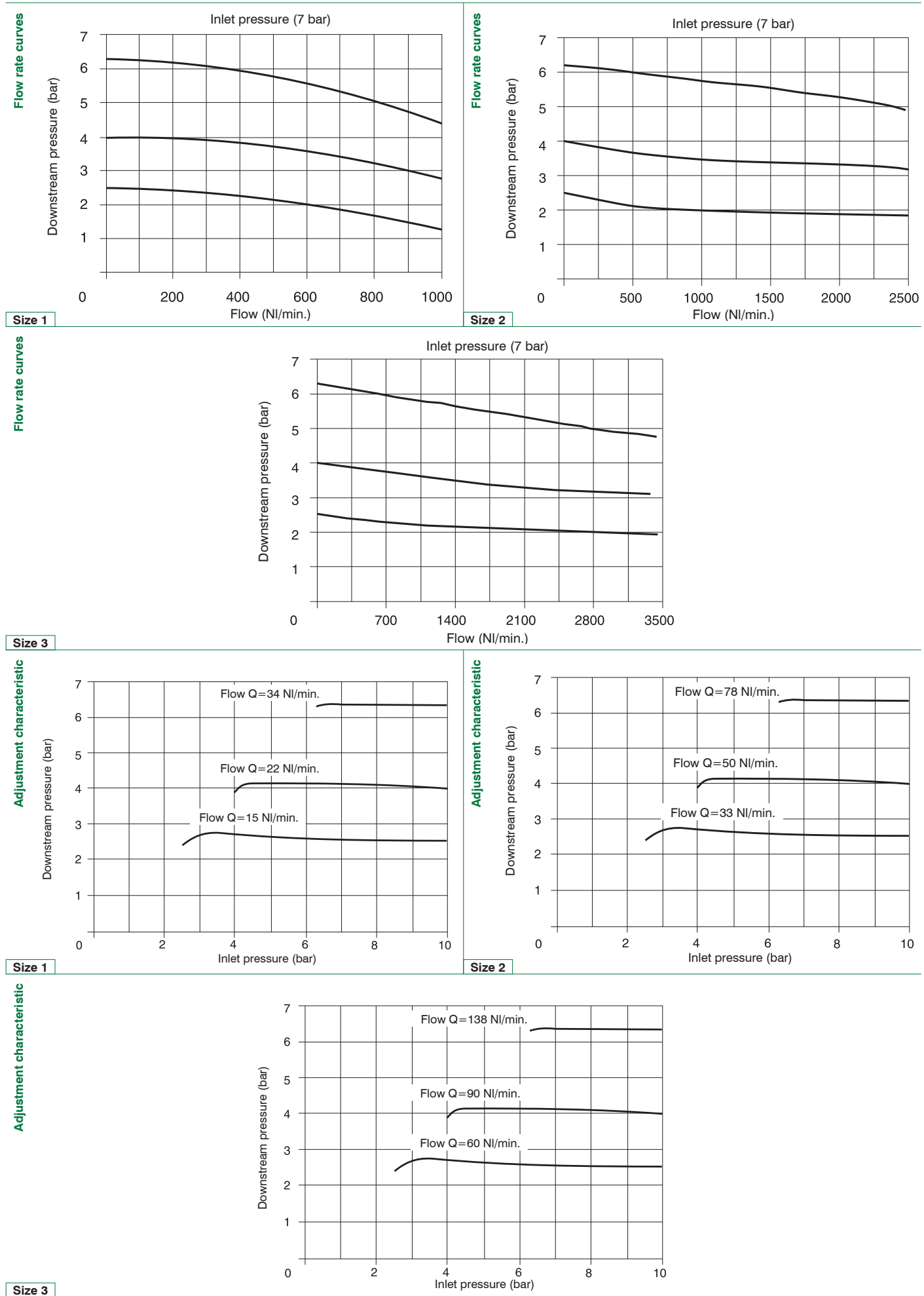
Size 2



Size 3



Characteristic curves



2

AIR TREATMENT