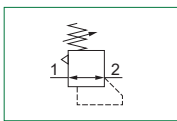


▶ Panel mounting pressure regulator



- ▶ Diaphragm pressure regulator with relieving
- ▶ Balanced poppet
- ▶ Technopolymer body, metal connections
- ▶ Pressure adjusting lockable handle by simply pressing it downwards in the desired position
- ▶ Ring nut for panel mounting
- ▶ Atex certification (II 3GD) on request



2
AIR TREATMENT

| Technical characteristics | Size |
|--|--|
| | Size 1 |
| Body and connections type | Technopolymer body, integrated metal connections |
| IN / OUT connections | G1/8" - G1/4" |
| Assembly configuration | Stand alone Panel mounting With fixing bracket |
| Assembly position | indifferent |
| Pressure range (bar) | 0 - 2 / 0 - 4 / 0 - 8 / 0 - 12 |
| Regulation | Manual push and lock with pressure Manual lockable with accessories |
| Pressure measurement | G1/8" Pressure gauge connection port |
| Max. fittings torque IN / OUT connections | G1/8" metal: 15 G1/4" metal: 20 |

| Operational characteristics | Size |
|--------------------------------|----------|
| | Size 1 |
| Maximum working pressure (bar) | 13 |
| Minimum working pressure (bar) | 0,5 |
| Working temperature (°C) | -5 ÷ +50 |

| Weights | Size |
|--------------------------------|--------|
| | Size 1 |
| Technopolymer body version (g) | 110 |

Order codes

17 109A . D . L . K

Size, body and connections

109A : Technopolymer body, connections G1/8"
109B : Technopolymer body, connections G1/4"

Pressure range

A : 0 - 2 bar
B : 0 - 4 bar
C : 0 - 8 bar
D : 0 - 12 bar

Type

L : Without relieving
SM : Improved relieving
SR : Quick exhaust (Unbalanced poppet)
SRM : Quick exhaust with improved relieving
SMF : Improved relieving with controlled relief

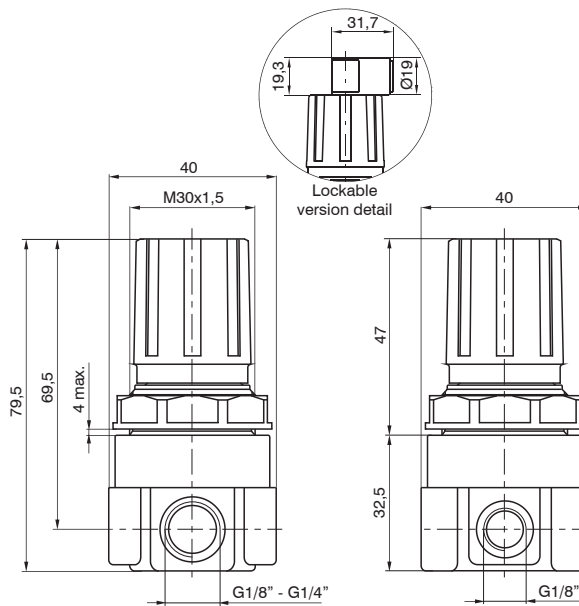
Options

: Standard
K : Lockable version
U : Lockable version with universal key

Example: 17109A.D.L.K

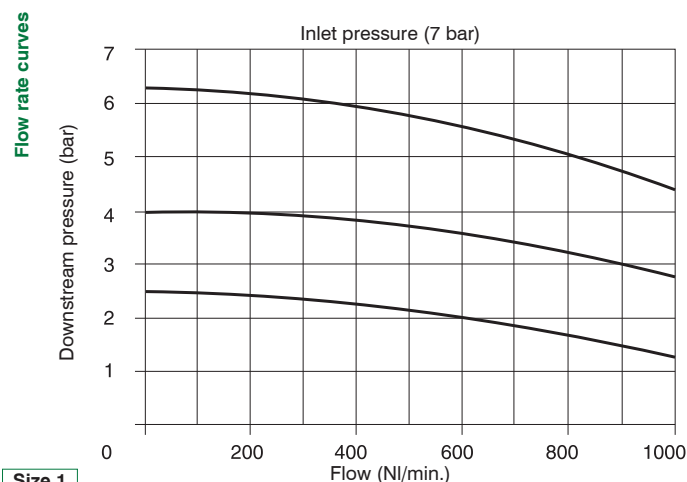
Size 1 Panel mounting pressure regulator, technopolymer body, G1/8" connections, 0 - 12 bar, without relieving, Lockable version

Dimensions

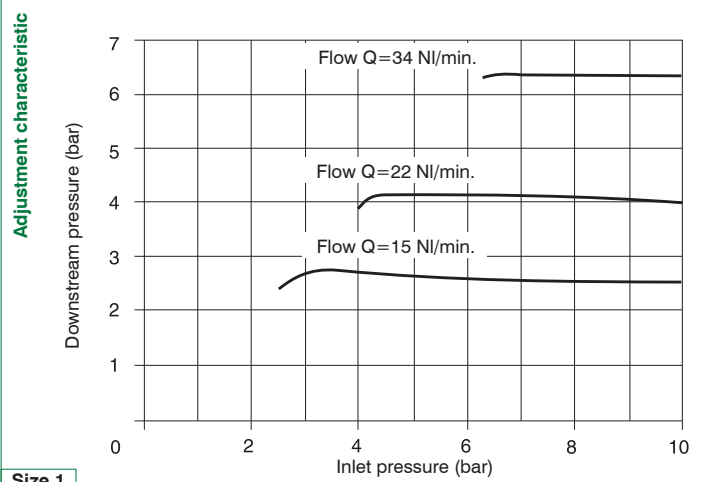


Size 1

Characteristic curves



Size 1



Size 1

AIR TREATMENT 2