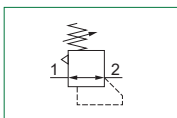


► Pressure regulators for manifold



- ▶ Diaphragm pressure regulator with relieving.
- ▶ Available with 2 front outputs connections G1/8"
- ▶ Available in four pressure ranges up to 12 bar
- ▶ Ring nut for panel mounting
- ▶ Available with integrated pressure gauge on the top of adjusting knob
- ▶ Air supply can be applied by both directions (Right or Left)
- ▶ Max. 6off pressure regulators in manifold configuration
- ▶ Atex certification (II 2GD) on request



Note

For installations where a more accurate and constant pressure is required, the unit should be installed as close as possible to the point of use.

Technical characteristics	Size
	Size 1
Body and connections type	Zinc alloy body, integrated zinc alloy connections
IN / OUT connections	G1/8" - G1/4"
Assembly configuration	Stand alone Panel mounting Panel mounted with M4 screws With fixing bracket
Assembly position	Indifferent
Pressure range (bar)	0 - 2 / 0 - 4 / 0 - 8 / 0 - 12
Regulation	Manual push and lock with pressure Manual lockable with accessories (only for version without pressure gauge)
Pressure measurement	Integrated pressure gauge on the top of adjusting knob (optional)
Max. fittings torque IN / OUT connections	G1/8" metal: 15 G1/4" metal: 20

Operational characteristics	Size
	Size 1
Maximum working pressure (bar)	13
Minimum working pressure (bar)	0,5
Working temperature (°C)	-5 ÷ +50

Weights	Size
	Size 1
Zinc alloy body version (g)	380

2
AIR TREATMENT

Order codes

17 **0B2A** . **D** . **K**

Size, body and connections

0B2A : Zinc alloy body, connections G1/8"
0B2B : Zinc alloy body, connections G1/4"
0M2A : Zinc alloy body, connections G1/8" with integrated pressure gauge
0M2B : Zinc alloy body, connections G1/4" with integrated pressure gauge

Pressure range

A : 0 - 2 bar
B : 0 - 4 bar
C : 0 - 8 bar
D : 0 - 12 bar

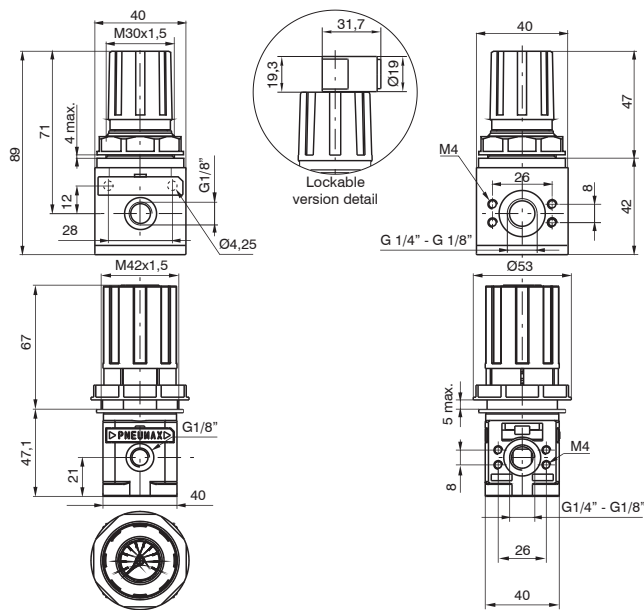
Options

: Standard
K : Lockable version (only for version without pressure gauge)
U : Lockable version with universal key (only for version without pressure gauge)

Example: 170B2A.D.K

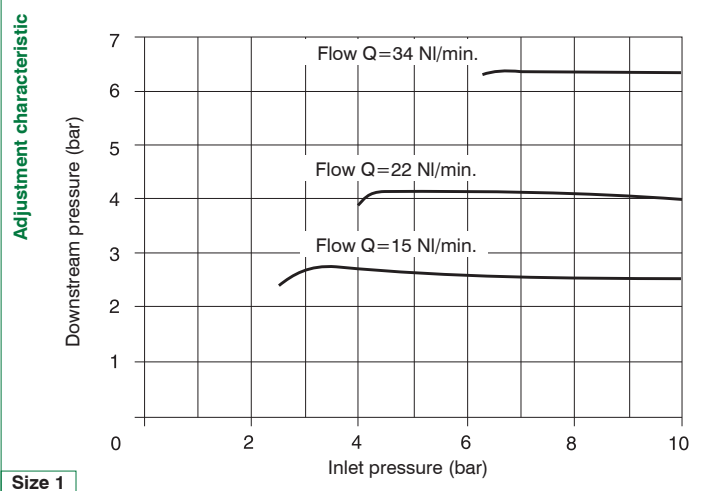
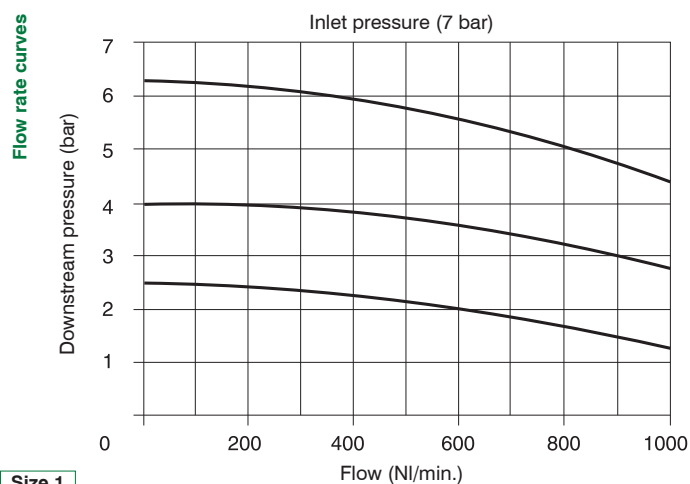
Size 1 pressure regulators for manifold, Zinc alloy body, G1/8" connections, 0 - 12 bar, without pressure gauge, Lockable version

Dimensions



Size 1

Characteristic curves



▶ Manifold pressure regulators



- ▶ Manifold pressure regulators
- ▶ Available in four pressure ranges up to 12 bar
- ▶ Inlet pressure common for the whole manifold of pressure regulator
- ▶ A maximum of 6 pressure regulators can be mounted
- ▶ Atex certification (II 2GD) on request

Technical characteristics	Size
	Size 1
Body and connections type	Zinc alloy body, integrated zin alloy connections
IN / OUT connections	G1/8" - G1/4"
Assembly configuration	Stand alone Panel mounting Panel mounted with M4 screws With fixing bracket
Assembly position	indifferent
Pressure range (bar)	0 - 2 / 0 - 4 / 0 - 8 / 0 - 12
Regulation	Manual push and lock with pressure Manual lockable with accessories (only for version without pressure gauge)
Pressure measurement	G1/8" Pressure gauge connection port
Max. fittings torque IN / OUT connections	G1/8" metal: 15 G1/4" metal: 20

Operational characteristics	Size
	Size 1
Maximum working pressure (bar)	13
Minimum working pressure (bar)	0,5
Working temperature (°C)	-5 ÷ +50

2 AIR TREATMENT



Order codes

17 **BB2A** . **6** . **C** . **C** . **C** . **C** . **C** . **C** . **C** . **K**

Size, body and connections

BB2A : Zinc alloy body, connections G1/8"
BB2B : Zinc alloy body, connections G1/4"
BM2A : Zinc alloy body, connections G1/8" with integrated pressure gauge
BM2B : Zinc alloy body, connections G1/4" with integrated pressure gauge

Number of regulators

2 : n. 2 Regulators
3 : n. 3 Regulators
4 : n. 4 Regulators
5 : n. 5 Regulators
6 : n. 6 Regulators

Pressure range

A : 0 - 2 bar
B : 0 - 4 bar
C : 0 - 8 bar
D : 0 - 12 bar

Pressure range

A : 0 - 2 bar
B : 0 - 4 bar
C : 0 - 8 bar
D : 0 - 12 bar

Pressure range

A : 0 - 2 bar
B : 0 - 4 bar
C : 0 - 8 bar
D : 0 - 12 bar

Pressure range

A : 0 - 2 bar
B : 0 - 4 bar
C : 0 - 8 bar
D : 0 - 12 bar

Pressure range

A : 0 - 2 bar
B : 0 - 4 bar
C : 0 - 8 bar
D : 0 - 12 bar

Pressure range

A : 0 - 2 bar
B : 0 - 4 bar
C : 0 - 8 bar
D : 0 - 12 bar

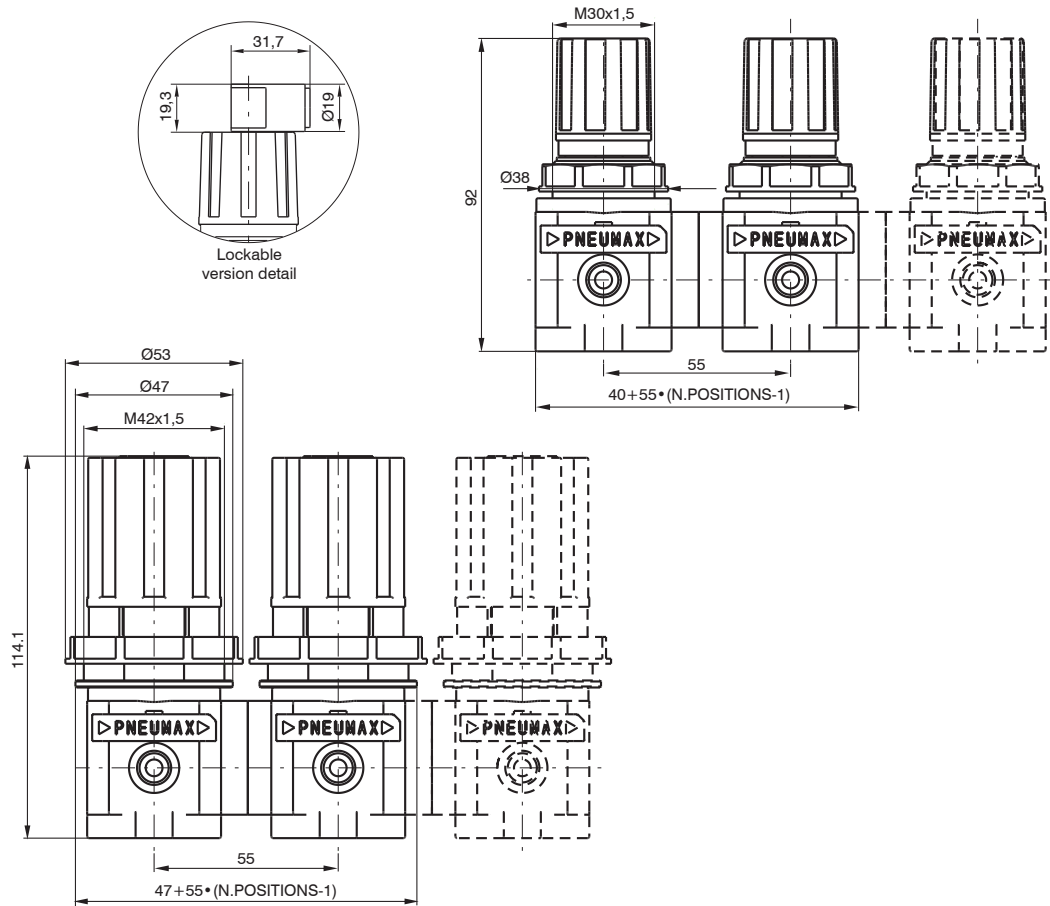
Options

: Standard
K : Lockable version (only for version without pressure gauge)
U : Lockable version with universal key (only for version without pressure gauge)

Example : 17BB2A.6.C.C.C.C.C.C.K : Size 1 manifold pressure regulators G1/8", 0 - 8 bar, without pressure gauge, Lockable version

2
AIR TREATMENT

Dimensions



Size 1

Characteristic curves

