



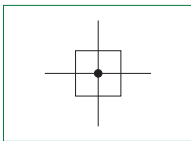
**Air Intake**



- ▶ Pneumatic by-pass
- ▶ Available with 2 threaded connections

2

AIR TREATMENT



Technical characteristics	Size			
	Size 1	Size 2	Size 3	Size 4
Body and connections type	Aluminium body, integrated aluminium connections			
IN / OUT Connections	G1/4"	G3/8"	G1/2"	G1"
INTAKE connections	G1/8"	G1/4"	G3/8"	G3/4"
Assembly configuration	Stand alone	Stand alone	Stand alone	Stand alone
Assembly position	Indifferent			
Max. fittings torque IN / OUT connections	G1/4" metal: 20	G3/8" metal: 25	G1/2" metal: 30	G1" metal: 35

Operational characteristics	Size			
	Size 1	Size 2	Size 3	Size 4
Maximum working pressure (bar)	13			
Working temperature (°C)	-5 ÷ +50			

Weights	Size			
	Size 1	Size 2	Size 3	Size 4
Aluminium body version (g)	78	159	271	761

Order codes

17 **3** 40

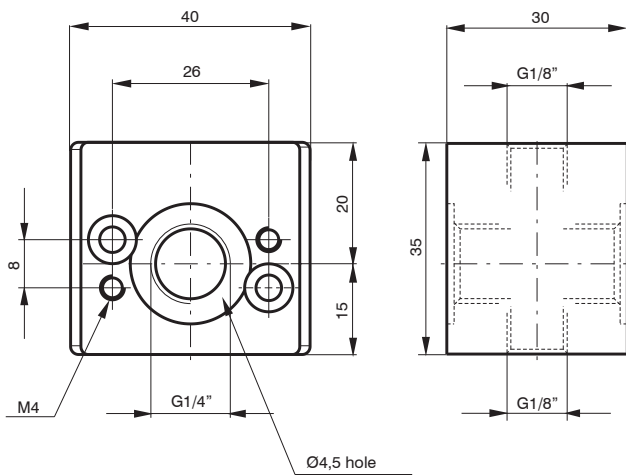
**Size, body and connections**

- 1 : Aluminium body, connections G1/4" (only for size 1)
- 2 : Aluminium body, connections G3/8" (only for size 2)
- 3 : Aluminium body, connections G1/2" (only for size 3)
- 4 : Aluminium body, connections G1" (only for size 4)

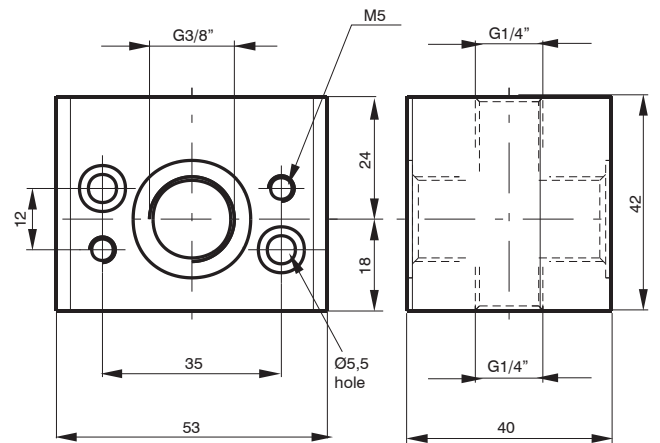
**Example: 17340**

Air Intake Size 3, Aluminium body, G1/2" connections

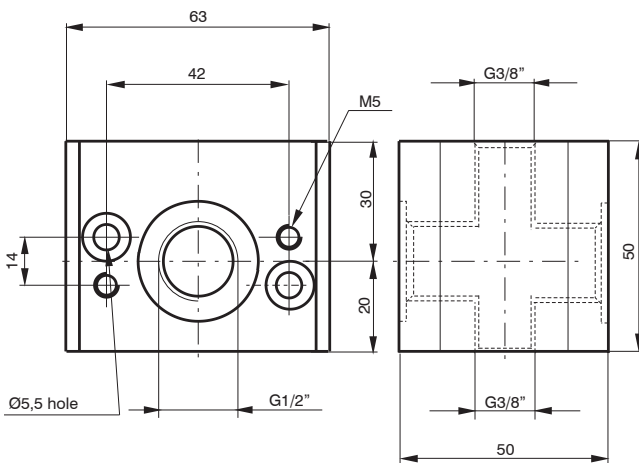
**Dimensions**



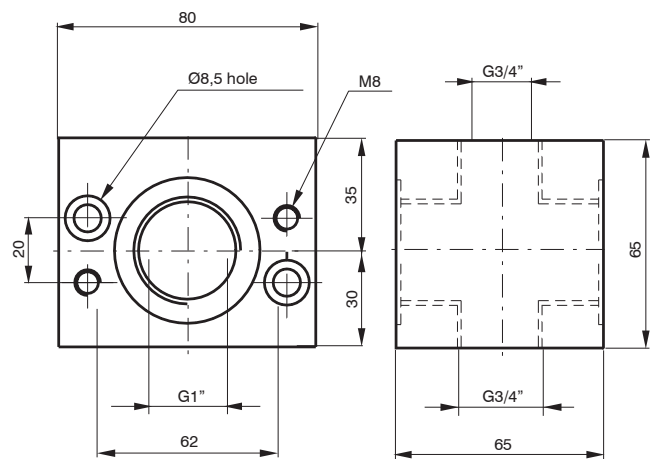
Size 1



Size 2



Size 3



Size 4

2

AIR TREATMENT



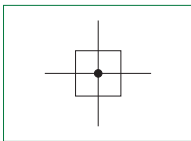
▶ **Air Intake -“H” profile**



- ▶ Pneumatic by-pass
- ▶ Available with 2 threaded connections

2

AIR TREATMENT



Technical characteristics	Size		
	Size 1	Size 2	Size 3
Body and connections type	Aluminium body		
IN / OUT Connections	G1/4"	G3/8"	G1/2"
INTAKE connections	G1/8"	G1/4"	G3/8"
Assembly configuration	Stand alone	Stand alone	Stand alone
Assembly position	Indifferent		
Max. fittings torque IN / OUT connections	G1/4" metal: 20	G3/8" metal: 25	G1/2" metal: 30

Operational characteristics	Size		
	Size 1	Size 2	Size 3
Maximum working pressure (bar)	13		
Working temperature (°C)	-5 ÷ +50		

Weights	Size		
	Size 1	Size 2	Size 3
Aluminium body version (g)	50	116	192

Order codes

17 **3** 40H

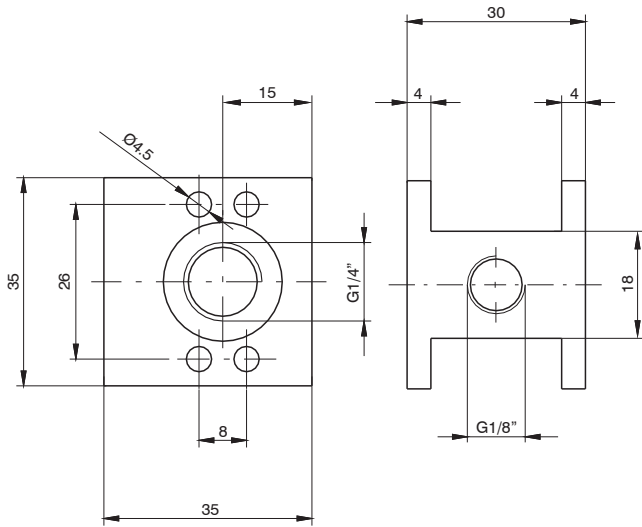
Size, body and connections

- 1 : Aluminium body, connections G1/4" (only for size 1)
- 2 : Aluminium body, connections G3/8" (only for size 2)
- 3 : Aluminium body, connections G1/2" (only for size 3)

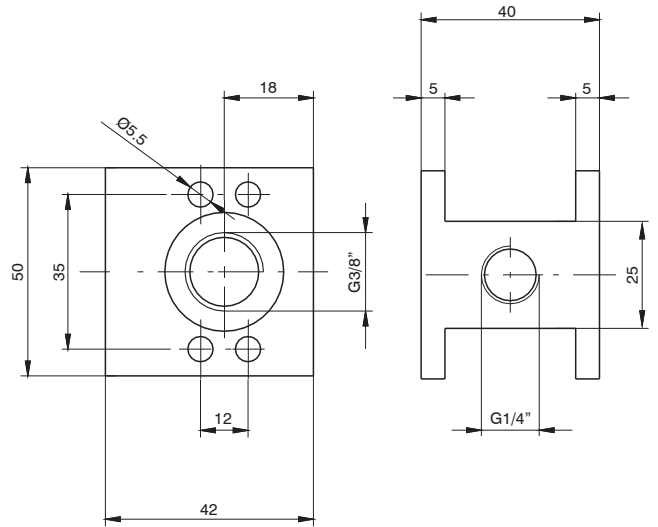
Example: 17340H

Air Intake -"H" profile Size 3, Aluminium body, G1/2" connections

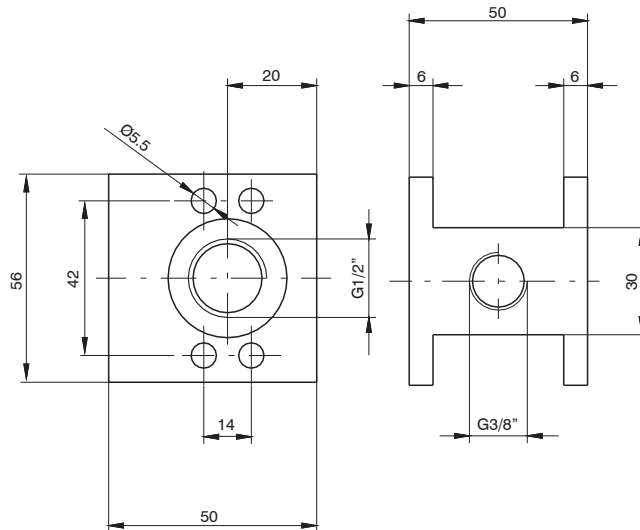
Dimensions



Size 1



Size 2



Size 3

2

AIR TREATMENT