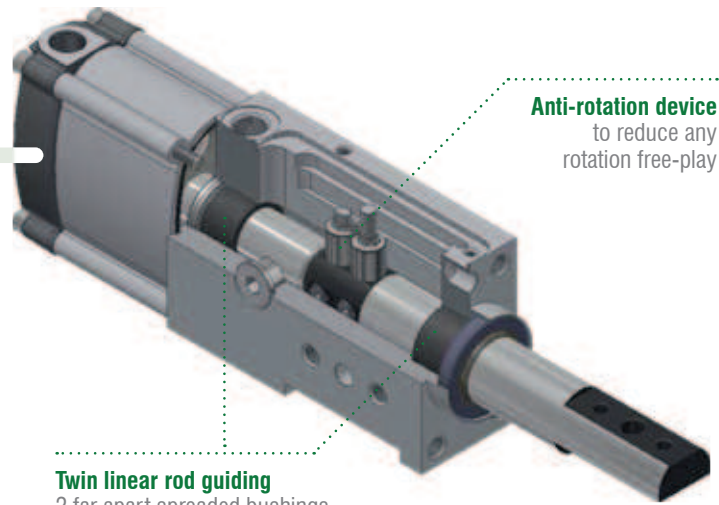


Locating

High locating accuracy.
High protection against welding debris and corrosion.



Anti-rotation device
to reduce any rotation free-play

Twin linear rod guiding
2 far apart spreaded bushings limit any deflection and improve the pin package accuracy over a long period of time.

LOCATING



Extra-light products



RP50 RP63 RM50 HP50 RD50 RT40 RTD40 RCD250 RC50 RC63 FP40 FP63 FT50 FTD50 RP32 RA32
CNOMO

High positioning accuracy level

Precise guiding through 2 far-apart spreaded bushings for an optimal support of the rods > twin piston rod guide

- Low deflection
- Efficient anti rotation mechanism

Long life built-in components in rust prevention

- No weld covers or bellows required
- Steel and brass rod scraper to prevent welding debris from entering the pin package
- Chrome rod coating as a protection against adhering weld sparks

High resistance to welding debris and corrosion

Anti-rotation system to reduce any rotation free-play

Locating products

LOCATING

Dual rods

- Extra-light products
- Short body length
- Clear design with user-friendly surfaces and no dirt or welding deposit traps



Nano pin packages



2-sided mounting option

Supply ports on 3 sides



Front
mount

Rear
mount



G ports
on 3 sides

High performance pin package

The heat generated from any welding process can cause a localized deformation in the workpiece when the metal cools, some parts could contract more than others, leaving residual stress.

To improve the process reliability, a higher level of pull force to disengage the pin can be required to overcome the tensions in the workpiece.

Pull force:
1960N



Cnomo

Pin packages according to Cnomo standard also available with manual operation.

CNOMO



RC-Series

Retractable locating pin packages with CNOMO mounting pattern

CNOMO



Technical features

Pneumatic ports on both sides of the cylinder.

Operating features

Operating pressure	from 2 to 8 bar / from 30 to 115 psi
Lubrication	all the devices are lubricated for life at the factory. Inline air lubrication isn't required

Functional charts

Ø 50 mm

• Max deflection

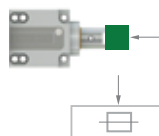
Stroke	Load (kg)	Load position A deviation (mm)	Load position B deviation (mm)	Load position C deviation (mm)	Load position D deviation (mm)
50 mm	0.5	0.006	0.009	0.007	0.03
	1	0.013	0.02	0.018	0.07
	1.5	0.021	0.032	0.028	0.1
	2	0.026	0.047	0.043	0.12
	2.5	0.032	0.66	0.057	-
	3	0.037	0.075	0.068	-
25 mm	0.5	0	0.005	0	0.01
	1	0.005	0.015	0.005	0.03
	1.5	0.007	0.032	0.007	0.06
	2	0.011	0.047	0.011	0.08
	2.5	0.012	0.66	0.012	-
	3	0.014	0.075	0.014	-

• Functional data (at 5 bar / 72.5 psi)

Thrust force	825 N
Pull force	980 N
Max bending moment	3 N m / 2.21 lb-ft
Max distance from the load centre to the rod	200 mm
Interchangeability of the mounting	± 0,05 mm
Interchangeability of the mounting to the rod termination	± 0,15 mm
Rod output repeatability	± 0,04 mm
Protection degree:	IP 56 for pin packages IP67 for sensor
Operating temperature	-0 °C + 50 °C
Storage temperature	-25 °C + 60 °C

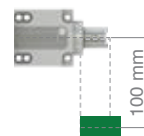
Load position **A**

Horizontal mounting position of the retractable locating pin/load centre on the rod



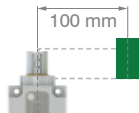
Load position **B**

Horizontal mounting position of the retractable locating pin/load centre at 100 mm from the rod axis



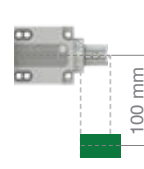
Load position **C**

Vertical mounting position of the retractable locating pin/load centre at 100 mm from the rod axis



Load position **D**

100 mm in z



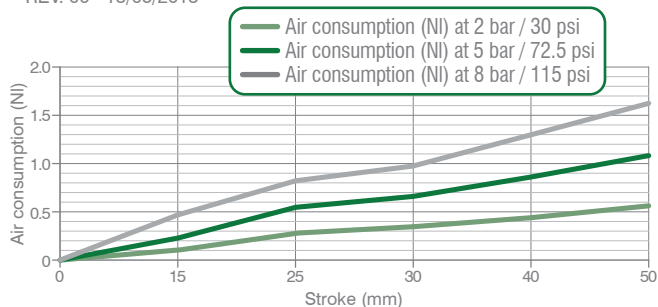
• Cycle time for max stroke

< 0.8 s NO flow valve required

• Air consumption

Air consumption for complete cycle

REV. 00 - 18/06/2015



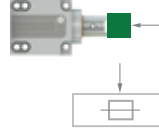
Size 63 mm

• Max deflection

Stroke	Load (kg)	Load position A deviation (mm)	Load position B deviation (mm)	Load position C deviation (mm)	Load position D deviation (mm)
50 mm	0.5	0.006	0.009	0.007	0.03
	1	0.013	0.02	0.018	0.07
	1.5	0.021	0.032	0.028	0.1
	2	0.026	0.047	0.043	0.12
	2.5	0.032	0.66	0.057	-
	3	0.037	0.075	0.068	-
25 mm	0.5	0	0.005	0	0.01
	1	0.005	0.015	0.005	0.03
	1.5	0.007	0.032	0.007	0.06
	2	0.011	0.047	0.011	0.08
	2.5	0.012	0.66	0.012	-
	3	0.014	0.075	0.014	-

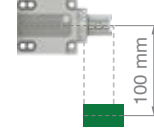
Load position **A**

Horizontal mounting position of the retractable locating pin/load centre on the rod



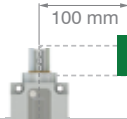
Load position **B**

Horizontal mounting position of the retractable locating pin/load centre at 100 mm from the rod axis



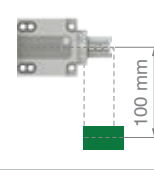
Load position **C**

Vertical mounting position of the retractable locating pin/load centre at 100 mm from the rod axis



Load position **D**

100 mm in z



• Functional data (at 5 bar / 72.5 psi)

Thrust force	825 N
Pull force	980 N
Max bending moment	3 N m / 2.21 lb-ft
Max distance from the load centre to the rod	200 mm
Interchangeability of the mounting	± 0,05 mm
Interchangeability of the mounting to the rod termination	± 0,15 mm
Rod output repeatability	± 0,04 mm
Protection degree:	IP 56 for pin packages IP67 for sensor
Operating temperature	-0 °C + 50 °C
Storage temperature	-25 °C + 60 °C

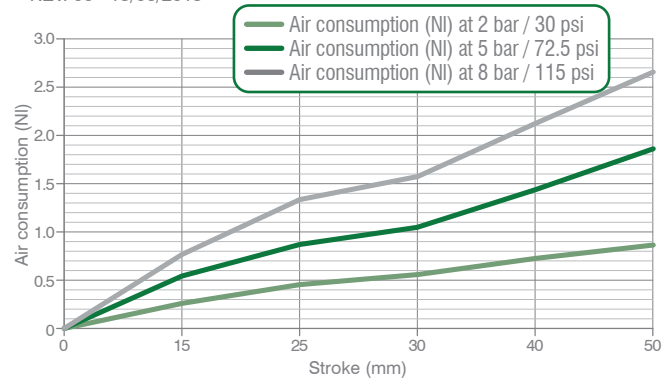
• Cycle time for max stroke

< 0.8 s **NO flow valve required**

• Air consumption

Air consumption for complete cycle

REV. 00 - 18/06/2015



Please get in touch with our technical representatives for any application which exceeds the above values, to find the appropriate solution for your application.

Ordering string

RC-Series

RC **50** **C** **25** **1** **G**

RC

VERSION

RC = retractable locating pin package with CNOMO mounting pattern
RCD = retractable locating pin package with CNOMO mounting pattern and manual operation

50

SIZE

50 = Ø 50 mm
63 = Ø 63 mm

C

SENSOR

C = CNOMO sensor
N = no sensor

CNOMO

25

STROKE

25 = 25 mm
50 = 50 mm

1

ROD TERMINATION

1 = iØ 12 mm rod termination
2 = iØ 20 mm rod termination

G

PORTS

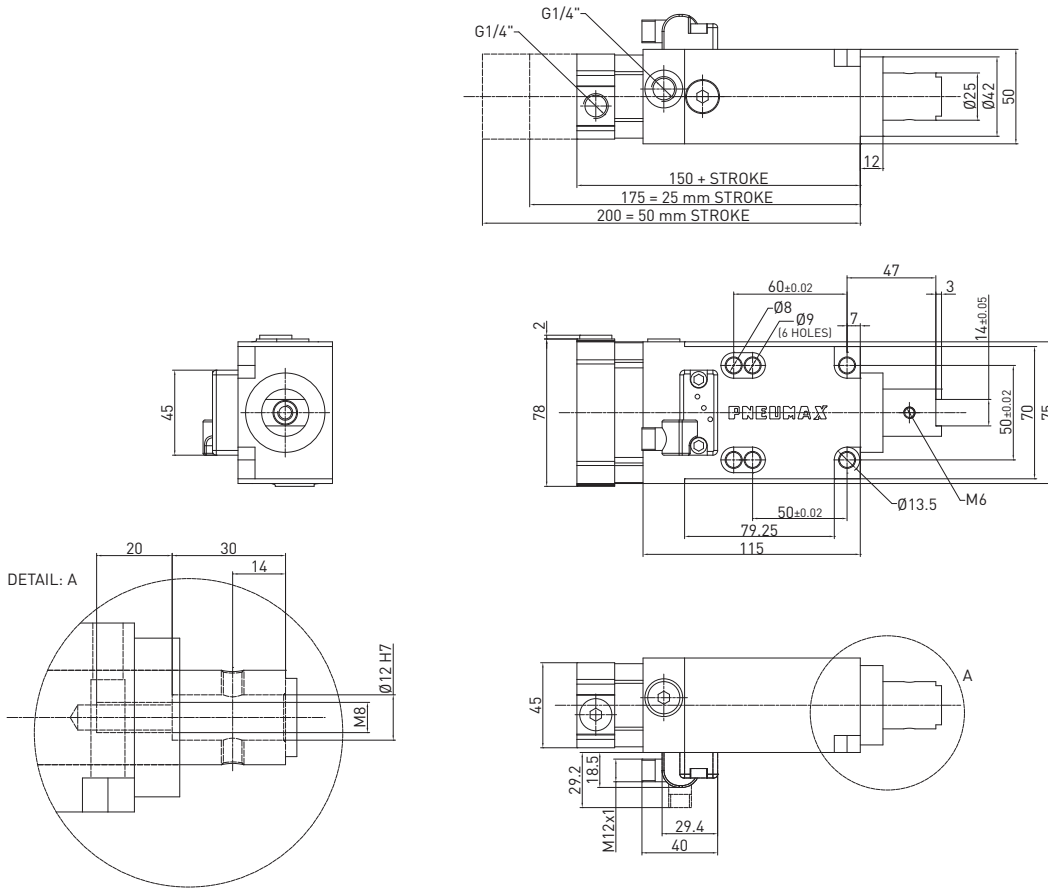
G = G thread – BSPP

RC50__1 / Retractable locating pin package with CNOMO mounting pattern - Size 50 mm - iØ 12 mm rod termination

WEIGHT 1.8 kg
min. stroke version

WEIGHT 1.9 kg
max. stroke version

LOCATING

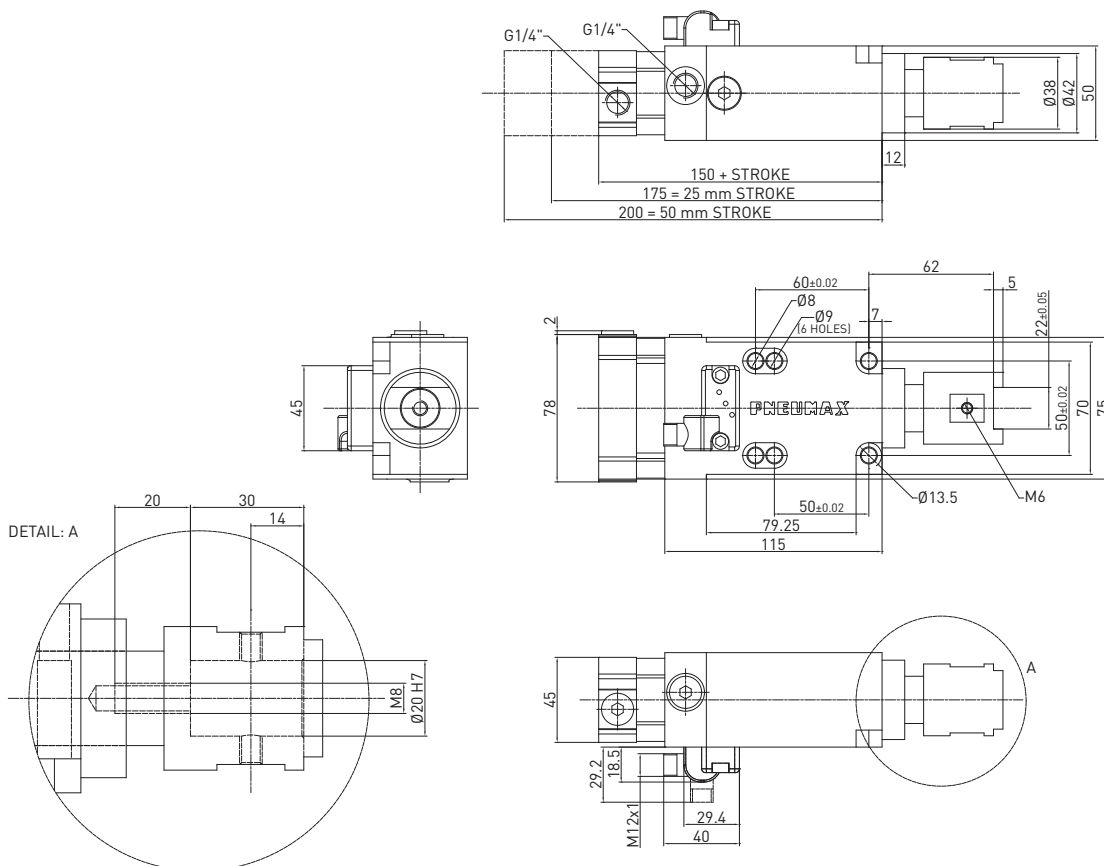


REV. 01 - 31/03/2015

RC50__2 / Retractable locating pin package with CNOMO mounting pattern - Size 50 mm - iØ 20 mm rod termination

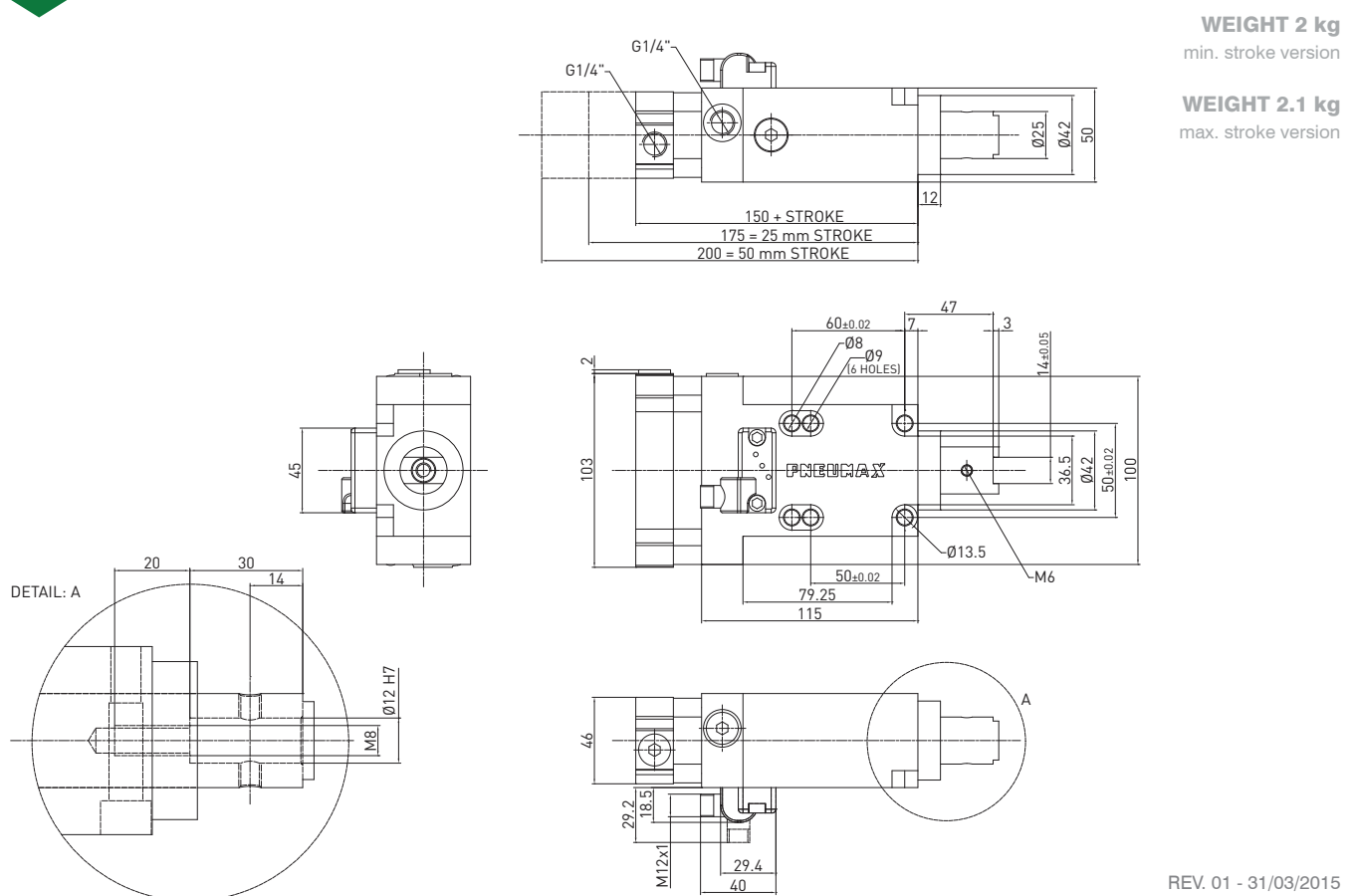
WEIGHT 2 kg
min. stroke version

WEIGHT 2.1 kg
max. stroke version

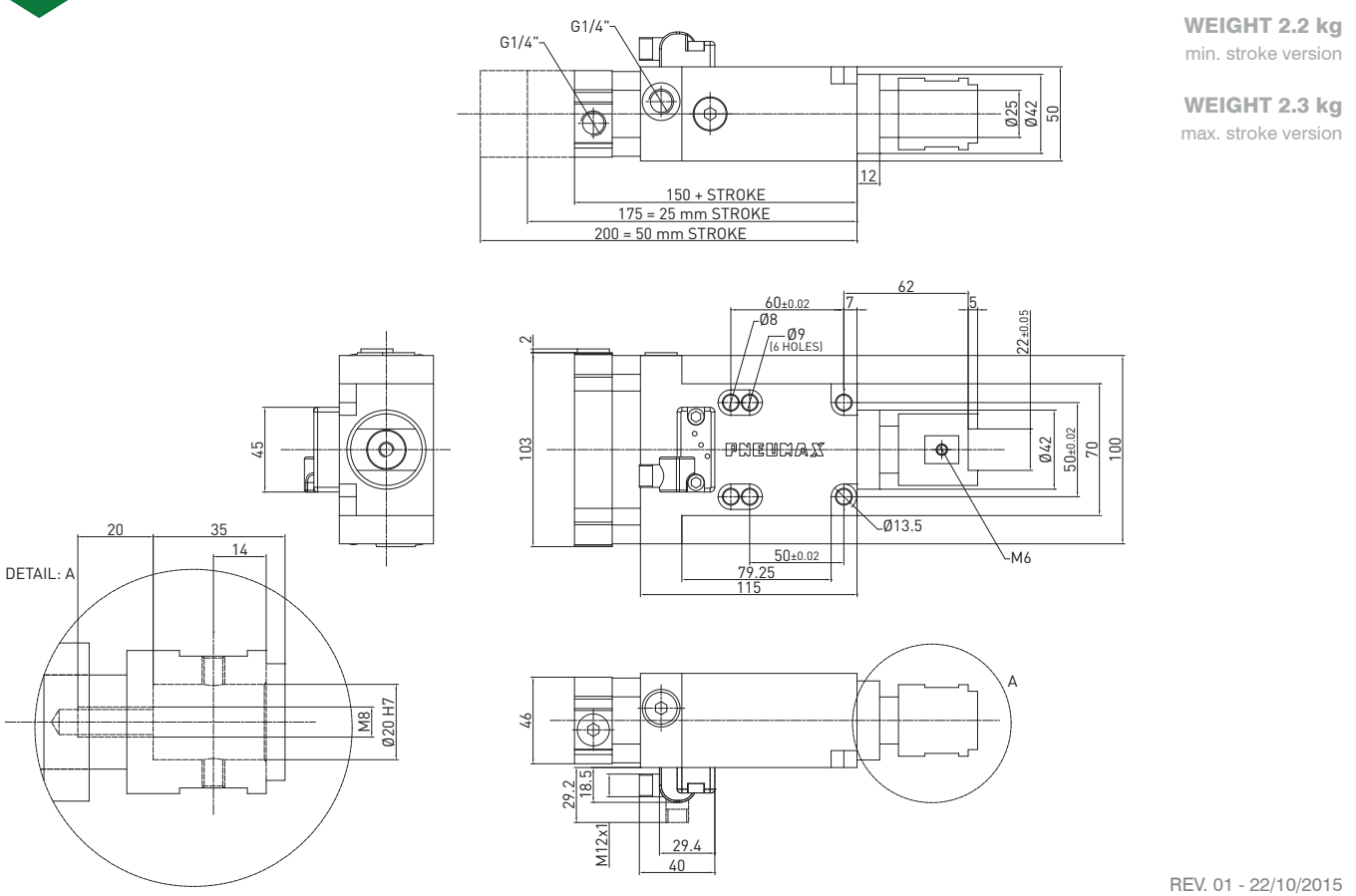


REV. 01 - 22/10/2015

RC63__1 / Retractable locating pin package with CNOMO mounting pattern - Size 63 mm - iØ 12 mm rod termination



RC63__2 / Retractable locating pin package with CNOMO mounting pattern - Size 63 mm - iØ 20 mm rod termination



RCD50__1 / Retractable locating pin package with CNOMO mounting pattern and manual operation
Size 50 mm - iØ 12 mm rod termination

WEIGHT 1.8 kg
min. stroke version

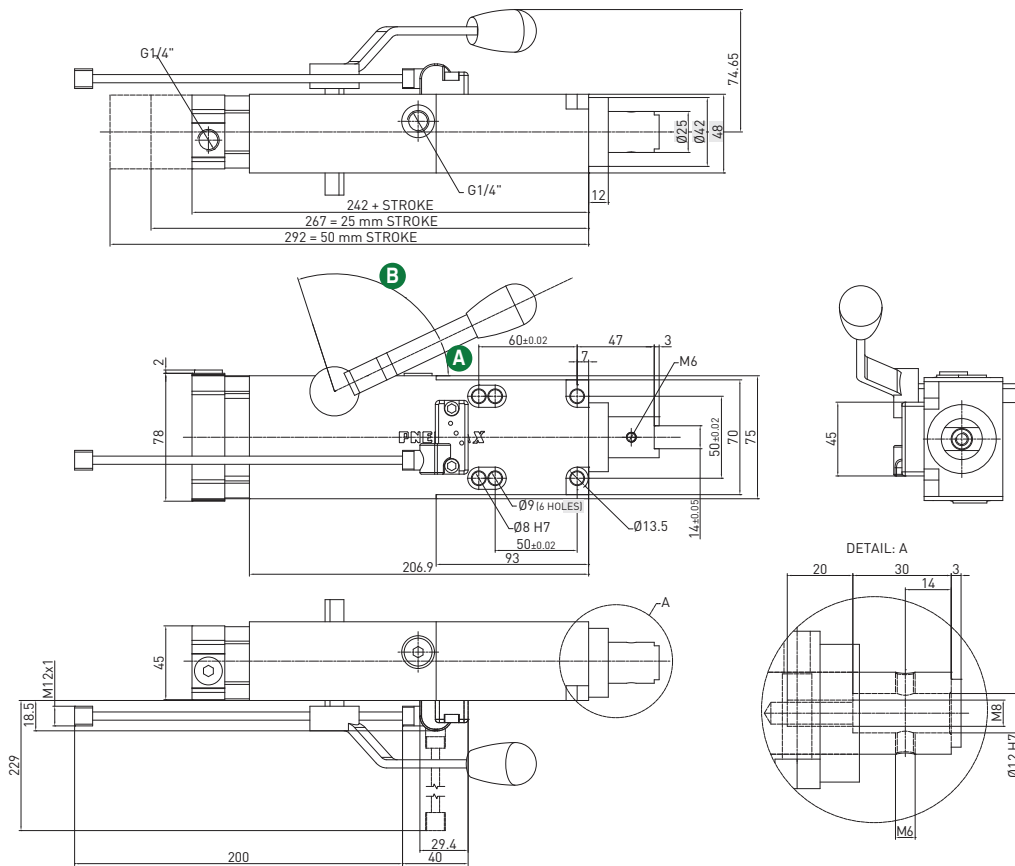
WEIGHT 1.9 kg
max. stroke version

Handle swivel angle

Stroke	A Handle swivel angle	B Handle swivel angle
25	70°	38°
50	25°	83°

Max Hand Force: 200 N

LOCATING



REV. 00 - 31/07/2018

RCD50__2 / Retractable locating pin package with CNOMO mounting pattern and manual operation
Size 50 mm - iØ 20 mm rod termination

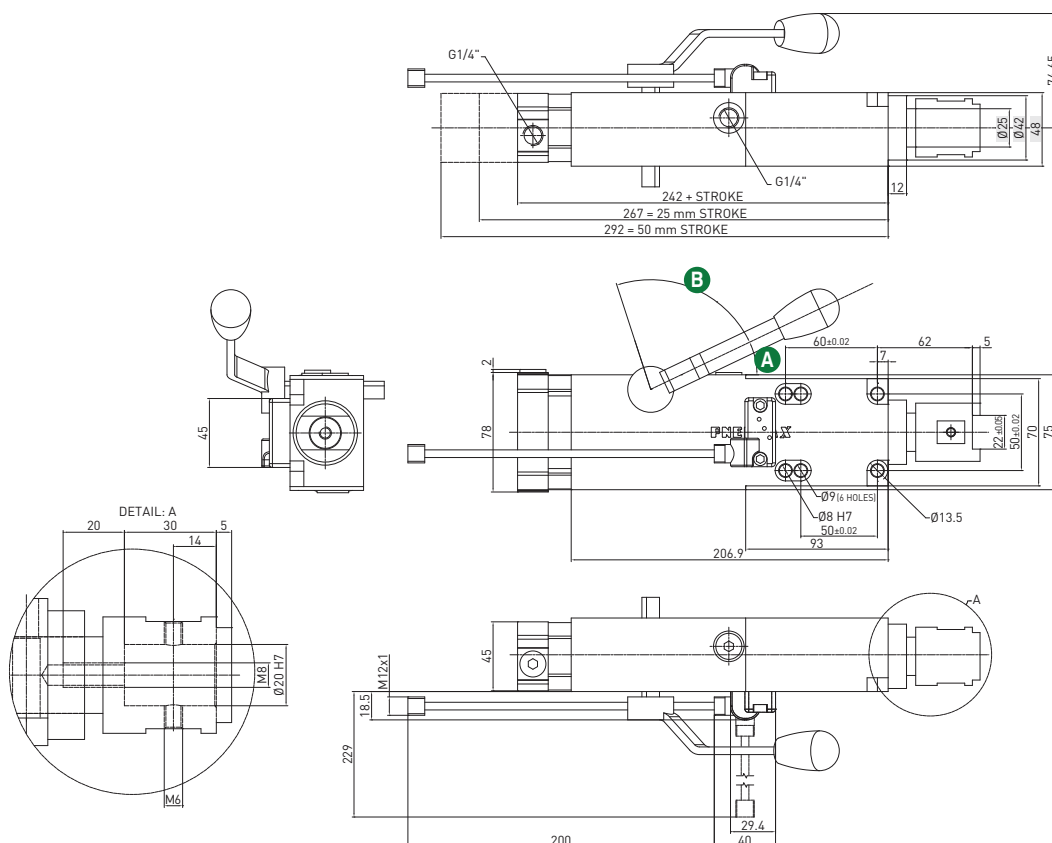
WEIGHT 2 kg
min. stroke version

WEIGHT 2.1 kg
max. stroke version

Handle swivel angle

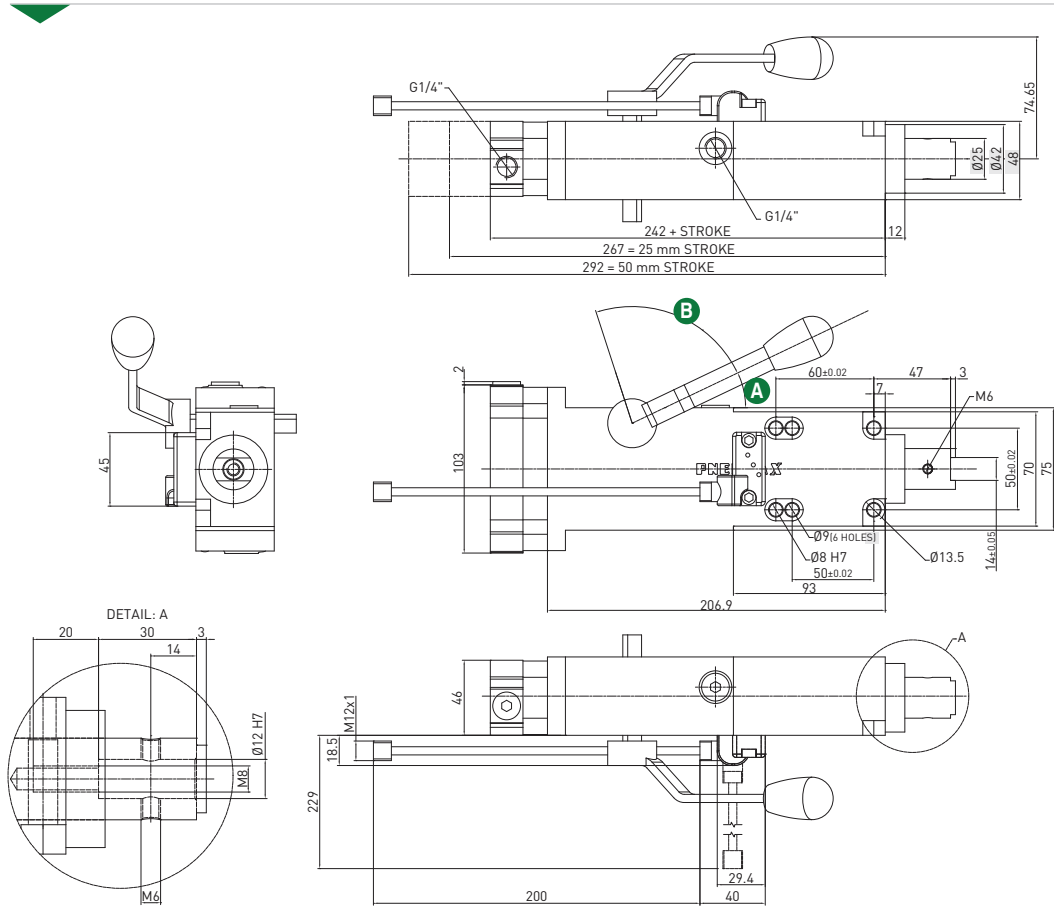
Stroke	A Handle swivel angle	B Handle swivel angle
25	70°	38°
50	25°	83°

Max Hand Force: 200 N



REV. 00 - 31/07/2018

RCD63__1 / Retractable locating pin package with CNOMO mounting pattern and manual operation
Size 63 mm - iØ 12 mm rod termination



WEIGHT 2 kg
min. stroke version

WEIGHT 2.1 kg
max. stroke version

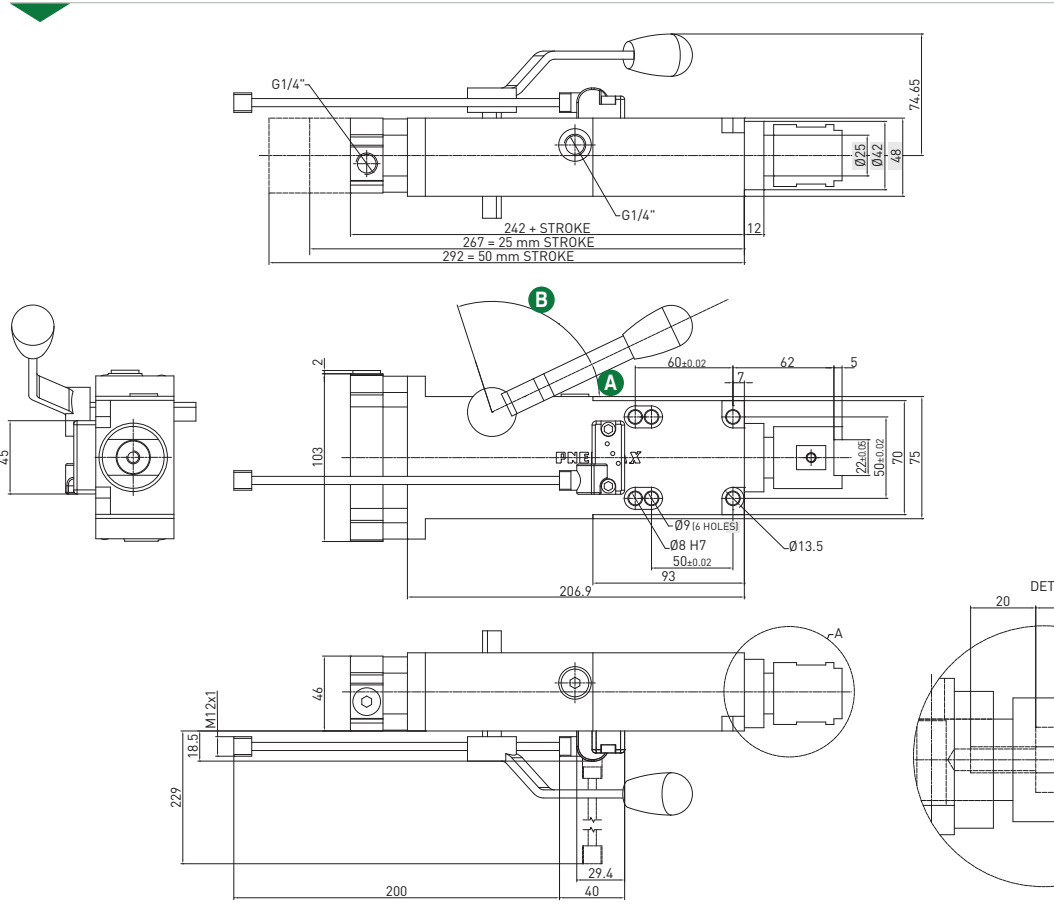
Handle swivel angle

Stroke	A Handle swivel angle	B Handle swivel angle
25	70°	38°
50	25°	83°

Max Hand Force: 200 N

REV. 00 - 31/07/2018

RCD63__2 / Retractable locating pin package with CNOMO mounting pattern and manual operation
Size 63 mm - iØ 20 mm rod termination



WEIGHT 2.2 kg
min. stroke version

WEIGHT 2.3 kg
max. stroke version

Handle swivel angle

Stroke	A Handle swivel angle	B Handle swivel angle
25	70°	38°
50	25°	83°

Max Hand Force: 200 N

REV. 00 - 31/07/2018

LOCATING