

**Filter + Pressure regulator + Lubricator**


- ▶ Double filter action: air flow centrifugation and filter element
- ▶ Filtering cartridge made of HDPE available in three different filtration grades (5µm, 20µm, 50µm)
- ▶ Filter cartridge can be regenerated by washing / blowing it or replaced
- ▶ Semi-automatic or automatic drain
- ▶ Diaphragm pressure regulator with relieving
- ▶ Low hysteresis rolling diaphragm and balanced spool
- ▶ Available in four pressure ranges up to 12 bar
- ▶ Oil mist lubricator
- ▶ Variable orifice size in function of the flow rate
- ▶ Oil quantity regulation mechanism and oil quantity visualization dome made of polycarbonate (PC)
- ▶ Oil refill plug
- ▶ Available with low level electrical sensor NO and NC
- ▶ Bowls screwed to the body (Size 1)
- ▶ Bowl assembly via bayonet type quick coupling mechanism with safety button (Size 2 - Size 3 - Size 4)
- ▶ Atex certification (II 2GD o II 3GD) on request

**2**
**AIR TREATMENT**

Technical characteristics	Size			
	Size 1	Size 2	Size 3	Size 4
<b>Body and connections type</b>	Zinc alloy body, Zinc alloy integrated connections Technopolymer body, metal connections	Aluminium body, integrated aluminium connections		
<b>Protection and bowl type</b>	Technopolymer protection - PA bowl (Size 1 available without protection)			Metal bowl with blind metal bowl
<b>IN / OUT connections</b>	G1/8" - G1/4"	G1/4" - G3/8"	G3/8" - G1/2", G3/4"	G1"
<b>Assembly configuration</b>	Stand alone Panel mounted with M4 screws	Stand alone Panel mounted with M5 screws	Stand alone Panel mounted with M6 screws	Stand alone Panel mounted with M6 screws
<b>Assembly position</b>	Vertical ±5°			
<b>Filter pore size (µm)</b>	5 / 20 / 50			
<b>Pressure range (bar)</b>	0 - 2 / 0 - 4 / 0 - 8 / 0 - 12			
<b>Bowl capacity (cm³)</b>	20	30	48	178
<b>Condensation drain</b>	Semi-automatic Automatic			
<b>Regulation</b>	Manual push and lock with pressure Manual lockable with accessories			
<b>Pressure measurement</b>	G1/8" Pressure gauge connection port			
<b>Bowl capacity (cm³)</b>	36	52	62	300
<b>Lubrication type</b>	Oil mist			
<b>Min. operational flow at 6,3 bar (NI/min)</b>	10	20		100
<b>Oil level regulation</b>	Manual, complete with visual indicator			
<b>Max. fittings torque IN / OUT connections</b>	G1/8" metal: 15 G1/4" metal: 20	G1/4" metal: 20 G3/8" metal: 25	G3/8" metal: 25 G1/2" metal: 30 G3/4" metal: 35	G1" metal: 35

Operational characteristics	Size							
	Size 1	Size 2	Size 3	Size 4	Size 1	Size 2	Size 3	Size 4
	Semi-automatic condensation drain				Automatic condensation drain			
<b>Maximum working pressure (bar)</b>	13				10			
<b>Minimum working pressure (bar)</b>	0,5							
<b>Indicative oil drop rate (NI/min)</b>	1 drope every 300/600							
<b>Oil type</b>	FD22 - HG32							
<b>Working temperature (°C)</b>	-5 ÷ +50							



Weights	Size			
	Size 1	Size 2	Size 3	Size 4
Zinc alloy body version (g)	755	/	/	/
Technopolymer body version (g)	375	/	/	/
Aluminium body version (g)	/	960	1430	5300

**Order codes**

17 307A . B . D . S . K

Size, body and connections
007A : Zinc alloy body, connections G1/8" (only for size 1)
007B : Zinc alloy body, connections G1/4" (only for size 1)
107A : Technopolymer body, connections G1/8" (only for size 1)
107B : Technopolymer body, connections G1/4" (only for size 1)
207A : Aluminium body, connections G1/4" (only for size 2)
207B : Aluminium body, connections G3/8" (only for size 2)
307A : Aluminium body, connections G3/8" (only for size 3)
307B : Aluminium body, connections G1/2" (only for size 3)
307E : Aluminium body, connections G3/4" (only for size 3)
407NB : Aluminium body, connections G1" (only for size 4)

Filter pore size
A : 5 µm
B : 20 µm
C : 50 µm

Pressure range
A : 0 - 2 bar
B : 0 - 4 bar
C : 0 - 8 bar
D : 0 - 12 bar

Type
P : Bowl protection (only for size 1)
S : Automatic drain (for all sizes)
PS : Bowl protection and automatic drain (only for size 1)

Options
: Standard
K : Lockable version
U : Lockable version with universal key

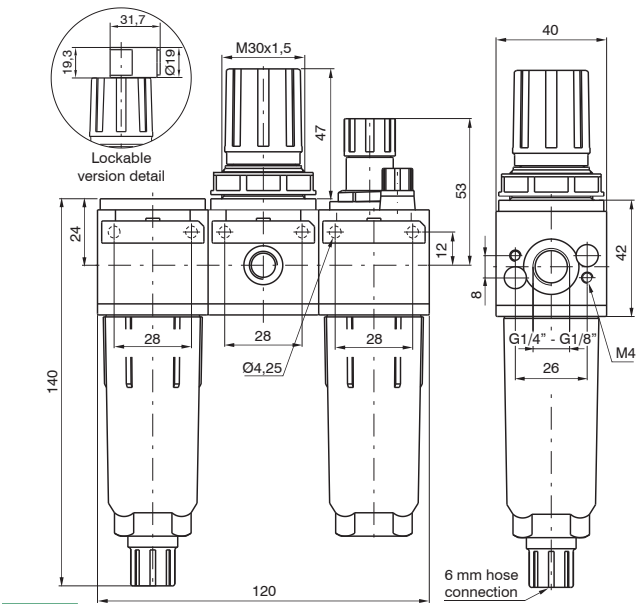
**Example: 17307A.B.D.S.K**

Size 3 Filter + Pressure regulator + Lubricator, aluminium body, G3/8" connections, filter pore size 20 µm 0 - 12 bar, automatic drain lockable version

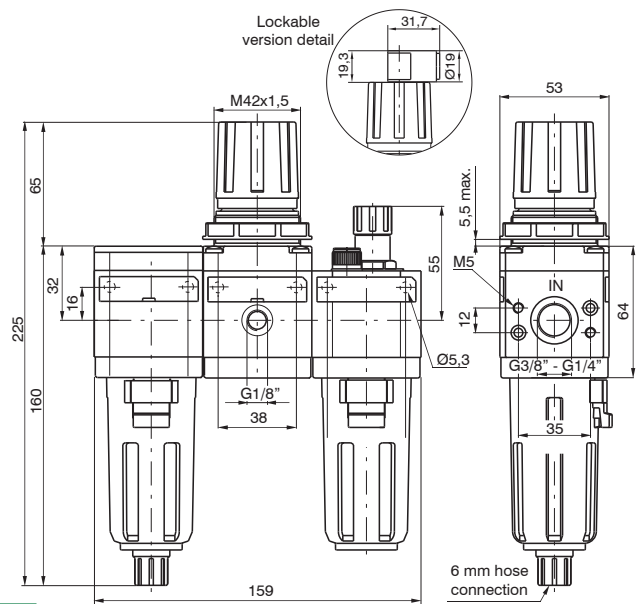
**Dimensions**

AIR TREATMENT

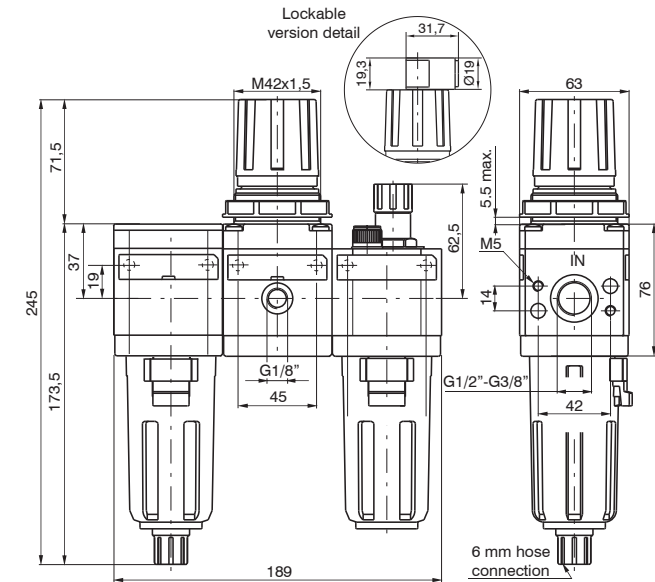
2



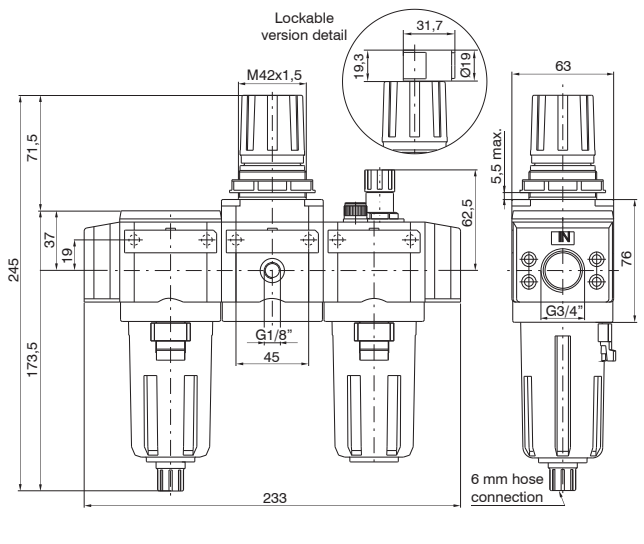
**Size 1**



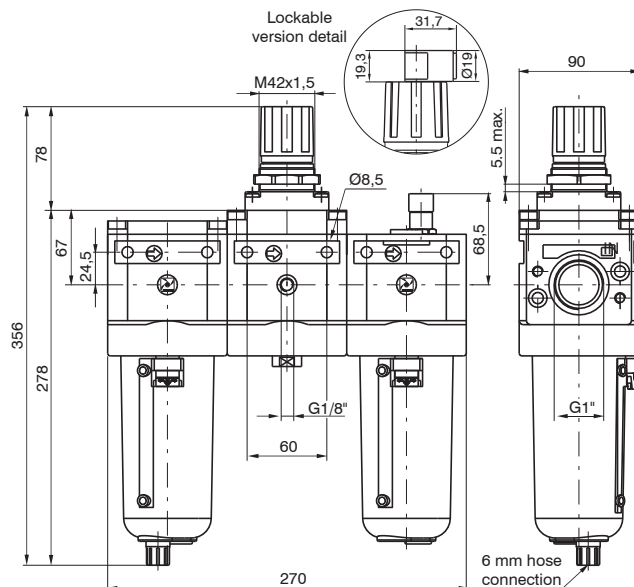
**Size 2**



**Size 3**



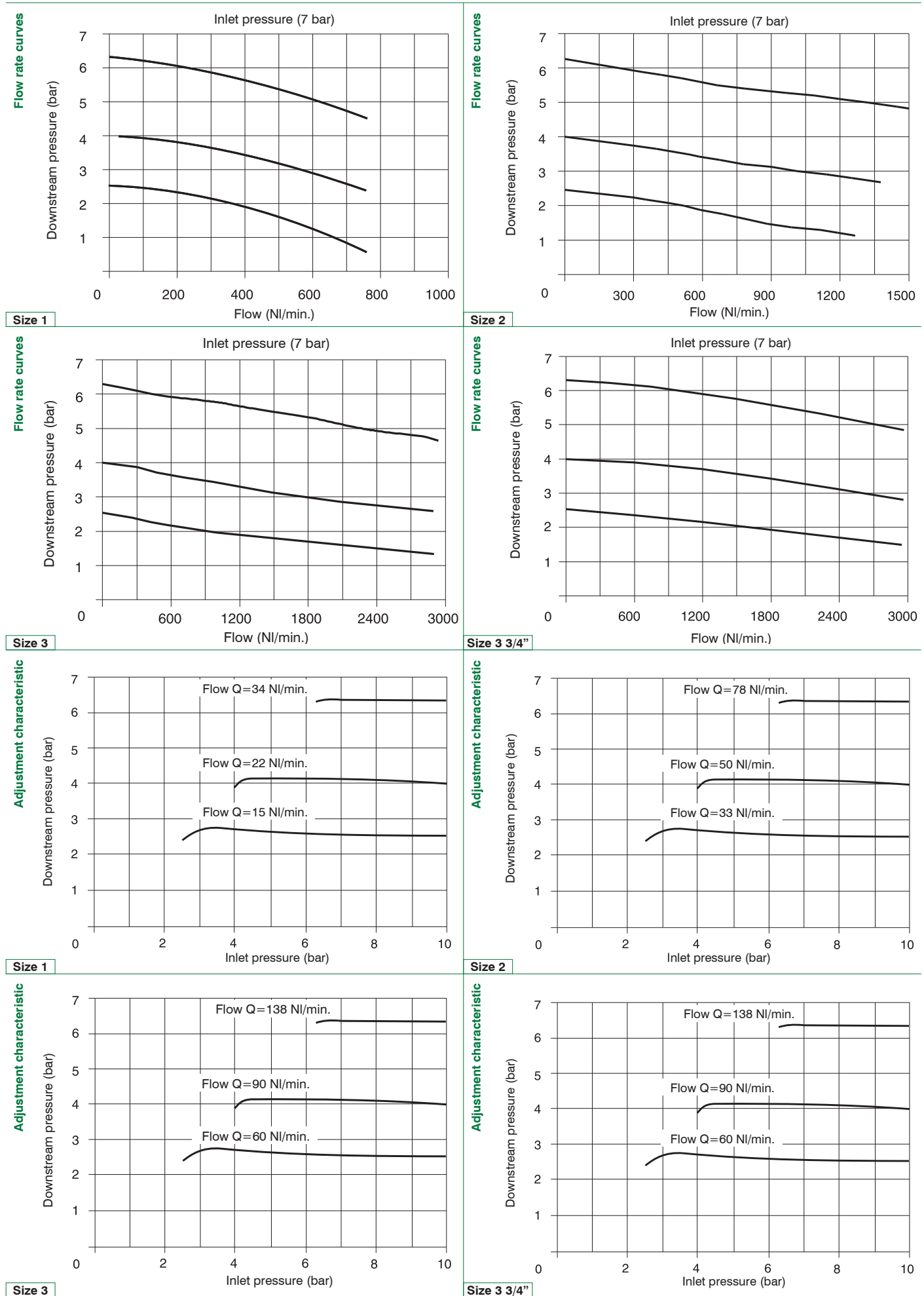
**Size 3 3/4"**



**Size 4**



Characteristic curves



2

AIR TREATMENT