

# 44-3200 Series

## Regulators - Pressure Reducing

D44321775X012

### Specifications

For other materials or modifications, please consult TESCOM.

#### OPERATING PARAMETERS

Pressure rating per criteria of ANSI/ASME B31.3

##### Maximum Inlet Pressure

500, 3000 psig / 34.5, 207 bar

##### Outlet Pressure Ranges

0-25, 0-50, 0-100, 0-150, 0-200 psig  
0-1.7, 0-3.4, 0-6.9, 0-10.3, 0-13.8 bar

##### Design Proof Pressure

150% of rated pressure

##### Leakage

**Internal:** Bubble-tight

**External:**  $< 2 \times 10^{-8}$  atm cc/sec He

##### Operating Temperature

-40°F to 140°F / -40°C to 60°C

##### Flow Capacity

$C_v = 1.0$

$C_v = 1.8$  (Optional)

#### MEDIA CONTACT MATERIALS

##### Body

Brass, 316 Stainless Steel

##### Bonnet

300 Series Stainless Steel

##### Diaphragm

316 Stainless Steel

##### Seat

**3000 psig / 207 bar Inlet:** CTFE

**500 psig / 34.5 bar Inlet:** Teflon®

##### Seat Retainer

Nitronic 60

##### Seal

Teflon®

##### Remaining Parts

316 Stainless Steel

#### OTHER

##### Cleaning

CGA 4.1 and ASTM G93

##### Weight (without gauges)

3.5 lbs / 1.6 kg

Teflon® is a registered trademark of E.I du Pont de Nemours and Company.



TESCOM 44-3200 Series is a compact, high flow, high purity single-stage regulator for specialty, flammable and industrial gas flows of 5-50 SCFM / 141-1415 SLPM. Diffusion-resistant metal diaphragm seal ensures gas purity and integrity.

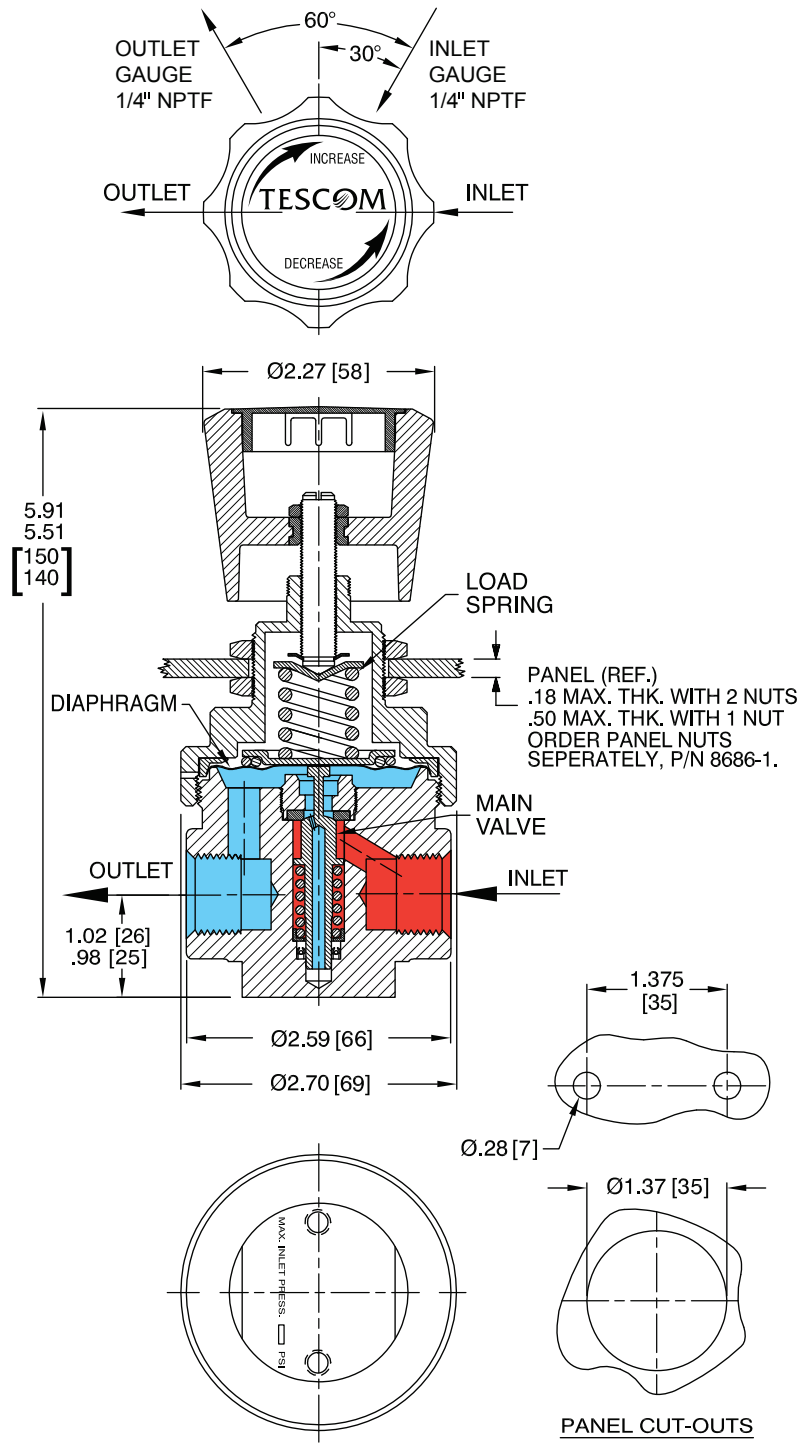
### Applications

- Laboratory and point-of-use gas systems
- Laser assist and resonator gases
- Glove box and isolators

### Features and Benefits

- Available in 316 Stainless Steel or Brass
- Choice of inlet pressure ratings: 500 or 3000 psig / 34.5 or 207 bar maximum
- True metal-to-metal diaphragm seal to minimize diffusion
- Five outlet pressure ranges are available
- Gauge ports are standard
- Optional high flow model ( $C_v = 1.8$ ) is available
- Panel mounting is optional
- Non-venting is standard

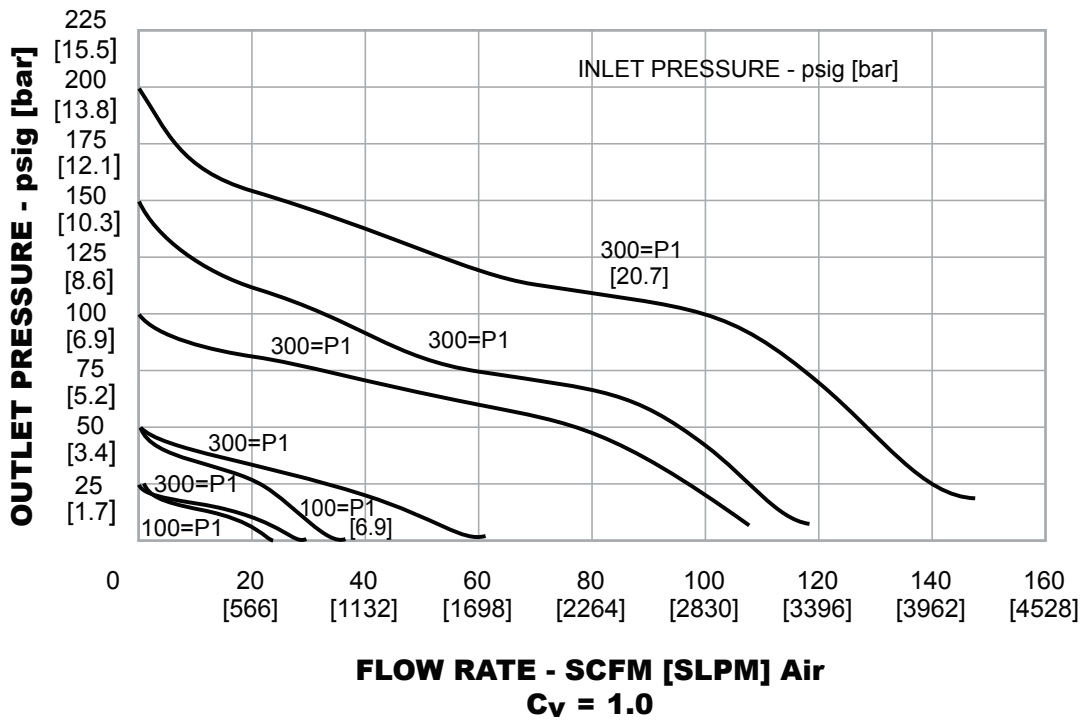
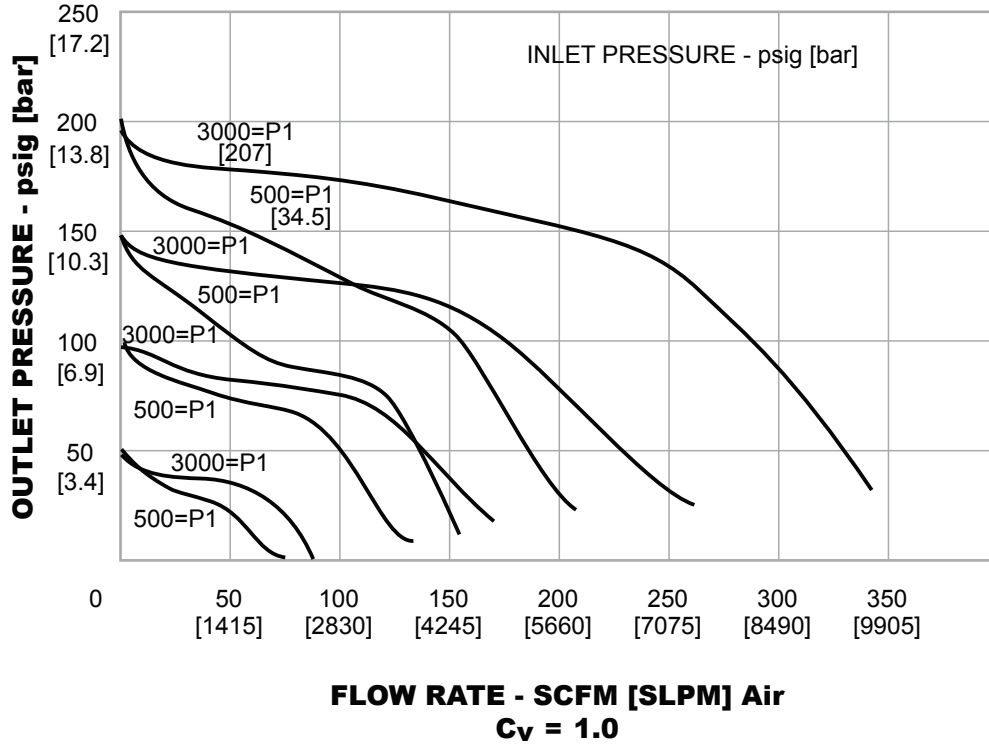
44-3200 Series Regulator Drawing



All dimensions are reference & nominal  
Metric [millimeter] equivalents are in brackets

### 44-3200 Series Regulator Flow Charts

For more information on how to read flow curves, please refer to the Flow Curves and Calculations document (debul2007x012) in the TESCOM catalog or on [www.tescom.com](http://www.tescom.com).



## 44-3200 Series Regulator Part Number Selector

*Repair Kits, Accessories & Modifications may be available for this product. Please contact TESCOM for more information.*

Example for selecting a part number:

44-32	6	1	J		2	8	1	OPTIONS
			SEAT	SEAL				
BASIC SERIES	BODY MATERIAL	OUTLET PRESSURE RANGES	SOFT GOODS		INLET AND OUTLET PORT TYPE	INLET AND OUTLET PORT SIZE	MAXIMUM INLET PRESSURE	
44-32	1 – Brass 6 – 316 Stainless Steel	0 – 0-25 psig 0-1.7 bar 1 – 0-50 psig 0-3.4 bar 2 – 0-100 psig 0-6.9 bar 3 – 0-150 psig 0-10.3 bar 4 – 0-200 psig 0-13.8 bar	H – Teflon® J – CTFE	Teflon®, O-ring Teflon®, Spring Energized Lip Seal	2 – NPTF	6 – 3/8" 8 – 1/2"	1 – 3000 psig 207 bar 3 – 500 psig 34.5 bar	-001 – One 1/4" gauge port at 90°, C <sub>v</sub> = 1.0 -003 – No gauge ports -296 – One 1/4" gauge port at 90°, C <sub>v</sub> = 1.8