

# OPERATING MANUAL SANITARY BUTTERFLY VALVE DVC TYPES 2600 & 2610

## Details on the use of the butterfly valve

The valves are not affixed with the CE-marking, and therefore they fall under the SEP (sound engineering practice) of the PED (pressure equipment directive) as per §4.3.

**The valves must not be used for dangerous gases as listed in PED fluida group 1 (e.g. ammonia, hydrogen, carbon monoxide)**

Specific restrictions for use in PN10 applications:

- Valve dimension DN150 must not be used for standard gases as listed in PED fluida group 2 (e.g. air, nitrogen)

Specific restrictions for use in PN16 applications:

- Valves from DN65 and up must not be used for standard gases as listed in PED fluida group 2 (e.g. air, nitrogen)
- Valve dimension DN150 must not be used for dangerous liquids as listed in PED fluida group 1 (e.g. sulphuric acid, lye)

# OPERATING MANUAL SANITARY BUTTERFLY VALVE

## **Instructions:**

1. The butterfly valves are designed using for different standards and low torque.  
And the valve can use for different handles or actuators. (as actuator manual)
2. Notice the valve is set in correct position on or off
3. The screws on the body must be locked.
4. Need often to check of the valve on-off in the correct position
5. The handle which connecting with the valve is not loose
6. Need to keep the valve surface clean and to prevent it not being damaged by strong acid
7. Disassemble the valve for cleaning its inner parts and surface and pay attention to keep all screws and gasket
8. Screws loose or bolt shorted on valves are both not allows to work
9. Make sure to check gasket (depends on your operate situation) or to replace a new gasket on schedule for avoid leaking

## **Notice:**

### **A. PRECAUTION BEFORE USING:**

1. Please keep butterfly valve dryly in safe area always
2. Stock handles and the butterfly valves in the right location to avoid being damaged.
3. Keep the valve surface clean and prevent not being damaged by strong acid.

### **B. CLEAN MODLE:**

1. Cleaning In Place(CIP) system

Follow the direction of your own CIP system.

Note: The pH of the cleaning liquid is different from the seal you use.

Avoid using steam cleaning on EPDM seal.

2. Clean Out Place(COP)

not recommended to use on welding valve

Disassemble the valve for cleaning its inner parts and surface.

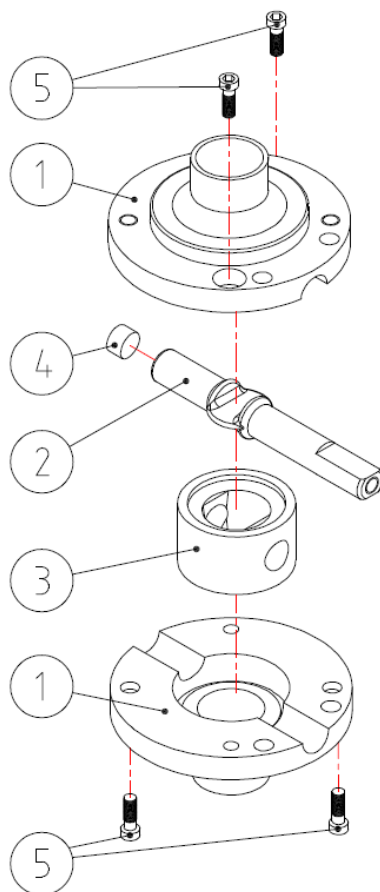
(advised to [page 4](#), **Dismantling**)

# OPERATING MANUAL SANITARY BUTTERFLY VALVE

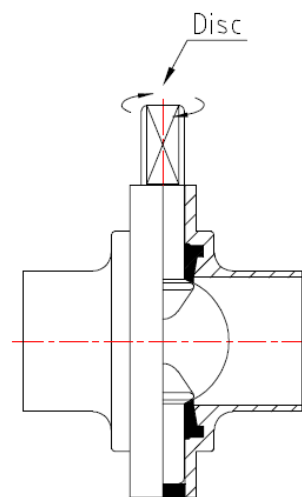
## C. WORK TEMPERATURE & PRESSURE:

1. Work pressure for valve: -0.9bar~10bar on water temperature 20°C
2. Work temperature(water):-50°C~210°C depend on Rubber seat:  
Silicon: -50°C~210°C, EPDM: -40°C~110°C, Viton: -10°C~210°C

Torque for full open/close(SIZE)	1.0"	1.5"	2.0"	2.5"	3.0"	4.0"
H/M	<13	<13	<16	<18	<23	<34



Parts list			
NO.	Parts name	Q'TY	Material
1	BODY	2	ST.ST 304 , 316 , 316L
2	DISC	1	ST.ST 304 , 316 , 316L
3	RUBBER SEAT	1	EPDM , Silicone , Viton
4	COVER	1	PTFE
5	SCREW BOLT	4	ST.ST 304



## Part Information

### BODY

1. Material: SS304 / SS316 / SS316L
2. Specification: 3A / SMS / DIN / BS ....etc.
3. Type: Weld / Clamp / Male Ends..... etc.

# OPERATING MANUAL

## SANITARY BUTTERFLY VALVE

### **Disc**

1. Material: SS304 / SS316 / SS316L
2. Specification: 3A/SMS/DIN/BS..... etc.  
Out from full machined & high level polished, the surface is less than Ra 0.8 $\mu$ m  
Disk assembling with the handle or actuator is square 9.5mm or 8 × 12mm or 12 × 12mm, Connection part is meeting USA and Europe requirement (Electric polished and PTFE coating can be required)

### **Rubber Seat**

1. Material: EPDM / SILICON / VITON
2. Make sure to check gasket (depends on your operate situation) or to replace a new gasket on schedule for avoiding leaking.

### **Screw Bolt**

1. Material: SS304
2. The screws on the body must be locked.
3. Screws loose or bolt shorted on valves are both not allows to work.

### **Handle:**

1. Different Nylon re-force and stainless steel handle in gripper, pull, press type.
2. Form 2 Position up to 12 position, design for your width range and good options

### **D. ASSEMBLY THE DIFFERENT HANDLE:**

1. Please check the dimension of disk to assemble the correct handle
2. Please check handle on-off in correct position after assembling on valve

### **E. ASSEMBLY ON THE PIPE LINE:**

- a. Weld end:
  1. Please disassemble the weld flanges for welding to avoid the gasket damaged
  2. Please clean all inner surface while assembling after welding
  3. Please tight up all of screws bolts
  4. Please turn on-off position few times for making sure it works smoothly
- b. Clamp end & Screw end
  1. Please re-check the correct size clamp (ferrule) or thread on valve
  2. Please re-check correct clamp (ferrule) / thread on the piece that are going to be connected.
  3. Need tight up valve with connecting piece or clamp-ring.
  4. Please turn on-off position few times for making sure it works smoothly

# OPERATING MANUAL

## SANITARY BUTTERFLY VALVE

### **G. Dismantling**

#### **ON THE PIPELINE**

##### **- Weld End**

1. Change the Seal
  - a. Loosen the screws of valve.
  - b. Carefully separate the valve body.
  - c. Remove the shaft or the seal ring of valve body.
  - d. Change new seals on.
  - e. Tighten the screws up.
  - f. Change the whole valve
2. Saw the valve on the pipe line.
  - a. (Or any other way to remove the valve)
  - b. Remove the used valve.
  - c. Replace a new valve on.
  - d. Carefully weld the connection of valve and pipe line.
  - e. Clamp End

##### **- Clamp End**

1. Loosen the clamp one the valve.
2. Remove the wing-nut of the clamp.
3. Remove the used valve.
4. Replace a new valve on.
5. Shackle the valve and pipeline together.

##### **- Male End**

1. Swivel the nut which is the connection of valve and pipeline.
2. Remove the used valve.
3. Replace a new valve on.
4. Swivel the nut back to the pipeline.

##### **- Valve**

1. Set the valve in half open position.
2. Loosen all the screws.
3. Remove the seal ring on the valve.
4. Remove the shaft.
5. Remove the central ring on the disc.