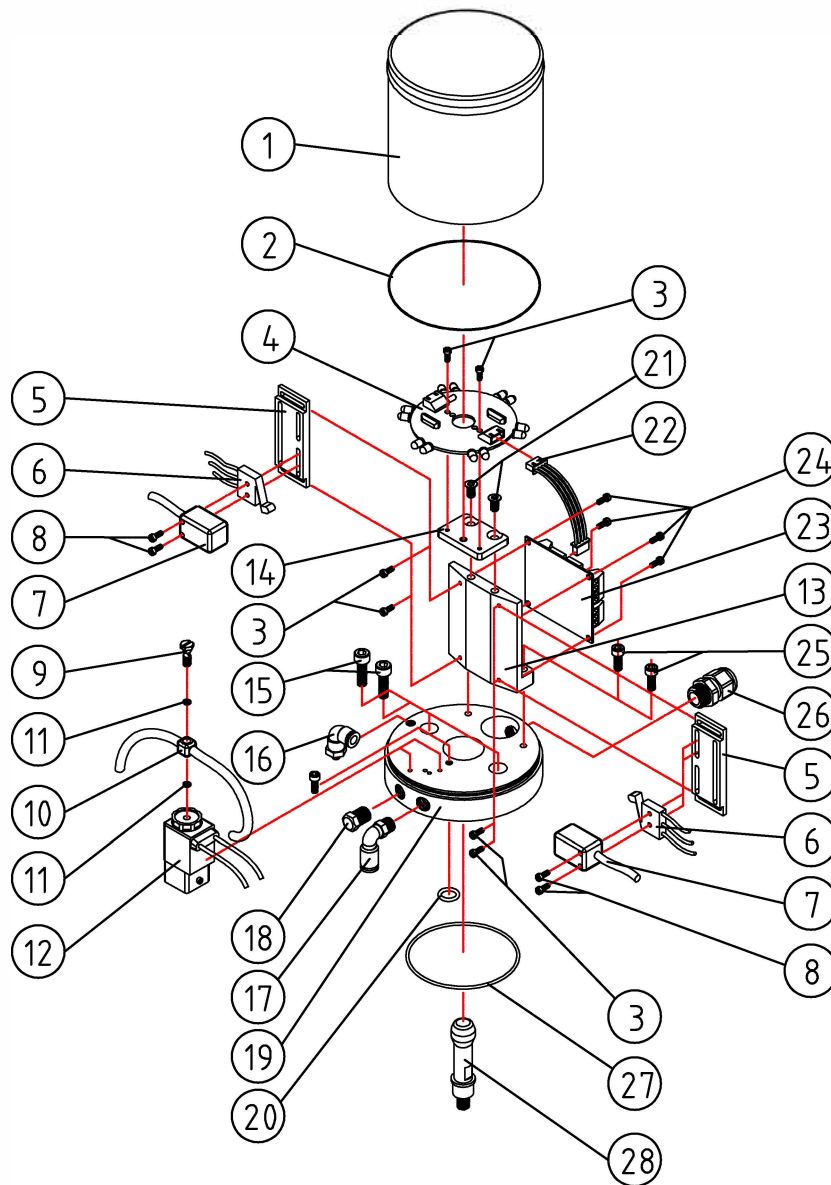


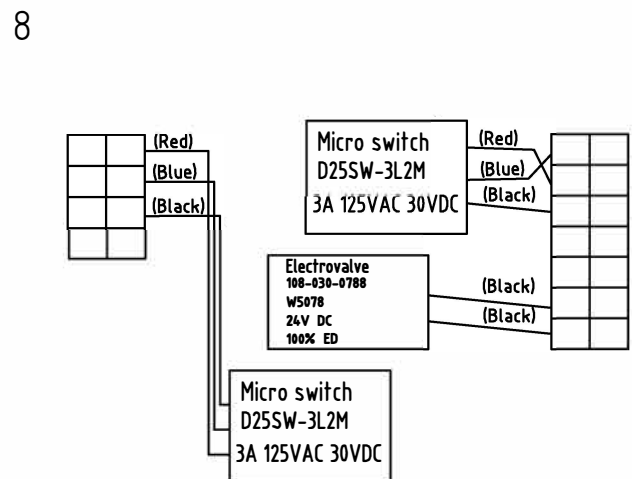
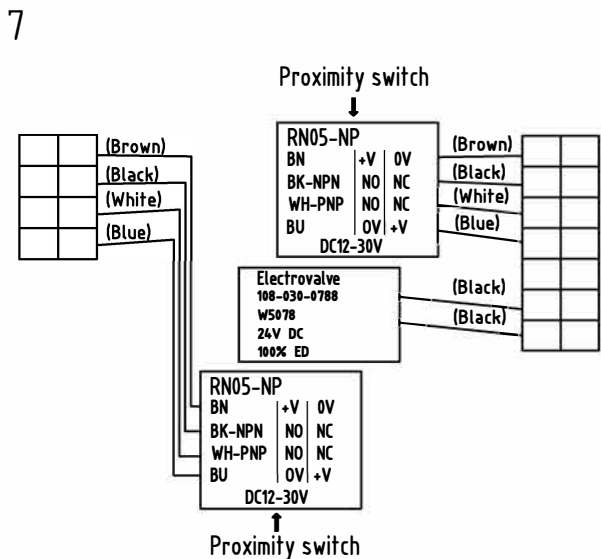
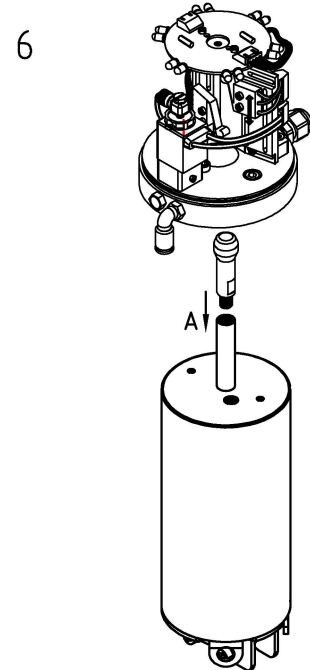
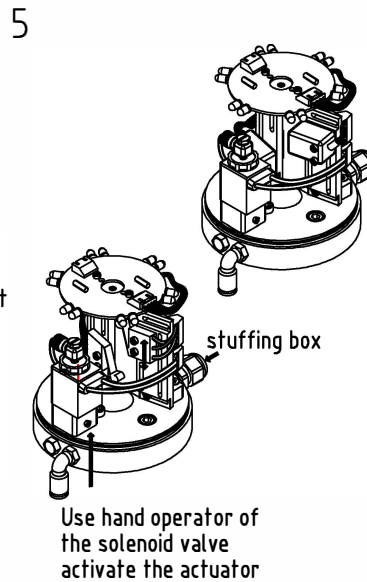
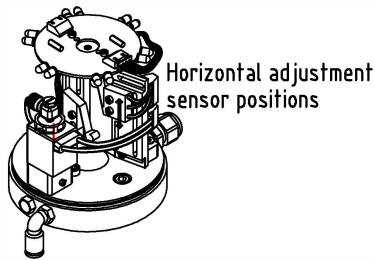
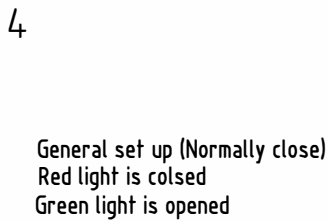
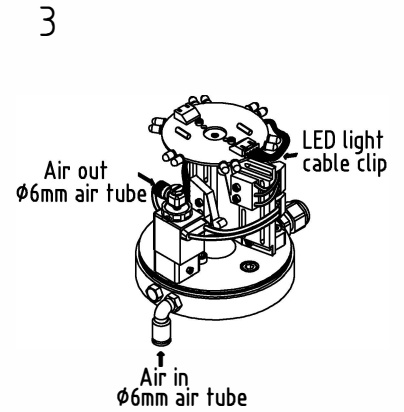
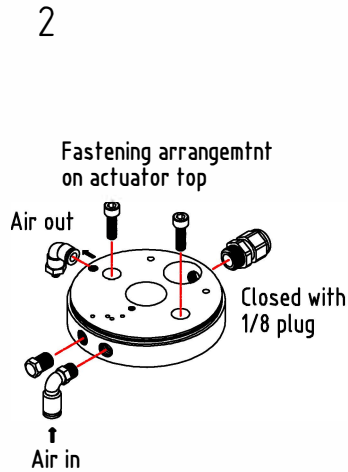
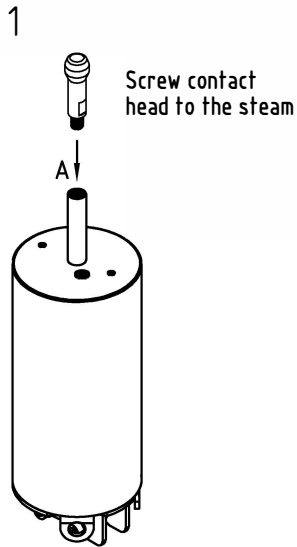
C2 & C101 Control box instruction



Parts List

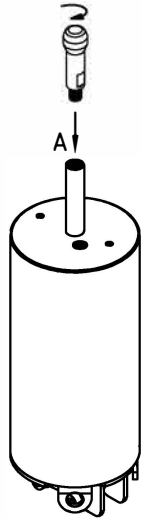
Item	Parts Name	Q'TY	Material	Item	Parts Name	Q'TY	Material
1	Cover	1	ST.ST 304	15	Screw(M6x15L)	2	ST.ST 304
2	O-Ring(75.92x1.78)	1	NBR	16	Air connection	1	Plastic
3	Screw(M3x10L)	4	ST.ST 304	17	Air connection	1	Copper
4	LED Light board	1		18	Screw(PT1/8")	1	ST.ST 304
5	Fixing piece	2	NYLON 66	19	Air manifold	1	ST.ST 304
6	Micro switch	2		20	O-Ring(11x3)	1	NBR
7	Proximity sensor	2		21	Screw(M5x10L)	2	ST.ST 304
8	Screw(M3x15L)	4	ST.ST 304	22	Cable	1	
9	Screw	1	ST.ST 304	23	Circuit board	1	
10	Exhaust pipe	1		24	Screw(M3x8L)	4	ST.ST 304
11	Gasket	2	PE	25	Screw(M5x12L)	2	ST.ST 304
12	Electrovalve	1		26	Cable head	1	NYLON 66
13	Stent-A	1	POM	27	O-Ring(73x1.85)	1	NBR
14	Stent-B	1	POM	28	Contact head	1	ST.ST 304

Installation for C2 & C101 actuator



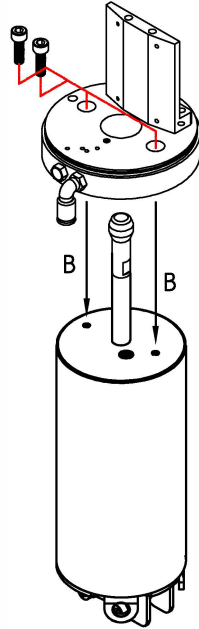
General Installation for C2 & C101 actuator

Put the connection hwd and screw it to the stem



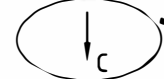
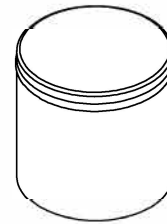
9

Put the contact head on the housing, screw M6x1.0 screws

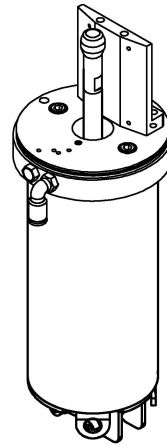


10

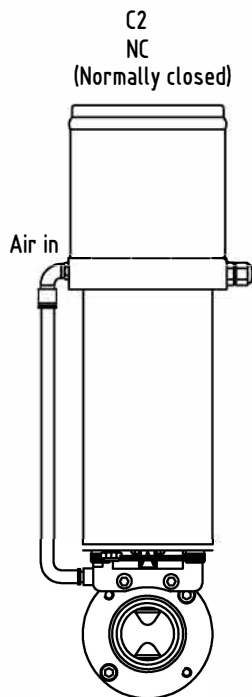
Put on the bottom set and press down



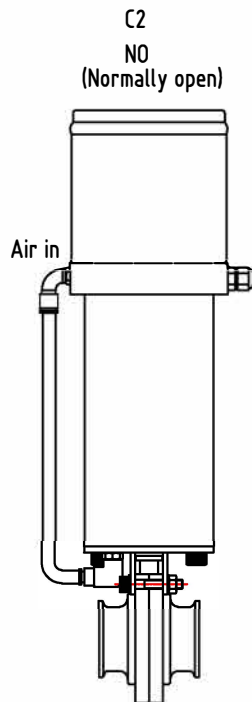
Remember O-ring



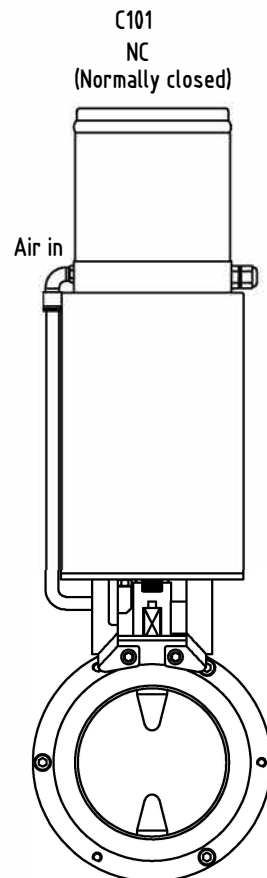
11



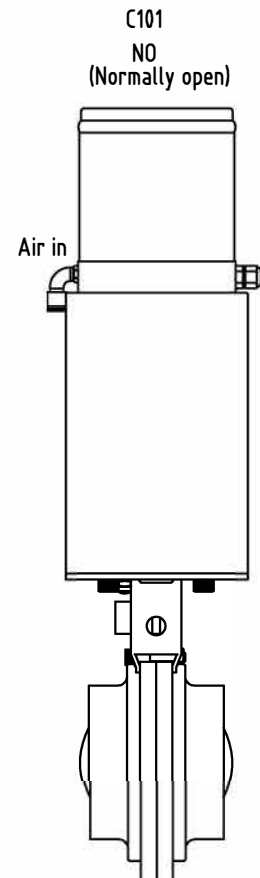
12



13

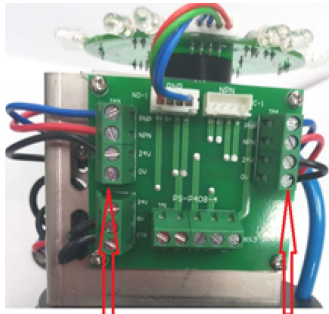


14



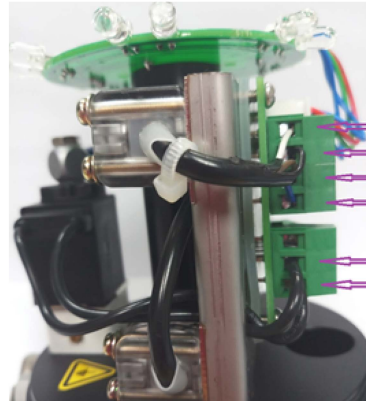
15

General Installation for C2 and C101 actuator



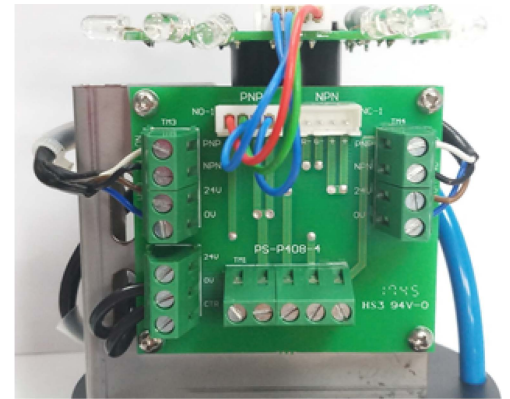
The left cable group is for controlling red light.

The right cable group is for controlling green light.



White
Black
Brown
Blue

2 wires of solenoid valve connecting with those 2 holes for PNP



Wiring diagram for Control Box

- Constant supply voltage 24VDC on terminals '0V' and '24V'
- Supply +24VDC to terminal 'CTR' to activate solenoid valve and open the valve
- Feedback comes as +24VDC on terminals 'R+' and 'G+' for open and close respectively

