

## 26-2900 Series

### Regulators - Relief / Backpressure

D26291387X012

### Specifications

For other materials or modifications, please consult TESCOM.

#### OPERATING PARAMETERS

Pressure rating per criteria of ANSI/ASME B31.3

##### Maximum Control Pressure

1000 psig / 69.0 bar

##### Maximum Reference Ranges

1000 psig / 69.0 bar

##### Bias Pressure Ranges

0, 0-15, 0-30, 0-45 psig / 0, 0-1.0, 0-2.1, 0-3.1 bar

##### Design Proof Pressure

150% maximum rated

##### Leakage

Bubble-tight

##### Operating Temperature

0°F to 165°F / -18°C to 74°C

##### Flow Capacity

$C_v = 2.0$

##### Crack-to-Reseat Differential

**0-15 psig / 0-1.0 bar Range:** 3 psid / 0.21 bar

**0-30 psig / 0-2.1 bar Range:** 5 psid / 0.34 bar



TESCOM 26-2900 Series is a dome loaded, negative bias, backpressure tracking regulator with a balanced main valve. This regulator controls upstream pressures up to 1000 psig / 69.0 bar with spring bias setting.

#### MEDIA CONTACT MATERIALS

##### Body

303 Stainless Steel or Brass

##### Seat

CTFE

##### Diaphragm

(Unreinforced) Viton-A®

##### O-Rings

Viton-A®

##### Back-up Rings

Teflon®

##### Remaining Parts

300 Series Stainless Steel and Brass

#### OTHER

##### Cleaning

CGA 4.1 and ASTM G93

##### Weight

10 lbs / 4.5 kg

Viton® and Teflon® are registered trademarks of E.I. du Pont de Nemours and Company.

### Applications

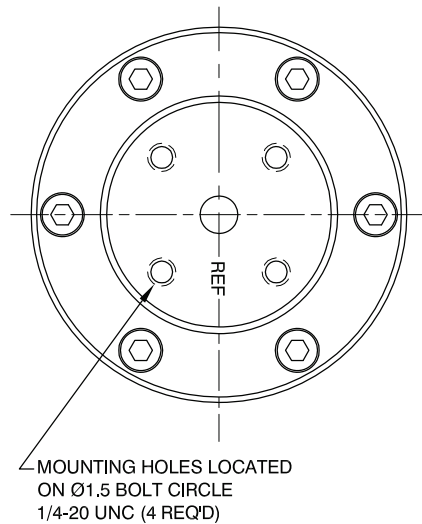
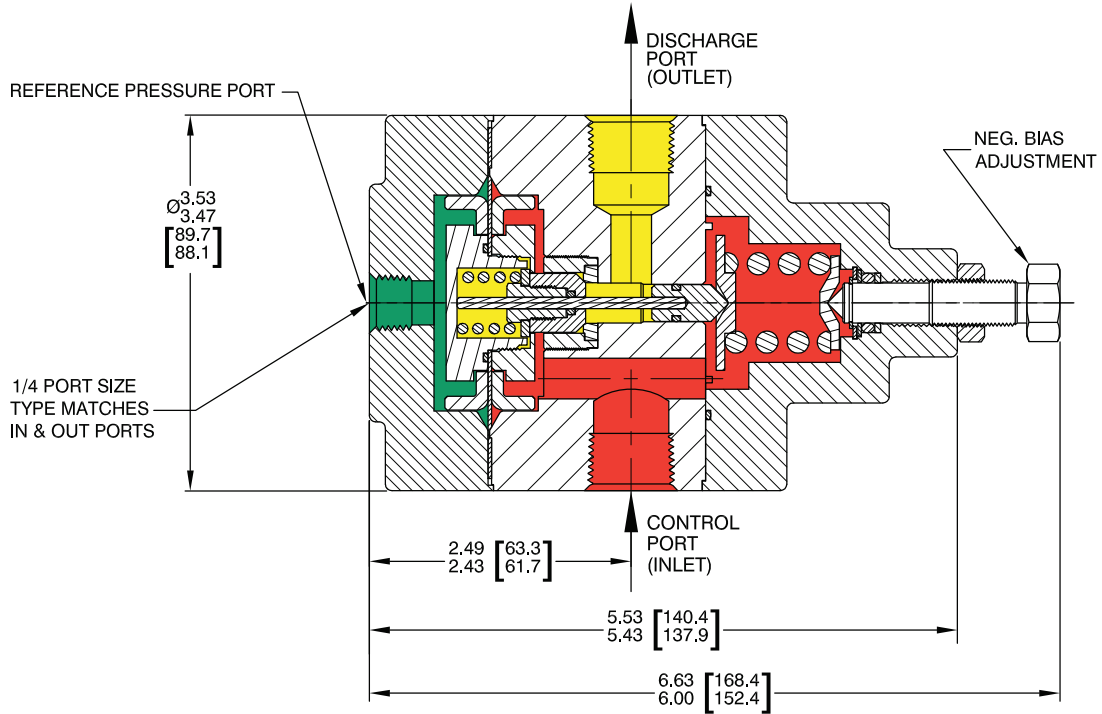
#### Constant bias applications:

- Offshore diving applications
- Dumping exhaled breath from pressure chamber (BIBS)
- Diving bell

### Features and Benefits

- Balanced stem design eliminates the need to adjust bias over a wide range of operating pressures
- High flow capacity:  $C_v = 2.0$
- Diaphragm sensed
- Low accumulation
- Mounts in any position
- Choice of Stainless Steel or Brass construction

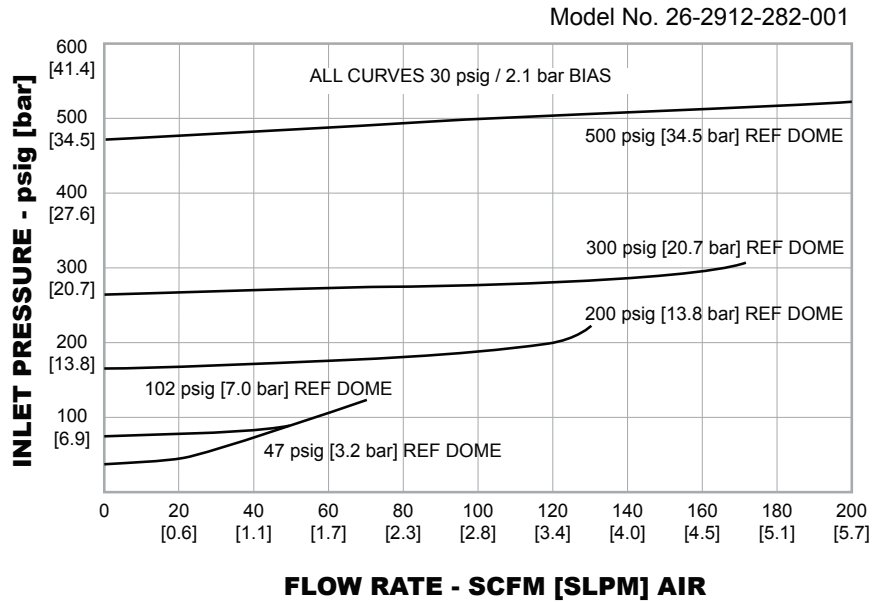
26-2900 Series Regulator Drawing



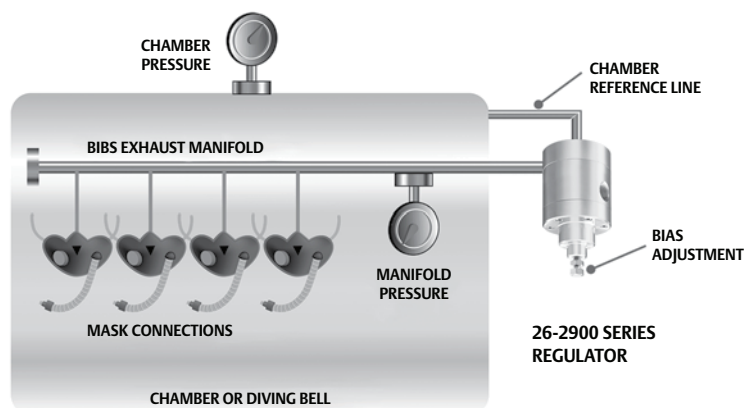
All dimensions are reference & nominal  
Metric [millimeter] equivalents are in brackets

## 26-2900 Series Regulator Flow Chart

For more information on how to read flow curves, please refer to the Flow Curves and Calculations document (debul2007x012) in the TESCOM catalog or on [www.tescom.com](http://www.tescom.com).



## 26-2900 Series Regulator Typical Installations



- Dumping exhaled breath out of a pressure chamber (BIBS)
- Constant bias applications such as offshore diving apparatus

