

DESCRIPTION

Solenoid valve 2 way normally closed
direct acting poppet type.

With explosion proof coil certified for hazardous area:

ATEX II 2GDEx d IIC T6 or T5 or T4 Gb

Ex tb IIIC T80°C or T95°C or T130°C Db IP66

Tamb -40°C ÷ +35°C(T6) or +50°C(T5) or +60°C(T4)

CESI 03 ATEX 344 Extension No. 01/12

(other certifications e.g.EAC, INMETRO, CCOE etc. on request)



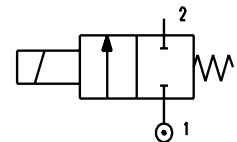
2

VALVE CONSTRUCTION

Body Brass
Seal material NBR - FPM - EPDM

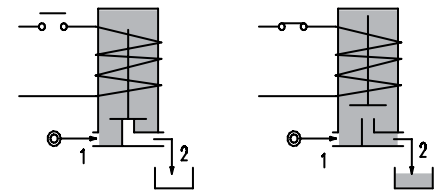
EXPLOSION PROOF COIL CONSTRUCTION

Housing Red colour alloy (painted with epoxy powder)
Electrical connection 1/2" NPT (M20x1.5 on request)



FEATURES

Maximum allowable pressure PS 100bar
Maximum fluid viscosity 25cSt (mm²/s)
Ambient temperature: -40°C ÷ +35°C(T6), +50°C(T5), +60°C(T4)
Mounting position with vertical coil above



OPTIONS: Stainless steel coil housing (see coil X6 section 8)
Manual override
Electroless nickel plating
Stainless steel seat insert (up to Ø4.5)

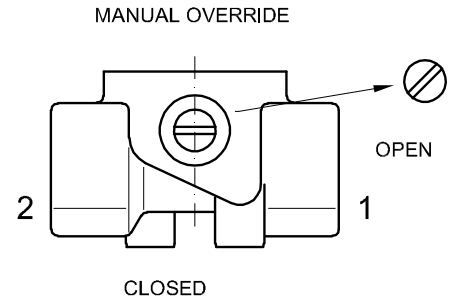
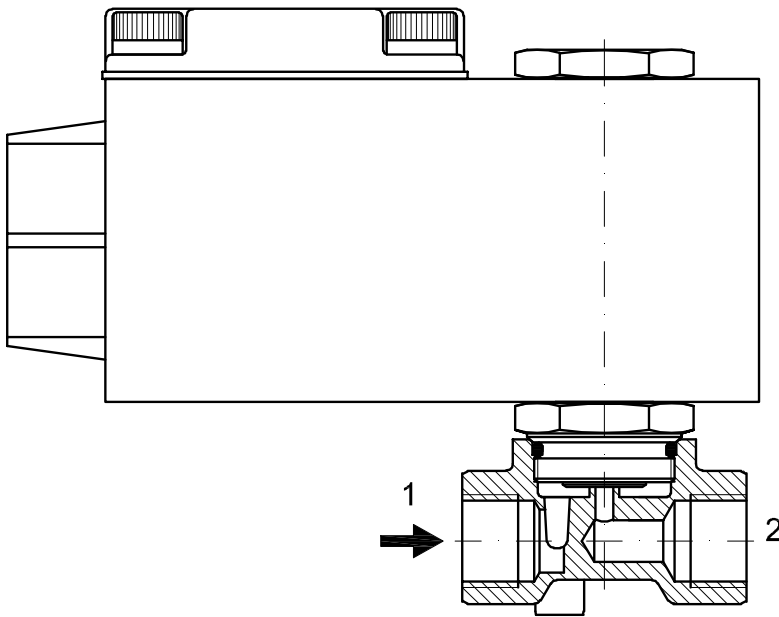
NOTE: The solenoid valve is suitable only with media that are **NOT** potentially explosive

CODE ① ② ③	Connection G ISO 228	Orifice mm	Kv m ³ /h	Differential pressure bar			Nominal power		Coil series	Seal	Temp. range °C
				Min	Max		AC Holding	DC			
					AC	DC					
A106... ..10/1/...	1/8"	1	0.04	0	80	80	12 VA	8W	A6	NBR=B EPDM=E FPM=V	-10 +80
A106... ..12/1/...		1.2	0.05	0	60	60					
A106... ..15/1/...		1.5	0.07	0	30	26					
A106... ..20/1/...		2	0.1	0	22	20					
A106... ..25/1/...	1/4"	2.5	0.15	0	16	14					
A106... ..30/1/...		3	0.25	0	15	10					
A106... ..35/1/...		3.5	0.32	0	10	8					
A106... ..40/1/...	1/4"	4	0.36	0	8	5					
A106... ..45/1/...		4.5	0.41	0	6.5	3.5					
A106... ..52/1/...		5.2	0.47	0	4	1.8					
A106... ..64/1/...		6.4	0.64	0	3	1					

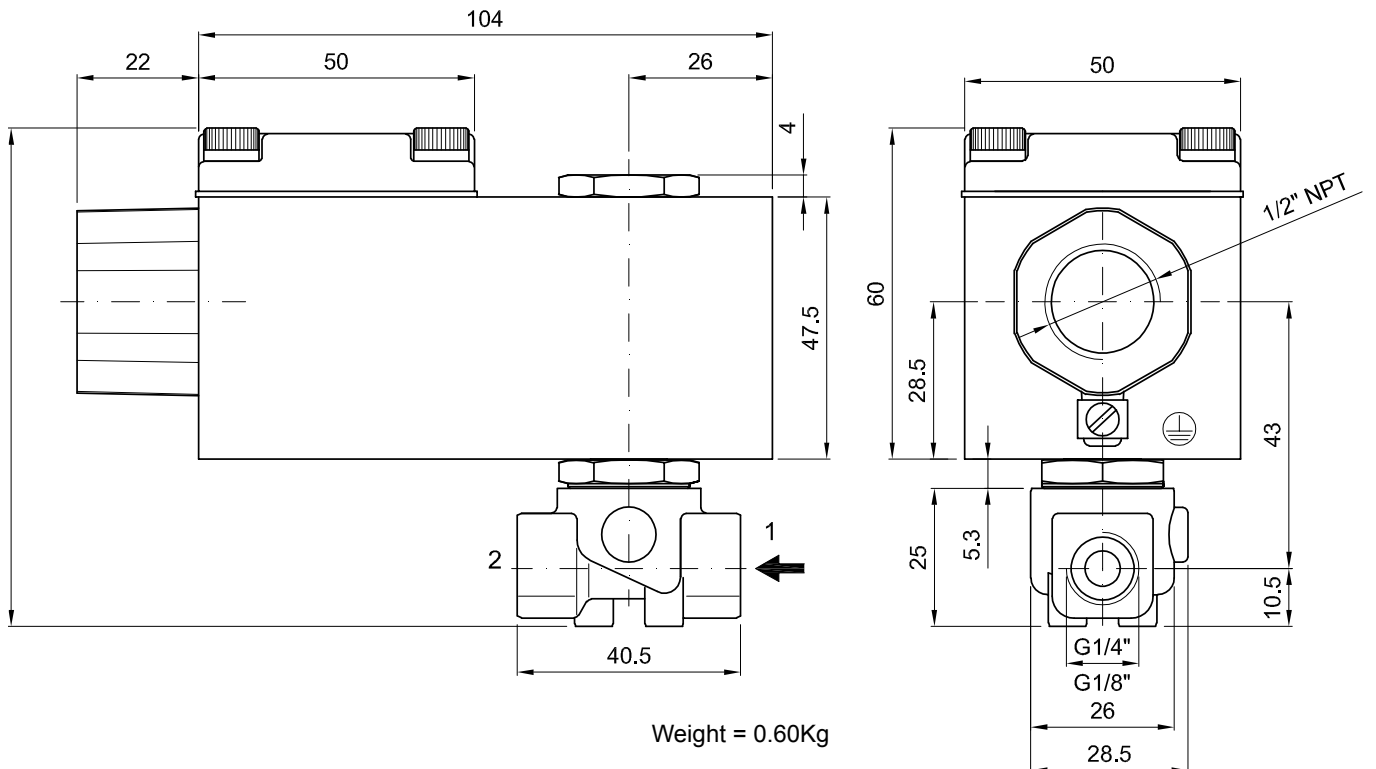
- ① Connection: A=1/8" , B=1/4"
- ② Seal
- ③ Coil

COILS ③	Alternating Current 50/60Hz (V)				Direct Current (V)			Electrical connection
	24	48	110	220 230	12	24	48	
Series A6	A6B	A6C	A6D	A6E	A60	A61	A62	1/2" NPT

DESCRIPTION
 Voltage tolerance
 AC +15% -10%
 DC ± 10%
 Protection class IP66
 Continuous service ED100%



OVERALL DIMENSION



DESCRIPTION

Solenoid valve 2 way normally closed
direct acting poppet type.

With explosion proof coil certified for hazardous area:

ATEX II 2GDEx d IIC T6 or T5 or T4 Gb

Ex tb IIC T80°C or T95°C or T130°C Db IP66

Tamb -40°C ÷ +35°C(T6) or +50°C(T5) or +60°C(T4)

CESI 03 ATEX 344 Extension No. 01/12

(other certifications e.g.EAC, INMETRO, CCOE etc. on request)



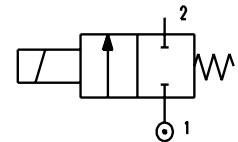
2

VALVE CONSTRUCTION

Body Brass
Seal material NBR - FPM - EPDM

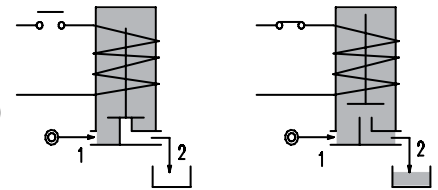
EXPLOSION PROOF COIL CONSTRUCTION

Housing Red colour alloy (painted with epoxy powder)
Electrical connection 1/2" NPT (M20x1.5 on request)



FEATURES

Maximum allowable pressure PS 100bar
Maximum fluid viscosity 25cSt (mm²/s)
Ambient temperature: -40°C ÷ +35°C(T6), +50°C(T5), +60°C(T4)
Mounting position with vertical coil above



OPTIONS: Stainless steel coil housing (see coil X6 section 8)
Electroless nickel plating
Stainless steel seat

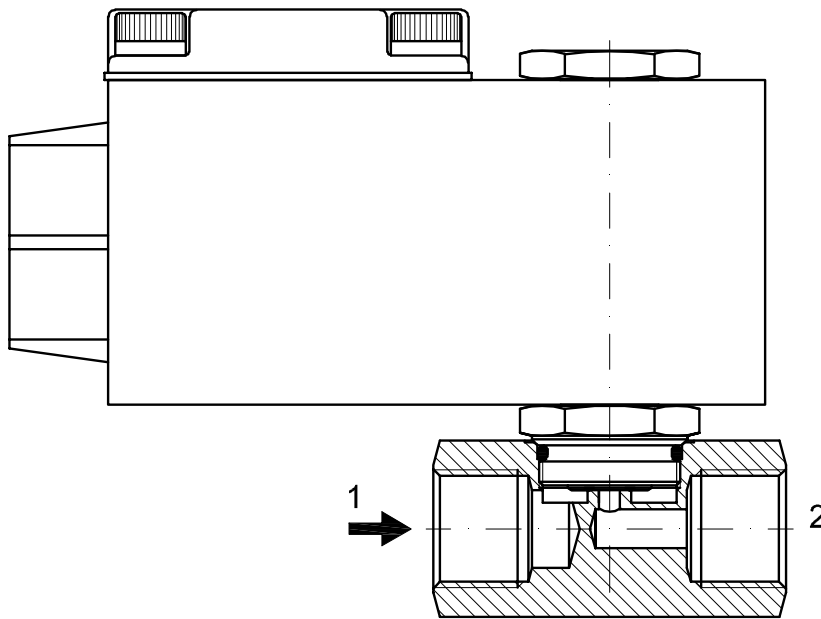
NOTE: The solenoid valve is suitable only with media that are **NOT** potentially explosive

CODE ① ② ③	Connection G ISO 228	Orifice mm	Kv m ³ /h	Differential pressure bar			Nominal power		Coil series	Seal	Temp. range °C	
				Min	Max AC DC		AC Holding	DC				
A106... ..10/1/...	3/8"	1	0.04	0	80	80	12 VA	8W	A6	NBR=B EPDM=E FPM=V	-10 +80	
A106... ..12/1/...		1.2	0.05	0	60	60						
A106... ..15/1/...		1.5	0.07	0	30	26						
A106... ..20/1/...		2	0.1	0	22	20						
A106... ..25/1/...		2.5	0.15	0	16	14						
A106... ..30/1/...		3	0.25	0	15	10						
A106... ..35/1/...		1/2"	3.5	0.32	0	10						8
A106... ..40/1/...			4	0.36	0	8						5
A106... ..45/1/...			4.5	0.41	0	6.5						3.5
A106... ..52/1/...			5.2	0.47	0	4						1.8
A106... ..64/1/...		6.4	0.64	0	3	1						

- ① Connection: C=3/8" , D=1/2"
- ② Seal
- ③ Coil

COILS ③	Alternating Current 50/60Hz (V)				Direct Current (V)			Electrical connection
	24	48	110	220 230	12	24	48	
Series A6	A6B	A6C	A6D	A6E	A60	A61	A62	1/2" NPT

DESCRIPTION
 Voltage tolerance
 AC +15% -10%
 DC ± 10%
 Protection class IP66
 Continuous service ED100%



OVERALL DIMENSION

