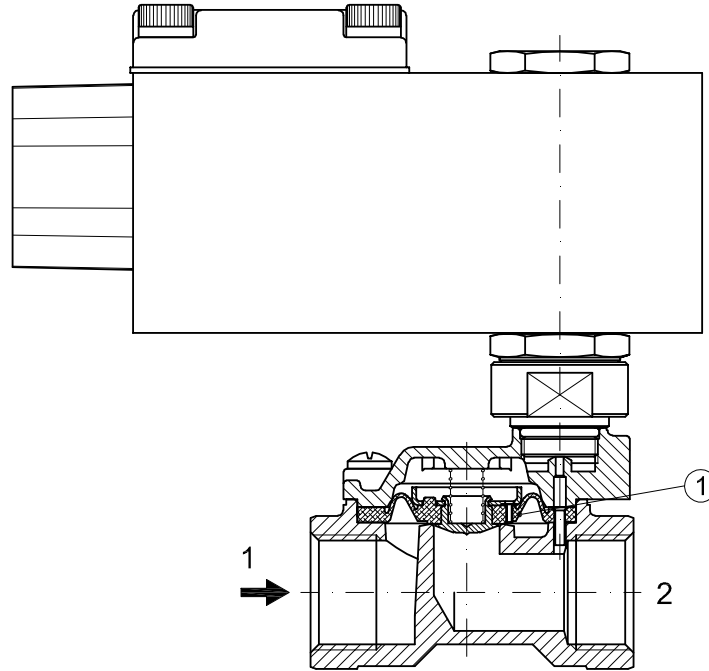


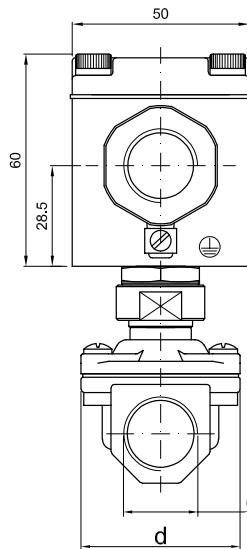
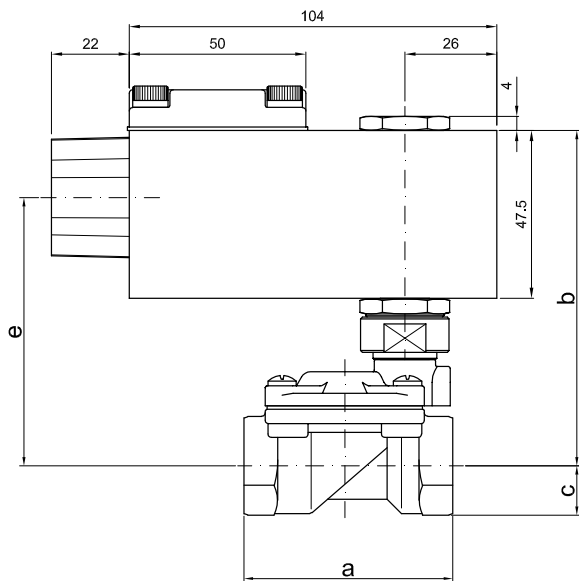
COILS ②	Alternating Current 50/60Hz (V)				Direct Current (V)			Electrical connection
	24	48	110	220 230	12	24	48	
Series A6	A6B	A6C	A6D	A6E	A60	A61	A62	1/2" NPT

DESCRIPTION
 Voltage tolerance
 AC +15% -10%
 DC ± 10%
 Protection class IP66
 Continuous service ED100%

SPARE PARTS LIST
 1. Diaphragm assembly



OVERALL DIMENSION



CONNECTION	a	b	c	d	e	weight Kg
G3/8" Ø12	59	95	14	45	76	1.12
G1/2" Ø12	59	95	14	45	76	1.14
G3/4"	79	101	18	54	82	1.37
G1"	96	110	20	72	91	1.77