

# 2-PCS BALL VALVE WITH ISO MOUNTING FLANGE

## TYPE 1432

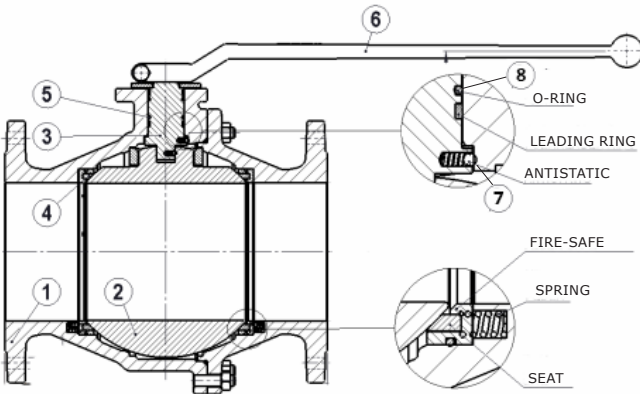


### GENERAL

DIMENSION:	DN 25 - DN 150
FLANGES/PRESSURE:	DIN 2543 - PN 16
MATERIAL:	DUCTILE IRON GGG-40
FACE-TO-FACE:	DIN 3202 - F18
MOUNTING FLANGES:	ISO 5211
TEMPERATURE:	-10°C TO +180°C (TEMPERATURE DEPENDS ON PRESSURE)

### OPTIONS

DIMENSION:	DN 200
PRESSURE:	PN 6 - PN 40
SEAT/GASKETS:	VARIOUS MATERIALS

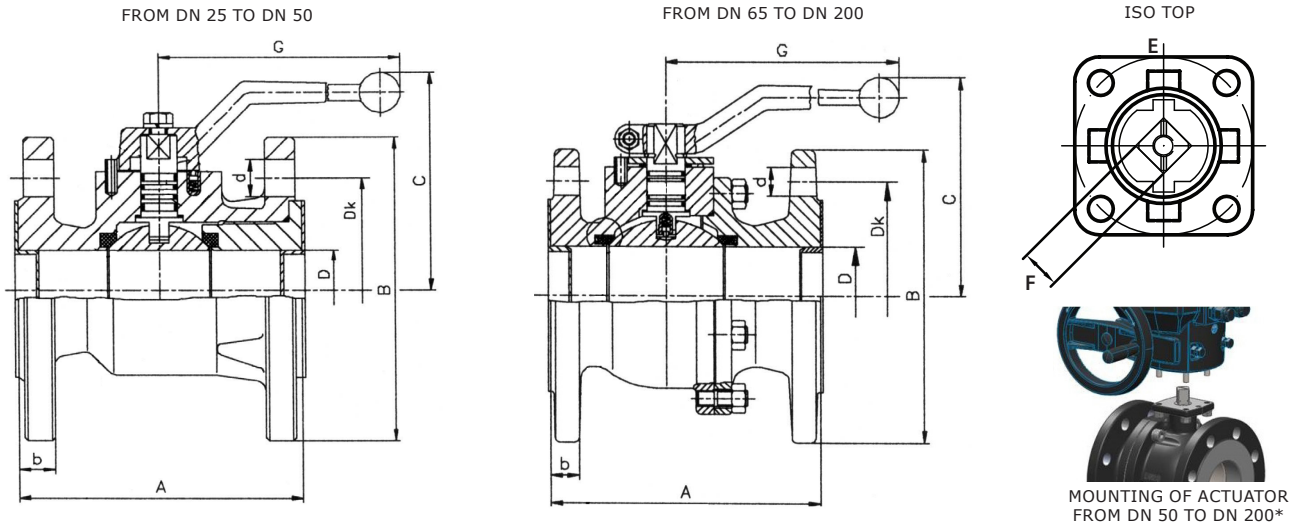


POS	DESCRIPTION	MATERIAL
1	BODY	DUCTILE IRON GGG-40
2	BALL	STAINLESS STEEL AISI 304
3	STEM	STAINLESS STEEL AISI 420
4	SEAT	PTFE
5	STEM PACKING	PTFE
6	HANDLE	ALUMINIUM
7	ANTISTATIC DEVICE	STEEL
8	O-RING	PTFE

### DESCRIPTION

- **Robust ball valve in ductile iron**, with PTFE seats
- **Antistatic device** protecting against spark formation and explosion danger.
- **Full bore** providing a minimal loss of pressure through the ball valve.
- **Integrated ISO 5211 mounting flange** for mounting of actuator with bracket and coupling. Directly mounting of the actuator is possible from DN 50.
- **Fire Safe design**
- **For steam** the valve can be used up to 158°C at max. 5 bar(g)

## DIMENSIONS



DIM	VALVE WITH HANDLE									STEM	TOP FLANGE BOLTS
	A [MM]	B [MM]	C [MM]	D [MM]	G [MM]	b [MM]	DK [MM]	d [MM]	E [ISO]		
25	125	115	83	25	158	18	85	14	F04	14X10	M5X30
32	130	140	102	32	180	18	100	18	F05	17.8X14	M5X30
40	140	150	107	40	180	18	110	18	F05	17.8X14	M6X35 (40)
50	150	165	116	50	222	20	125	18	F05*	14*	M6X35 (40)
65	170	185	140	64	293	18	145	18	F07*	17*	M8X40
80	180	200	150	78	293	20	160	18	F07*	17*	M8X40
100	190	220	166	99	293	20	180	18	F07*	17*	M8X40
125	325	250	241	124	600	22	210	18	F10*	22*	M10X40
150	350	285	258	149	600	22	240	22	F10*	22*	M10X40
200	400	340	316	200	1000	24	295	22	F12*	30*	M12X60

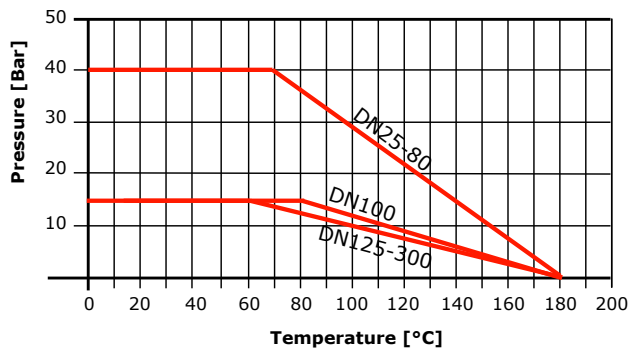
\* NEW EDITION

## VALVE DATA

DIM [MM]	TORQUE** [NM]	KV-VALUE COMPLETELY OPEN [M <sup>3</sup> /H]	WEIGHT [KG]
25	19.5	15	3.8
32	26.0	35	5.8
40	32.5	65	7.0
50	45.5	95	9.7
65	58.5	130	14.6
80	78.0	315	20.1
100	117.0	685	27.4
125	234.0	895	55.3
150	325.0	1423	73.6
200	520.0	2480	144.0

\*\* Torque figures include 30% safety factor.  
 When dimensioning actuators the following must be added: + 15% by dry air and demineralized water.  
 + 30% by sludge and abrasive media.  
 - 15% by lubricating media.

## PRESSURE/TEMPERATURE



## HEAD LOSS CURVE

