

# 3-PCS CHECK VALVE WITH THREAD ENDS

## TYPE 380



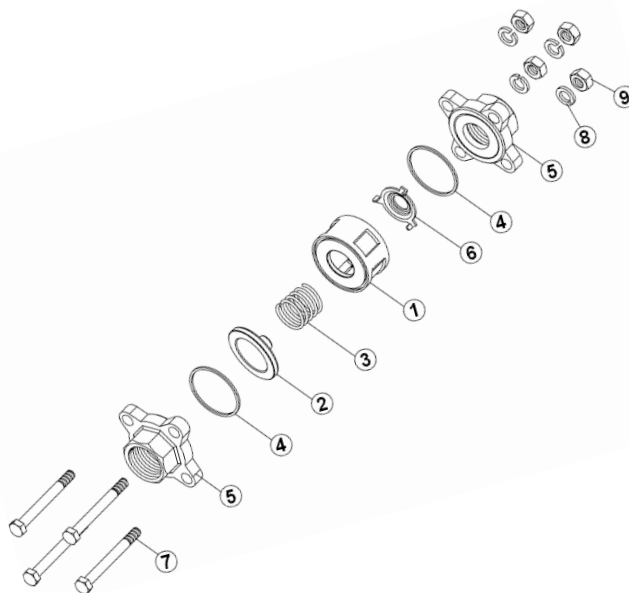
### GENERAL

DIMENSION:	1/4" TO 2"
PRESSURE:	PN63
TEMPERATURE:	-20°C TO 200°C
MATERIAL:	ACID-PROOF STAINLESS STEEL
CONNECTION:	THREADED ENDS - BSPP

### OPTION

SIZE:	2½" TIL 4"
THREAD ENDS:	NPT (TYPE 384)
APPROVALS:	EU1935

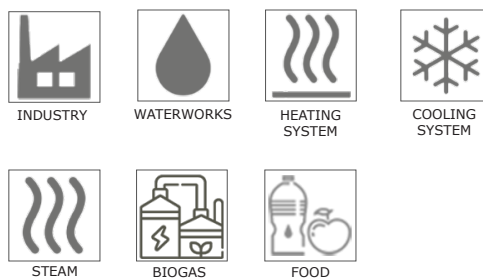
POS	DESCRIPTION	MATERIAL
1	BODY	STAINLESS STEEL 1.4408
2	DISC	STAINLESS STEEL AISI 316
3	SPRING	STAINLESS STEEL AISI 316
4	GASKET	PTFE
5	END CAP	STAINLESS STEEL 1.4408
6	GLAND	STAINLESS STEEL AISI 316
7	BOLT	STAINLESS STEEL A2-70
8	SPRING WASHER	STAINLESS STEEL AISI 304
9	NUT	STAINLESS STEEL A2-70



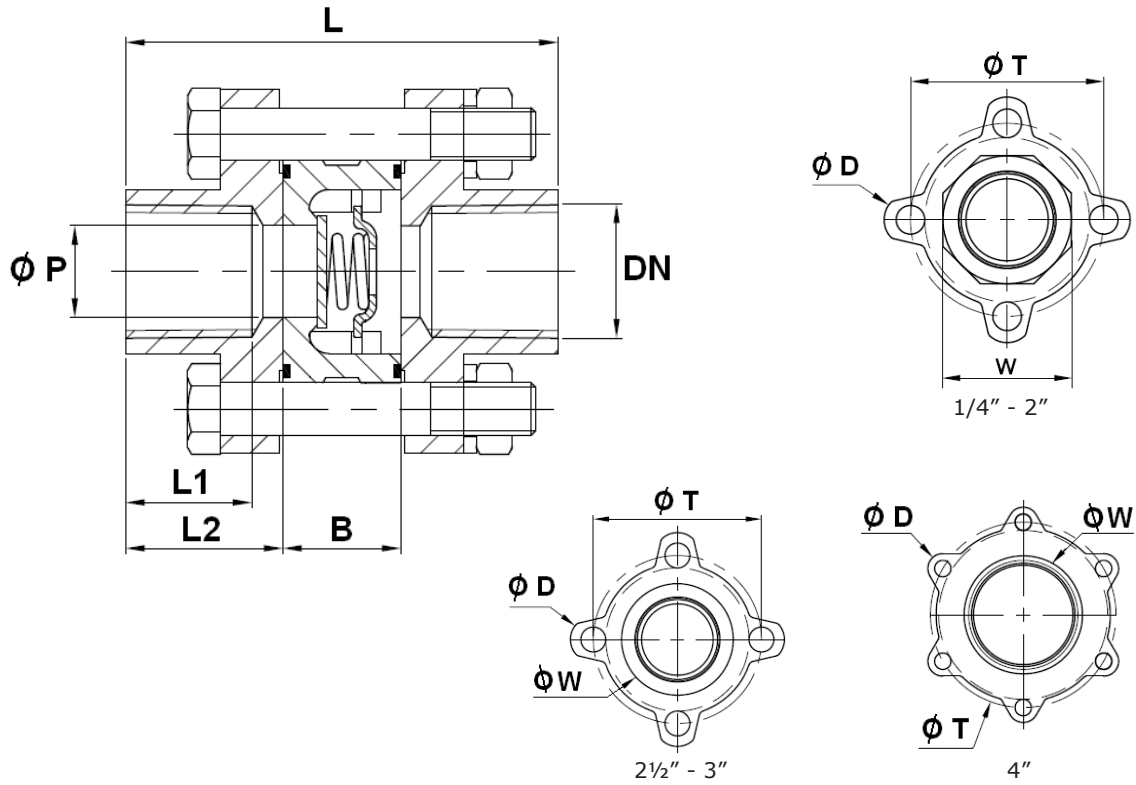
### DESCRIPTION

- **3-piece design** allows for easy inspection and replacement of middle part.
- **The spring activated disc** enables installation in all directions.
- **Material certificate EN10204/3.1** is available because of the traceability on all check valves.

### SUITABLE FOR



## DIMENSIONS



DIM [INCH]	Ø P [MM]	L [MM]	L1 [MM]	L2 [MM]	B [MM]	Ø D [MM]	Ø T [MM]	W [MM]	WEIGHT [KG]
1/4"	10.0	60.0	16.0	21.0	18.0	12.0	36.5	22.0	0.3
3/8"	10.0	60.0	16.0	21.0	18.0	12.0	36.5	22.0	0.2
1/2"	14.0	63.0	18.0	22.0	19.0	14.0	42.7	26.0	0.4
3/4"	19.0	71.0	20.0	23.5	24.0	16.0	51.7	32.0	0.5
1"	25.0	81.5	20.0	26.0	29.5	16.0	58.7	39.0	0.7
1 1/4"	31.0	91.0	23.0	29.0	33.0	18.0	72.7	49.0	1.3
1 1/2"	39.0	97.5	23.0	30.0	37.5	18.0	83.7	56.0	1.7
2"	49.0	117.0	27.0	35.0	47.0	18.0	98.7	69.0	2.5
2 1/2"	64.0	131.5	33.0	42.0	47.5	18.0	129.0	83.0	4.3
3"	78.0	143.5	35.0	44.0	55.5	18.0	153.5	100.0	6.2
4"	97.0	174.5	45.0	52.0	70.5	18.0	186.5	122.5	11.0

## VALVE DATA

DN	Opening pressure [mbar]			Kv [m <sup>3</sup> /h]
	▲	▼	→	
DN 8	▲ 25	▼ 21	→ 23	1.23
DN 10	▲ 25	▼ 21	→ 23	1.23
DN 15	▲ 25	▼ 21	→ 23	2.24
DN 20	▲ 25	▼ 21	→ 23	6.50
DN 25	▲ 25	▼ 21	→ 23	9.61
DN 32	▲ 27	▼ 21	→ 24	15.89
DN 40	▲ 29	▼ 21	→ 25	22.49
DN 50	▲ 29	▼ 21	→ 25	25.12
DN 65	▲ 25	▼ 21	→ 23	57.80
DN 80	▲ 32	▼ 21	→ 26	64.83
DN 100	▲ 33	▼ 21	→ 27	91.60

## PRESSURE / TEMPERATURE

