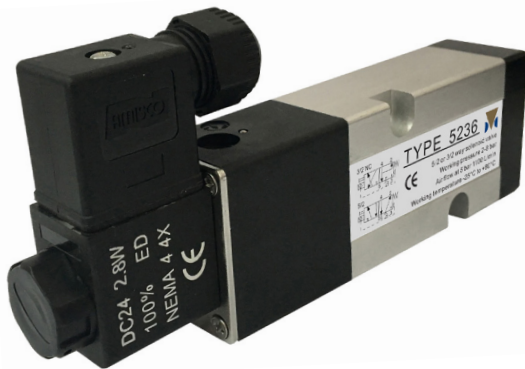


# SOLENOID VALVE NAMUR (3/2 AND 5/2-WAY)

## TYPE 5236-IP66



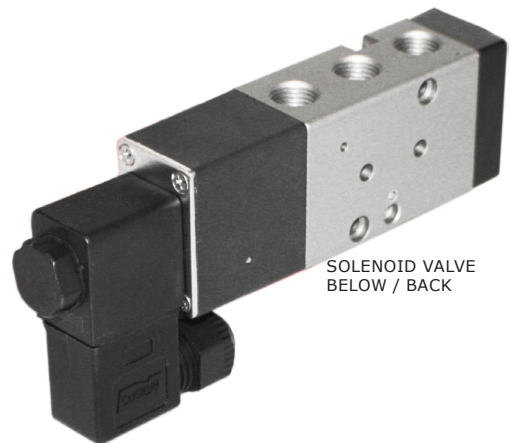
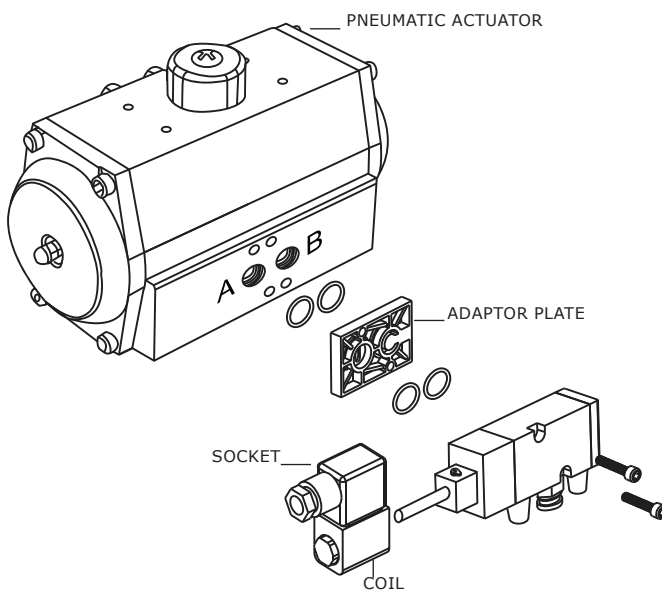
### GENERAL

CONSTRUCTION:	3/2 OR 5/2 - WAY (VIA ADAPTOR PLATE)
LUFT FLOW:	1100 L/MIN AT 5 BAR Kv = 0.95 m <sup>3</sup> /h
AIR PRESSURE:	2 TO 8 BAR
COILS:	24V DC, 24V AC, 230V AC
POWER CONSUMPTION:	4W
AMBIENT TEMPERATURE:	-25°C TO 80°C
CONNECTIONS:	NAMUR 1/4" INLET/OUTLET
MEDIA:	AIR OR INERT GAS
AIR QUALITY:	DIN/ISO 8573-1 CLASS3
WIRE CONNECTION:	DIN 46244
PROTECTION CLASS:	IP66
SURFACE:	HARD ANODIZED ALUMINUM - 20µm
APPROVALS:	SIL3

### OPTIONS

COIL:	110V AC, 120V AC
CONSTRUCTION:	DOUBLE COIL (BI-STABLE)
CONNECTION:	1/2" INLET/OUTLET

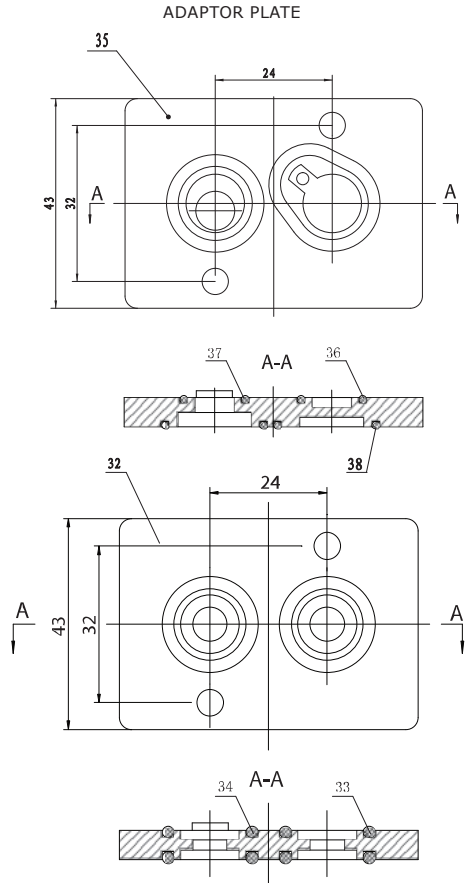
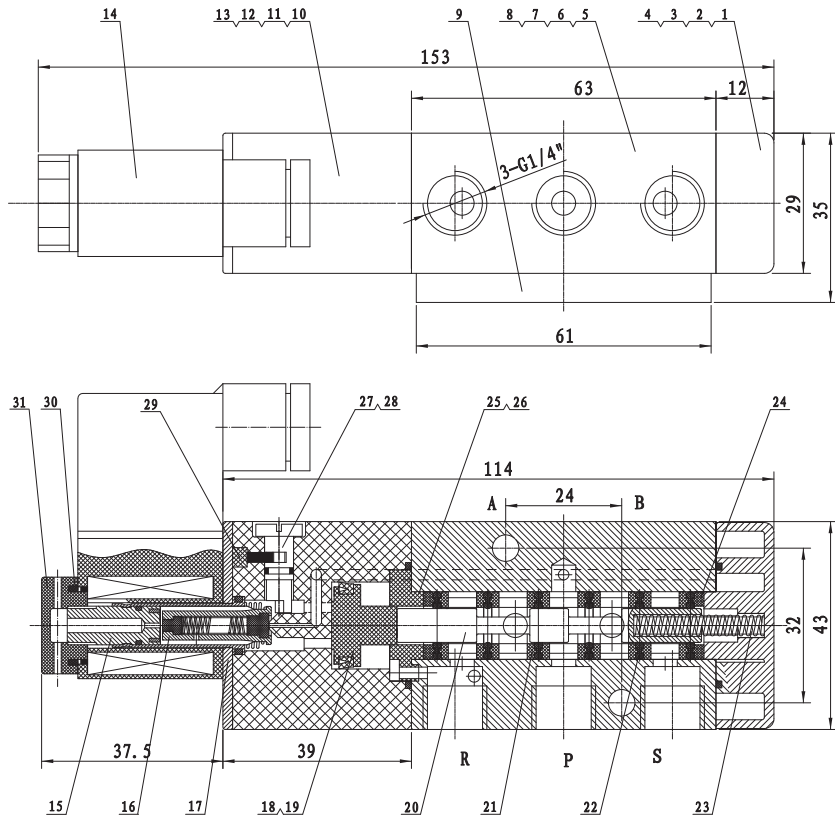
### MOUNTING



### DESCRIPTION

- **Robust industrial 5/2 or 3/2 way solenoid valve.** Available in IP66 protection class.
- **Low power consumption** and long service life.
- **NAMUR** standard for direct mounting on actuators.
- **Surface is hard anodized aluminum** as protection against corrosion (20µm).
- **Low temperature construction.** Can operate down to -25°C.
- **100% quality control.** Each solenoid valve is functional tested and pressure tested.
- **Manual operation** for use in test or when lack of supply voltage.
- **The spring affected piston** ensures that the solenoid valve returns to its starting point at power failure.
- **3/2 or 5/2-ways function** depends on which adaptor plate that is mounted between the actuator and the solenoid valve.

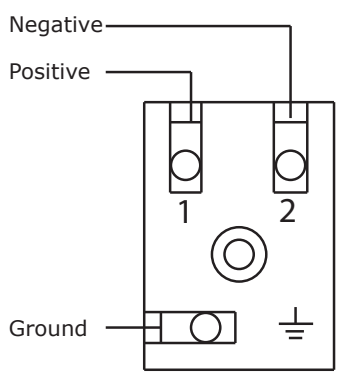
## DIMENSIONS AND MATERIALS



POS	DESCRIPTION	MATERIAL
1	SPRING END-CAP	Zn A14-1
2	HOLE O-RING	NBR
3	M3X12 BOLT	AISI 304
4	WASHER	AISI 304
5	BODY	ALUMINUM (6063)
6	SMALL BALL	AISI 304
7	DUSTPROOF COVER	POLYETHYLENE
8	DUSTPROOF CAP	POLYETHYLENE
9	M3X35 BOLT	AISI 304
10	PISTON END-CAP	PBT+15% GLASS FIBER
11	SMALL BALL	AISI 304
12	M3X12 BOLT	AISI 304
13	PIN	AISI 304
14	STANDARD COIL	VARIOUS MATERIALS
15	FIXED MAGNETIC CORE	STAINLESS STEEL
16	MOVING MAGNETIC CORE	STAINLESS STEEL
17	COVER PLATE	AISI 304
18	PISTON O-RING	NBR
19	PISTON	REINFORCED NYLON
20	SPOOL	ALUMINUM (6063)

POS	DESCRIPTION	MATERIAL
21	DISTANCE RING	PBT
22	SPOOL O-RING	NBR
23	RETURN SPRING	STAINLESS STEEL
24	O-RING COVER	POM
25	O-RING	NBR
26	PISTON COVER	POM
27	HANDLE O-RING	NBR
28	OVERRIDE HANDLE	H62
29	PLUG	NBR
30	2.4X10.8 O-RING	NBR
31	NUT	30% GLASS FIBER REINFORCED NYLON
32	5/2 NAMUR PLATES	30% GLASS FIBER REINFORCED NYLON
33	Ø2.4X15 O-RING	NBR
34	ADAPTOR O-RING	NBR
35	3/2 NAMUR PLATES	30% GLASS-FILLED PA
36	SPECIAL O-RING	NBR
37	1.6X10.8 O-RING	NBR
38	2.4X17.2 O-RING	NBR

## WIRING DIAGRAM



**NOTE:**  
The wiring diagram is the same for DC as well as AC.

## FUNCTION DIAGRAMS

