

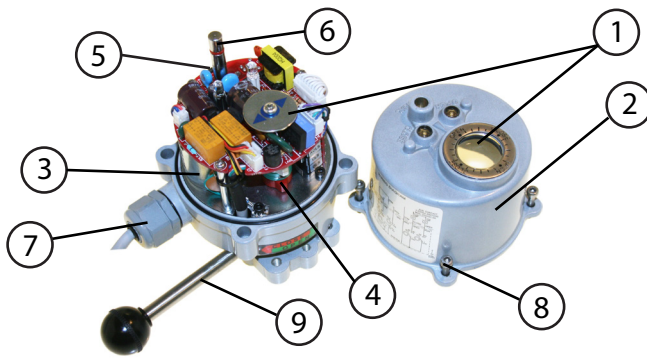
ELEKTRICAL ACTUATOR

TYPE 5630-004



GENEREL

MATERIAL:	ALUMINUM BODY, POLYESTER COATED.
POWER SUPPLY:	MULTI 85-265V(50/60HZ AC)/ 24V DC
PROTECTION CLASS:	IP67
TEMPERATURE:	-20°C / +80°C
ROTATION ANGLE:	90° +/- 5°
TORQUE:	40Nm
CABLE LENGHT:	1200MM
DUTY RANGE:	S2 70%
MOUNTING FLANGE:	ISO 5211 - F03, F04 OG F05
SWITCH TYPE:	4PCS. MECHANICAL (SPDT) THERMOSTATIC HEAT
ELEMENT:	0,5W
CABLE ENTRIES:	PG 11 X 1
POSITON INDICATION:	LED, RED - GREEN VISUEL POSITION INDICATION EMERGENCY HANDLE

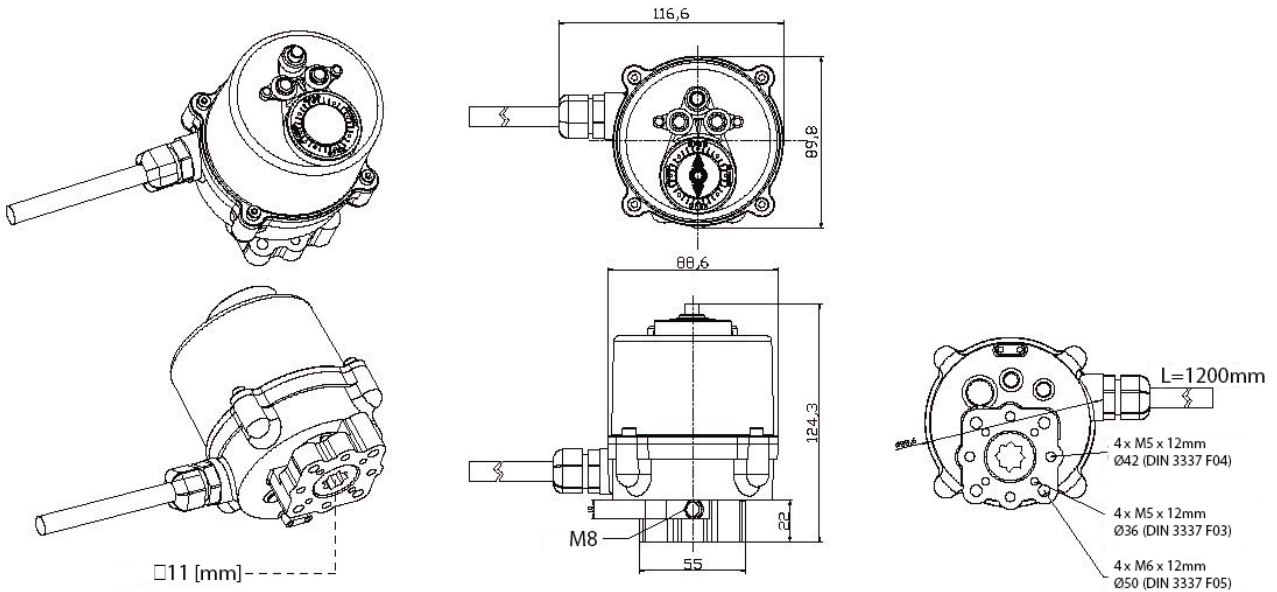


POS	DESCRIPTION	MATERIALS
1	POSITION INDICATOR	POLYCARBONATE / AISI304
2	CASING	POLYESTERCOATED ALUMINUM
3	MOTOR	ELECTRICAL PART
4	POSITION / SWITCH	SPDT / ABS PLAST
5	HEAT ELEMENT	ELECTRICAL PART
6	MANUEL BUTTON	STEEL (S45C)
7	CABLE ENTRY	ABS PLAST
8	BOLTS	AISI304
9	EMERGENCY HANDLE	AISI304 / ABS PLAST

DESCRIPTION

- **Rugged and compact design**, ideal for smaller valves up to 40Nm.
- **Metal gearbox** insures long life time.
- **Double square connection** provides greater flexibility in regards to mounting.
- **Thermostatic heater** prevents condensation inside the casing.
- **Very simple installation** due to ISO 5211 mounting flange. F03-F04-F05.
- **Casing in anodized aluminum** polyester coated on the outside in grey colour.
- **Good visual indication** of open and closed valve. In addition, LED lights for open / close.
- **Manual operation** via push button and handle.
- **MULTI voltage** can be supplied optional with 85-265VAC or 24VDC.

DIMENSIONS 004



ACTUATOR DATA

SIZE	TORQUE [NM]	OPERATION TIME 90° [SEK]	ISO 5211 **	POWER CONSUMPTION 50/60HZ [A]			DUTY RANGE ON/OFF [S2]	SWITCH	WEIGHT [KG]
				110V AC	230V AC	24V DC			
004	40	12	F03/F04/F05	0,12	0,06	0,5	70%	250V MAX 5A	1,2

** F04 (45° offset)

WIRING DIAGRAM

