

# ELECTRICAL ACTUATOR

## TYPE 5630-006

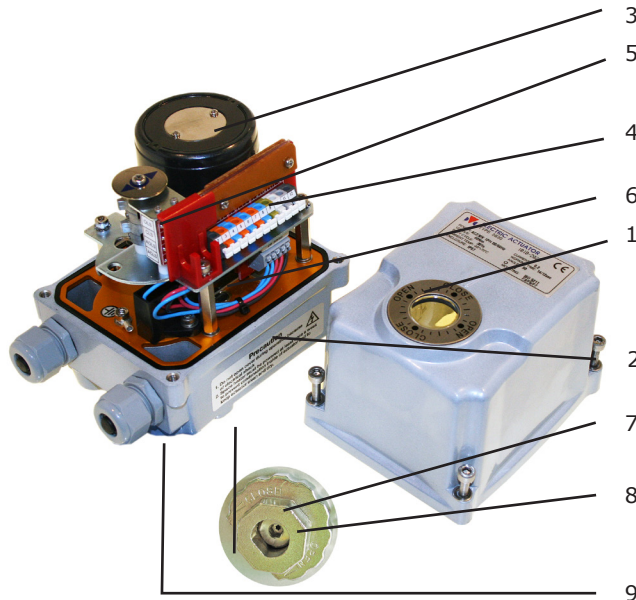


### GENERAL

MATERIAL:	ALUMINIUM, POLYESTER POWDER COATED.
POWER SUPPLY:	230V/50/60HZ AC; 24V AC/DC
ENCLOSURE:	IP67
TEMPERATURE:	-20° C / +70° C
TRAVEL ANGLE:	90°
TORQUE:	60 Nm
DUTY RANGE:	S2 30 MIN
ISO FLANGE:	ISO 5211
DUTY RANGE:	S2 30 MIN
LIMIT SWITCH:	4 SPDT
SPACE HEATER:	2W
CABLE ENTRIES:	PG 13,5, MANUEL HANDWHEEL VISIBLE POSITION INDICATOR

### OPTION

POSITIONER:	POWERSUPPLY: 230V/50HZ AC; 24V AC/DC INPUTSIGNAL: 4 - 20mA; 0 - 10 VDC FEEDBACK: 4 - 20mA; 0 - 10 VDC
POTENTIOMETER:	1 KΩ - 10 KΩ
CLASS:	IP68
DUTY RANGE:	S4 70% MAX. 300-1600 START/TIMER (INTERMITTENT OPERATION)
DESIGN:	ATEX



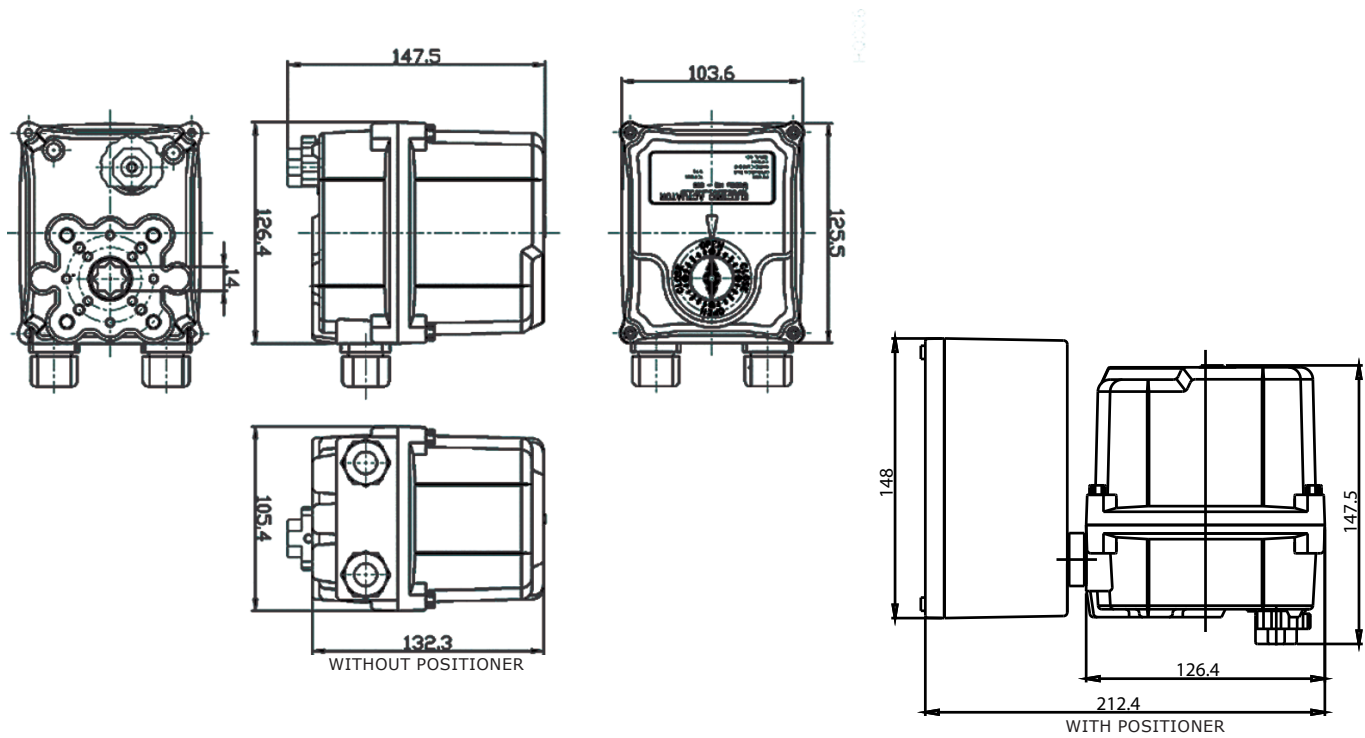
POS	DESCRIPTION	MATERIALS
1	POSITION INDICATOR	GLASS / ALUMINIUM
2	BODY	POLYESTERCOATED ALUMINIUM
3	MOTOR	ELECTRICAL PART
4	TERMINAL BLOCK	POLYAMID
5	LIMIT SWITCH / CAM	SPDT / POLYCARBONAT
6	SPACE HEATER	CERAMIC
7	HAND WHEEL	STEEL NICKEL PLATED *
8	MANUAL OVERRIDE	STEEL NICKEL PLATED
9	ISO MOUNTING PLATE	POLYESTERCOATED ALUMINIUM

\* Only operate when actuator is deenergized

### DESCRIPTION

- **Rugged and compact design**, ideal for smaller valves up to 60Nm.
- **Metal gearbox** insures long life time.
- **Double square connection** provides greater flexibility in regards to mounting.
- **Heater** prevents condensation inside the casing.
- **Very simple installation** due to ISO 5211 mounting flange. F03-F05-F07.
- **Casing in anodized aluminum** polyester coated on the outside in grey colour.
- **Good visual indication** of open and closed valve.
- **Manual operation** via buttom hand wheel.
- **Power supply** can be delivered as 24DC, 24AC, 230VAC. Also available with positioner control.

## DIMENSIONS 006



## ACTUATOR DATA

MODEL	TORQUE [Nm]	OPERATION TIME 90° [SEC]	ISO 5211	POWER CONSUMPTION 50/60Hz [A]		DUTY CYCLE		WEIGHT [KG]
				230V AC	24V AC/DC	ON/OFF [S2]	MODULATING [S4]	
006	60	14	F03/F05/F07	0,20	0,80	30 min.	-	3,0
006 - PCU	60	Modulating	F03/F05/F07	0,20	0,80	-	70%	4,0

## SPECIAL DATA FOR POSITIONER MODEL (006-PCU)

<b>INPUT SIGNAL</b>	4~20mA DC; 1~5V DC; 2~10V DC; 0~20mA DC; 0~5V DC; 0~10V DC	
<b>OUTPUT SIGNAL</b>	4~20mA DC; 1~5V DC; 2~10V DC	
<b>DEADBAND</b>	0.4~7.5 % (0~16 Step)	
	Step 0 ~ 4	0.4 ~ 0.8% (0.1% Step)
	Step 5 ~ 9	1.0 ~ 1.8% (0.2% Step)
	Step 10 ~ 15	5.0 ~ 7.5% (0.5% Step)
<b>DEADTIME</b>	0.2~7.5 sec (0~16Step)	
	Step 0	0.2 sec
	Step 1 ~ 4	0.25 ~ 1sec (0.25sec Step)
	Step 5 ~ 15	2.5 ~ 7.5sec (0.5sec Step)
<b>FAULT MODE</b>	FAIL CLOSE, FAIL OPEN, FAIL STOP	
<b>REGULATION ACCURACY</b>	±0.5~5% (Depends on settings and slug)	
<b>AMBIENT HUMIDITY</b>	90% RH MAX.	
<b>VIBRATION &amp; SHOCK</b>	X, Y, Z 10g (6g RMF), Frequency: 0.2~34Hz	

