

DESCRIPTION

Solenoid valve 3 way direct acting poppet type.
 The balanced seal and the special construction allows a big flow.
 The solenoid valve can be used as normally closed, normally open, mixing or diverting.
 On request with position detector (with led).

CONSTRUCTION

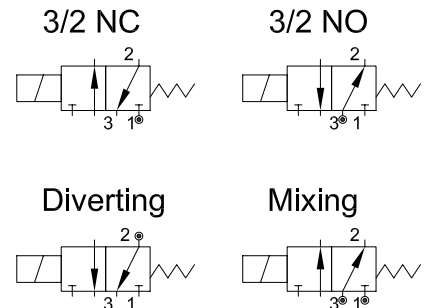
Body	Anodized aluminium (series 320,321,322)
	AISI 303 (series 323,324,325)
Armature tube	AISI 303
Plunger and core	AISI 430FR
Springs	AISI 302
Seal material	FPM



3

FEATURES

Maximum allowable pressure PS 50bar
 Maximum fluid viscosity 25cSt (mm²/s)
 Ambient temperature: from -10°C to +80°C according to the coil
 Universal mounting position



OPTIONS

Position detector with 2 mt prewired connection cable 2-wires (*option /P2*)
 Position detector with 2 mt prewired connection cable 3-wires (*option /P3*)
 Position detector with 3-pin M8 connector to be wired (*option /PC*)

CODE ① ②	Connection G ISO 228	Orifice mm		Kv m ³ /h	Differential pressure bar			Nominal power			Coil		Seal ①	Temp. range °C		
		1→2	2→3		Min	Max AC DC		AC Inrush	VA Holding	DC Watt	Series	Width				
ANODIZED ALUMINIUM BODY																
Universal																
E320BV75///...	G1/4"	7.5	7.5	0.64	0	5	5	40	30	27	5	36	FPM=V	-10 +140		
NC Normally closed																
E321BV75///...	G1/4"	7.5	7.5	0.64	0	9	9	40	30	27	5	36				
NO Normally open																
E322BV75///...	G1/4"	7.5	7.5	0.64	0	9	9	40	30	27	5	36				

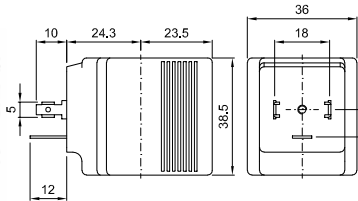
STAINLESS STEEL BODY																
Universal																
E323BV75///...	G1/4"	7.5	7.5	0.64	0	5	5	40	30	27	5	36	FPM=V	-10 +140		
NC Normally closed																
E324BV75///...	G1/4"	7.5	7.5	0.64	0	9	9	40	30	27	5	36				
NO Normally open																
E325BV75///...	G1/4"	7.5	7.5	0.64	0	9	9	40	30	27	5	36				

① Seal
 ② Coil
 Example: E320BV75///521 Universal, FPM seal, coil 24V DC
 E320BV75/P2/521 Universal, FPM seal, coil 24V DC,
 with position detector 2-wires prewired

COILS ②	Alternating Current 50/60Hz (V)							Direct Current (V)			Electrical conn.	Connectors
	12	24	48	110	220 230	240	380	12	24	48		
Series 5 Width 36	52A	52B	52C	52D	52E	52F	52G	520	521	522	DIN 43650A	PG11 code 10349001

POSITION DETECTOR DESCRIPTION

Inlet 10÷30V max
 Curr. consumption max 10mA
 Output signal PNP
 Output contact NO
 Pre-wired 2 poles PVC cable, L=2mt (code 15148000)
 Pre-wired 3 poles PVC cable, L=2mt (code 15147000)
 3 pin M8 connector to be wired (code 15103000)
 Yellow led indicator
 IP protection class IP67
 Ambient temp. -25°C÷+70°C
 CE cURus omologations
 (for further details see section 8)



Series 5 Weight 0.2Kg

COIL DESCRIPTION

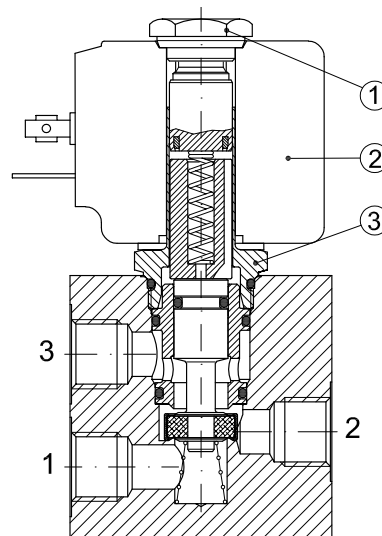
Class H insulation
 Voltage tolerance
 AC +15%-10% DC ± 10%
 IP65 with connector fitted
 IP00 without connector

OPTIONS

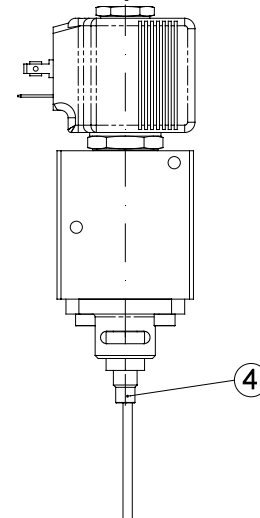
Cable attached
 Special voltage and powers

SPARE PARTS LIST

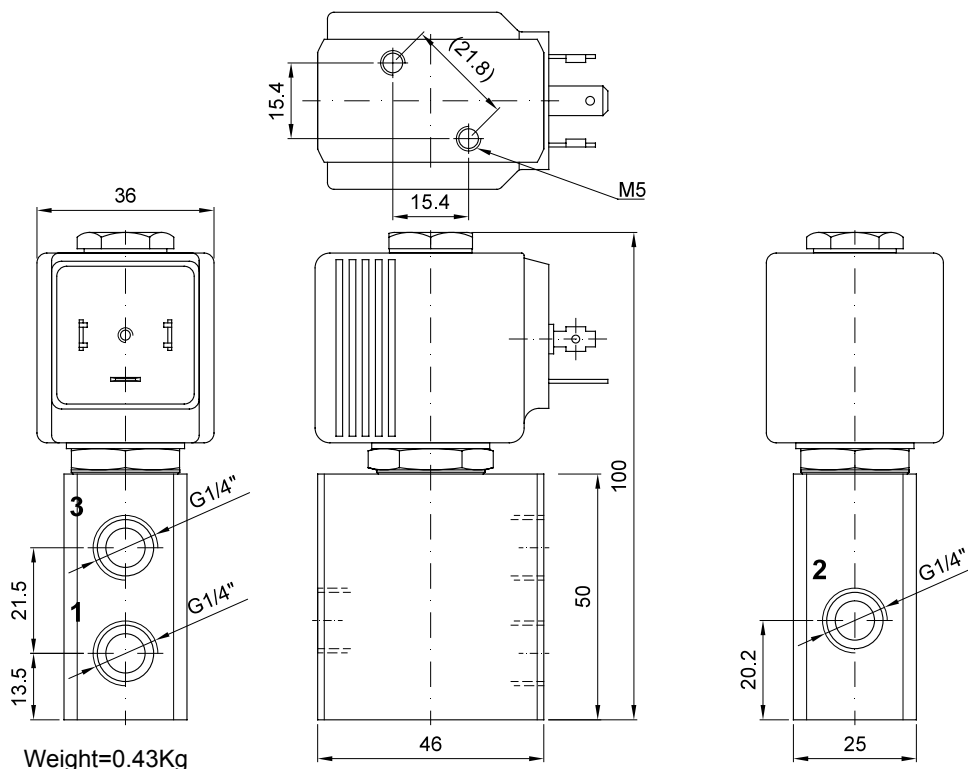
1. Coil fixing nut
2. Coil
3. Armature tube assembly
4. Position sensor



Version with position detector



OVERALL DIMENSION



Version with position detector

