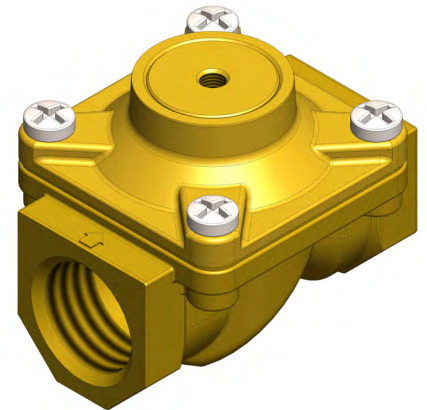


**DESCRIPTION**

Valve 2 way normally closed with servo-assisted diaphragm remotely piloted.

Valve is piloted by a 2way solenoid valve connected to the cover connection (see image).

*NOTE: when opened, the pilot solenoid valve, will discharge the same media that flow into the valve.*



**CONSTRUCTION**

Body and cover Brass  
 Seal material NBR - FPM - EPDM

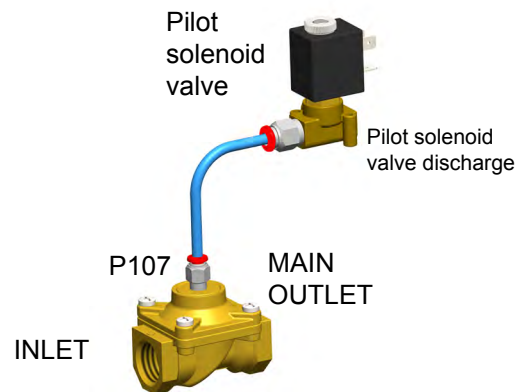
**FEATURES**

Minimum differential pressure 0.15 bar  
 Maximum allowable pressure PS 25bar<sup>②</sup>  
 Maximum fluid viscosity 25cSt (mm<sup>2</sup>/s)  
 Universal mounting position

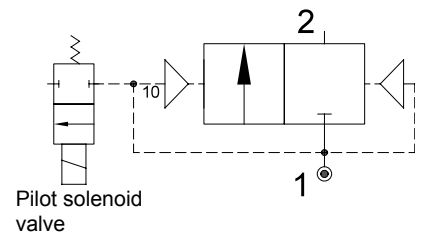
**OPTIONS:** Electroless nickel plating  
 Versions with slow-closing diaphragm  
 Versions for vacuum application (air/gases)  
 Versions for use with oxygen

**REMARK**

To pilot the valve use a series 105 solenoid valve (Es.105AB15)



**4**



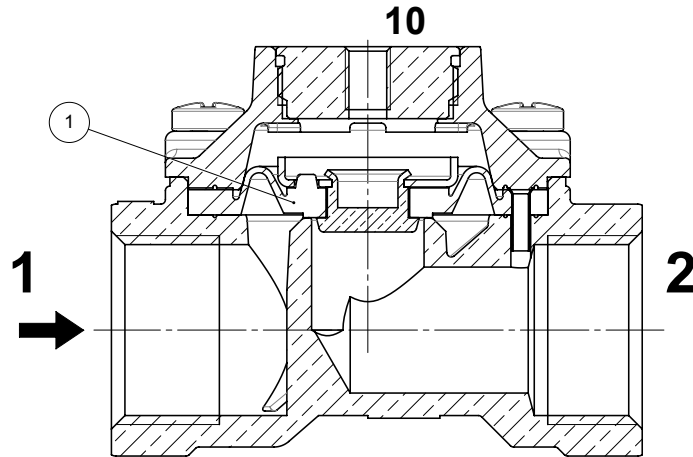
CODE ①	Connection G ISO 228	Orifice mm	Kv m <sup>3</sup> /h	Max differential pressure bar		Seal ①	Temperature °C
				Min	Max		
P107C...12	3/8	12	2.2	0.15	15	NBR=B EPDM=E FPM=V	-10 +90 -10 +140 -10 +140
P107D...12	1/2	12	2.5	0.15	15		
P107E...18	3/4	18	5.5	0.15	13		
P107F...25	1	25	10.2	0.15	10		

① Seal Example: P107DB12 NBR seal , G1/2

② **REMARK**  
 The maximum allowable pressure PS for steam 2,5bar (gauge pressure)

**SPARE PARTS LIST**

1. Diaphragm assembly



**OVERALL DIMENSIONS**

CONNECTION (e)	a	b	c	d	Weight Kg
G3/8	59	31.5	14	45	0.35
G1/2	59	31.5	14	45	0.35
G3/4	79	38.9	17.5	54	0.6
G1	96	45.2	20	72	1.05

