

BUTTERFLY VALVE TYPE WAFER

TYPE E6730-TFM



GENERAL

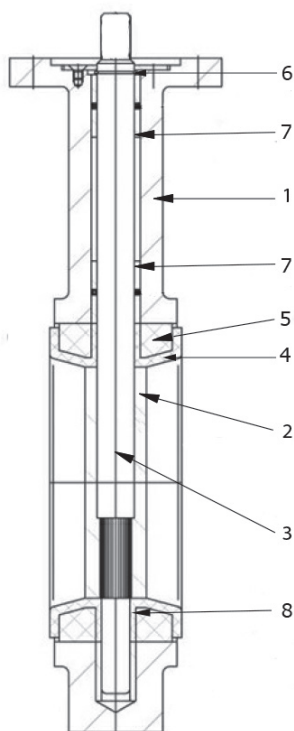
DIMENSION/PRESSURE:	DN50 - DN150 = PN16 DN200 - DN300 = PN10
SURFACE:	POLYESTER POWDER COATING MIN. 200 µm, RAL 5015
FACE TO FACE:	EN558-1 SERIES 20
OPERATION:	FREE STEM
COUNTER FLANGES:	PN6/10/16/ANSI150
TOP FLANGE:	ISO 5211

OPTIONS

DIMENSION/PRESSURE:	DN40 = PN16
OPERATION:	HANDLE, GEAR, ACTUATOR (PNEUMATIC/ELECTRIC)
MODEL:	LUG TYPE E6830-TFM



MATERIALS

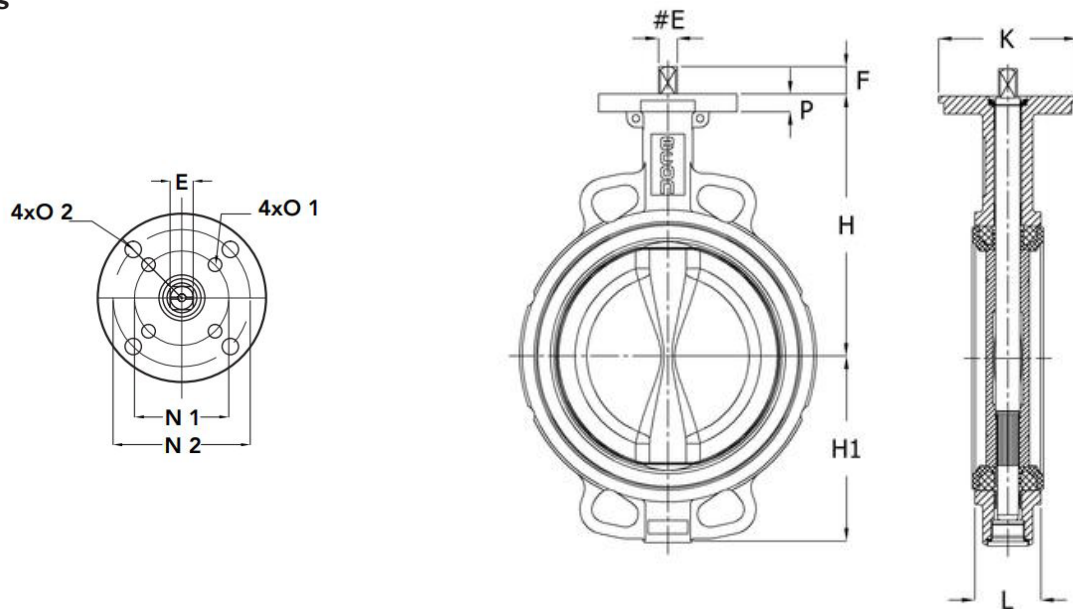


POS	DESCRIPTION	MATERIAL
1	BODY	DUCTILE IRON GJS-400-15
2	DISC	STAINLESS STEEL CF8M
3	STEM	STAINLESS STEEL AISI 431
4	LINER	PTFE (TFM 1600) LINED EPDM
5	BACK-UP RING	POLYESTER
6	ANTI-BLOW-OUT WASHER AND CIRCLIPS	PTFE COATED ASTM-A36
7	TOP STEM BEARING	STAINLESS STEEL AISI 304
8	BOTTOM STEM BEARING	BRASS

DESCRIPTION

- **High quality industrial butterfly valve.**
- **ISO 5211 top flanges** for direct mounting of actuator without the use of bracket or coupling.
- **The valve is chemically resistant and suitable for abrasive media.**
- **Self-centering solution** for multiple flange standards DIN PN6/10/16 and ANSI150.
- **Optional** with actuator, gear or handle.
- **Material certificate EN10204/3.1** is available.
- **Approvals: ATEX zone 1/21, FDA, EC1935.**

DIMENSIONS



DIM	DIMENSIONS									
	E [MM]	F [MM]	H [MM]	H1 [MM]	K [MM]	L [MM]	O [MM]	P [MM]	N [MM]	ISO
DN40	11	13,5	115	68	65	33.0	7	12	50	F05
DN50	11	13,5	143	72	65	43.0	7	12	50	F05
DN65	11	13,5	156	78	65	46.0	7	13	50	F05
DN80	11	13,5	162	95	65	46.0	7	13	50	F05
DN100	14	17,5	177	108	90	52.0	7/10	14	50/70	F05/F07
DN125	14	17,5	190	123	90	56.0	10	14	70	F07
DN150	17	18,5	205	138	90	56.0	10	14	70	F07
DN200	17	24,5	236	168	125	60.0	10/12	16	70/102	F07/F10
DN250	22	24,5	267	207	125	68.0	12/18	16	102/140	F10/F14
DN300	22	30,0	308	243	150	78.0	12/18	16	102/140	F10/F14

VALVE DATA

DIM [MM]	TORQUE [NM]	KVS-VALUE [M ³ /H]	WEIGHT [KG] FREE STEM
DN40	33.7	59	2.0
DN50	33.7	117	3.0
DN65	33.8	190	3.6
DN80	84.5	261	4.0
DN100	91.0	519	5.5
DN125	143.0	884	7.5
DN150	227.5	1366	8.6
DN200	266.5	2713	12.7
DN250	533.0	4619	22.2
DN300	897.0	7136	30.8

TORQUE FIGURES INCLUDE 30% SAFETY FACTOR

PRESSURE/TEMPERATURE

DIM	MAX. OPERATION PRESSURE [BAR]	LINER	TEMPERATURE [°C]
DN50 - DN150	16	TFM 1600	-10°C TO 110°C
DN200 - DN300	10		



Temperature/Pressure

Butterfly valves from Dansk Ventil Center A/S is delivered with different pressure levels and with different liner types. Always check the name plate to ensure correct operation. Pressure systems with flanges according to EN1092-1 has some limitations. Be careful not to exceed the allowable pressure/temperature limits, as this may cause damage to personal or equipment.

Our values for temperature is given to the best of our knowledge, and we advise that valves are tested for lifespan if installation is running near the given temperature limit. If in doubt, please consult us.