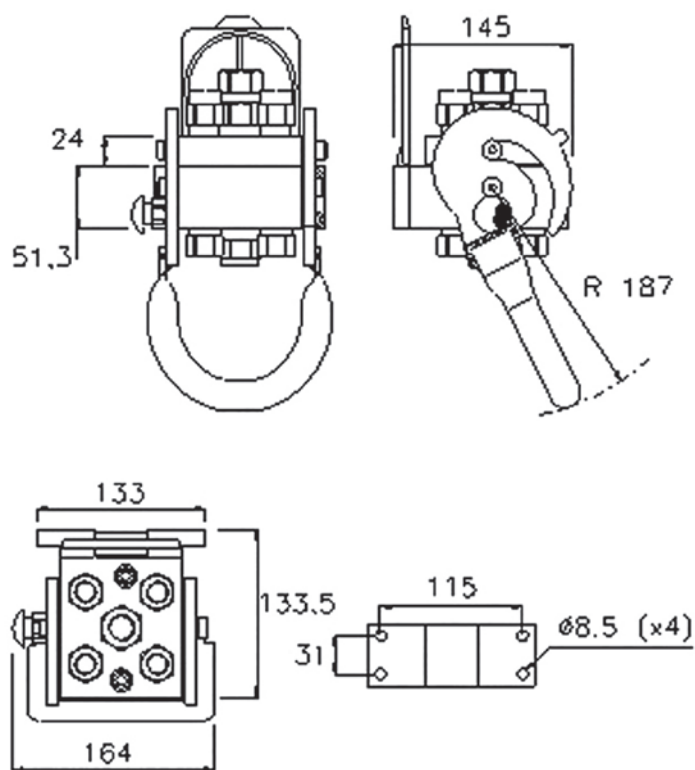




# MF P506-x

MultiFaster 5 lines (4 lines 06 and 1 line 08).  
The line 08 can be replaced by an electrical connector.

## Applications



## Technical Specifications

dash	Size		Working Pressure (MPa)	Flow Rate (l/min)	Spillage (ml)	Burst pressure (MPa)		
	mm	inch				Male	Female	Male + Female
06	10	3/8"	25	40	0.008	100	100	100
08	12.5	1/2"	25	70	0.01	100	100	100

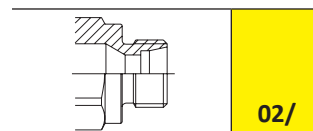
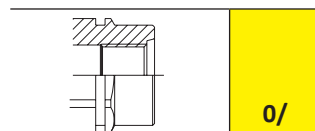
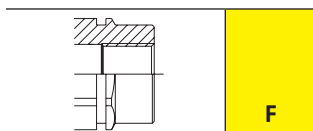
Material	Aluminium; Steel
Seals	NBR; PUR
Working temperatures	- 25 °C to + 100 °C
Surface treatment	MATE 500 (CrIII); Paint

Valve Type	Flat
Connection	Lever
Disconnection	Lever
Connection Under Pressure	Allowed Residual



# P506-x

Size					Thread Type					FIXED
dash	mm	inch	Housing	Number of Couplings	Thread Type	Standard	Thread	Electrical N	Connector Type	Part Number
06	10	3/8"	5	4	F BSPP	ISO 1179-1	BSPP 3/8" FEMALE			2P506-A-4-38GFC
08	12.5	1/2"						1	7 PINS	
06	10	3/8"	5	4	F BSPP	ISO 1179-1	BSPP 3/8" FEMALE			2P506-1-4-38GFC
08	12.5	1/2"						1	3 PINS	
06	10	3/8"	5	4	F BSPP	ISO 1179-1	BSPP 3/8" FEMALE			2P506-0-5-S0 FC
08	12.5	1/2"			1	F BSPP	ISO 1179-1	BSPP 1/2" FEMALE		
06	10	3/8"	5	4	F BSPP	ISO 1179-1	BSPP 3/8" FEMALE			2P506-0-4-D F C
06	10	3/8"	4	4	O2/ METRIC	ISO 8434-1-L	M22x1.5 MALE 15L			2P506-A-4-2/2FC
08	12.5	1/2"						1	7 PINS	
06	10	3/8"	5	4	O2/ METRIC	ISO 8434-1-L	M22x1.5 MALE 15L			2P506-0-5-S4 FC
08	12.5	1/2"			1	O2/ METRIC	ISO 8434-1-L	M22x1.5 MALE 15L		
06	10	3/8"	5	4	F BSPP	ISO 1179-1	BSPP 1/2" FEMALE			2P506-1-4-12GFC
08	12.5	1/2"						1	3 PINS	
06	10	3/8"	5	4	O2/ METRIC	ISO 8434-1-L	M22x1.5 MALE 15L			2P506-1-4-2/2FC
08	12.5	1/2"						1	3 PINS	



# P506-x

Size					Thread Type					MOBILE
dash	mm	inch	Housing	Number of Couplings	Thread Type	Standard	Thread	Electrical N	Connector Type	Part Number
06	10	3/8"	5	4	F BSPP	ISO 1179-1	BSPP 3/8" FEMALE			3P506-A-4-38GMC
08	12.5	1/2"		1				1	7 PINS	
06	10	3/8"	5	4	F BSPP	ISO 1179-1	BSPP 3/8" FEMALE			2P506-A-4-38GMC
08	12.5	1/2"						1	7 PINS	
06	10	3/8"	5	4	F BSPP	ISO 1179-1	BSPP 3/8" FEMALE			2P506-1-4-38GMC
08	12.5	1/2"						1	3 PINS	
06	10	3/8"	5	4	F BSPP	ISO 1179-1	BSPP 3/8" FEMALE			2P506-0-5-S0 MC
08	12.5	1/2"		1	F BSPP	ISO 1179-1	BSPP 1/2" FEMALE			
06	10	3/8"	5	3	O/ BSPP	BS 5380	3/8 BSP FEMALE ORB			2P506-0-5-A M C
06	10	3/8"		1	O2/ METRIC	ISO 8434-1-L	M22x1.5 MALE 15L			
08	12.5	1/2"		1	O2/ METRIC	ISO 8434-1-L	M22x1.5 MALE 15L			
06	10	3/8"	5	4	O2/ METRIC	ISO 8434-1-L	M22x1.5 MALE 15L			2P506-0-4-2/2MC
06	10	3/8"	5	4	O2/ METRIC	ISO 8434-1-L	M22x1.5 MALE 15L			2P506-A-4-2/2MC
08	12.5	1/2"						1	7 PINS	
06	10	3/8"	5	4	F BSPP	ISO 1179-1	BSPP 1/2" FEMALE			2P506-1-4-12GMC
08	12.5	1/2"						1	3 PINS	
06	10	3/8"	5	4	O2/ METRIC	ISO 8434-1-L	M22x1.5 MALE 15L			2P506-0-5-S4 MC
08	12.5	1/2"		1	O2/ METRIC	ISO 8434-1-L	M22x1.5 MALE 15L			
06	10	3/8"	5	4	O2/ METRIC	ISO 8434-1-L	M22x1.5 MALE 15L			2P506-1-4-2/2MC
08	12.5	1/2"						1	3 PINS	

## Spare Parts & Accessories

Female Half				Male Half					
Plates	Lever	Dust cover	Safety Lock	Plates	Seals male	Screws	Plugs	Guiding pins	Docking
KIT P506-1 F L	KIT LP506-1			KIT P506-1 M	SK MF 38		KIT TSP 38 M		S P5
					SK MF 12		KIT TSP 12 M		

