

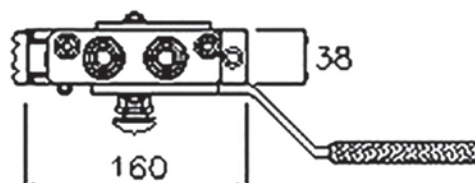
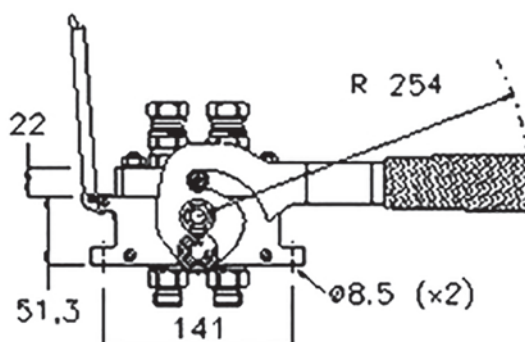


MF PB06

MultiFaster 2 lines, size 06.

MultiFaster suitable for 2 lines size 06. Very compact overall dimensions.

Applications



Technical Specifications

dash	Size		Working Pressure (MPa)	Flow Rate (l/min)	Spillage (ml)	Burst pressure (MPa)		
	mm	inch				Male	Female	Male + Female
06	10	3/8"	25	40	0.008	100	100	100

Material	Aluminium; Steel
Seals	NBR; PUR
Working temperatures	- 25 °C to + 100 °C
Surface treatment	MATE 500 (CrIII); Paint

Valve Type	Flat
Connection	Lever
Disconnection	Lever
Connection Under Pressure	Allowed Residual



PB06

Size					Thread Type					FIXED
dash	mm	inch	Housing	Number of Couplings	Thread Type	Standard	Thread	Electrical Connector N	Connector Type	Part Number
06	10	3/8"	2	2	02/ METRIC	ISO 8434-1-L	M22x1.5 MALE 15L			2PB06-2-2/22FC
06	10	3/8"	2	2	16/ BSPP	ISO 8434-6	60° 1/2 BSPP MALE			2PB06-2-16/DGFC
06	10	3/8"	2	2	16/ BSPP	ISO 8434-6	60° 3/8 BSPP MALE			2PB06-2-16/CGFC
06	10	3/8"	2	2	13/ SAE	ISO 8434-2	7/8"-14 UNF MALE JIC			2PB06-2-13/GSFC
06	10	3/8"	2	2	13/ SAE	ISO 8434-2	3/4"-16 UNF MALE JIC			2PB06-2-13/FSFC
06	10	3/8"	2	2	F BSPP	ISO 1179-1	BSPP 3/8" FEMALE			2PB06-2-38G FC
06	10	3/8"	2	2	F BSPP	ISO 1179-1	BSPP 1/2" FEMALE			2PB06-2-12G FC

Size					Thread Type					MOBILE
dash	mm	inch	Housing	Number of Couplings	Thread Type	Standard	Thread	Electrical Connector N	Connector Type	Part Number
06	10	3/8"	2	2	11/ SAE	ISO 8434-3	13/16"-16 UN MALE ORFS			3PB06-2-H M C
06	10	3/8"	2	2	20/ BSPP	BS 5200	1/2" BSPP FEMALE SWIVEL NUT			3PB06-2-20/DGMC
06	10	3/8"	2	2	02/ METRIC	ISO 8434-1-L	M22x1.5 MALE 15L			3PB06-2-2/22MC
06	10	3/8"	2	2	F NPTF	ANSI B1.20.3	NPTF 1/2" FEMALE			2PB06-2-12N MC
06	10	3/8"	2	2	F BSPP	ISO 1179-1	BSPP 1/2" FEMALE			3PB06-2-12G MC
06	10	3/8"	2	2	F BSPP	ISO 1179-1	BSPP 3/8" FEMALE			2PB06-2-38G MC
06	10	3/8"	2	2	F BSPP	ISO 1179-1	BSPP 1/2" FEMALE			2PB06-2-12G MC

Spare Parts & Accessories

Female Half				Male Half					
Plates	Lever	Dust cover	Safety Lock	Plates	Seals male	Screws	Plugs	Guiding pins	Docking
KIT PB06 F L	KIT LPB06	KIT TA PB06	KIT SP5 S	KIT PB06 M	SK MF 38	KIT VPB06	KIT TSP 12 M		S PB06

