

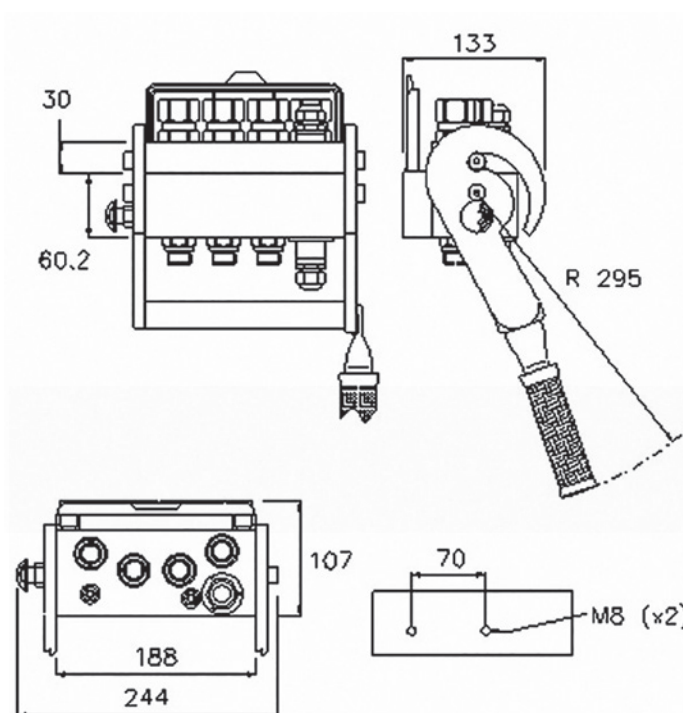


MF PS08

MultiFaster 5 lines, 4 lines size 08, 1 line with electrical connector.

MultiFaster suitable for 4+1 lines size 08. The additional line could be either an electrical connector or an hydraulic coupling.

Applications



Technical Specifications

dash	Size		Working Pressure (MPa)	Flow Rate (l/min)	Spillage (ml)	Burst pressure (MPa)		
	mm	inch				Male	Female	Male + Female
08	12.5	1/2"	25	70	0.01	100	100	100

Material	Aluminium; Steel
Seals	NBR; PUR
Working temperatures	- 25 °C to + 100 °C
Surface treatment	MATE 500 (CrIII); Paint

Valve Type	Flat
Connection	Lever
Disconnection	Lever
Connection Under Pressure	Allowed Residual



PS08

Size					Thread Type					FIXED
dash	mm	inch	Housing	Number of Couplings	Thread Type	Standard	Thread	Electrical Connector N	Connector Type	Part Number
08	12.5	1/2"	5	4	02/ METRIC	ISO 8434-1-L	M22x1.5 MALE 15L			2PS08-4-2/22F C
08	12.5	1/2"	5	4	02/ METRIC	ISO 8434-1-L	M22x1.5 MALE 15L			2PS08-1-4-2/2FC
08	12.5	1/2"						1	3 PINS	
08	12.5	1/2"	5	4	F BSPP	ISO 1179-1	BSPP 1/2" FEMALE			2PS08-1-4-12GFC
08	12.5	1/2"						1	3 PINS	

Size					Thread Type					MOBILE
dash	mm	inch	Housing	Number of Couplings	Thread Type	Standard	Thread	Electrical Connector N	Connector Type	Part Number
08	12.5	1/2"	5	4	02/ METRIC	ISO 8434-1-L	M22x1.5 MALE 15L			2PS08-4-2/22M C
08	12.5	1/2"	5	4	02/ METRIC	ISO 8434-1-L	M22x1.5 MALE 15L			2PS08-1-4-2/2MC
08	12.5	1/2"						1	3 PINS	
08	12.5	1/2"	5	4	F BSPP	ISO 1179-1	BSPP 1/2" FEMALE			2PS08-1-4-12GMC
08	12.5	1/2"						1	3 PINS	

Spare Parts & Accessories

Female Half				Male Half					
Plates	Lever	Dust cover	Safety Lock	Plates	Seals male	Screws	Plugs	Guiding pins	Docking
KIT PS08 F L		KIT TA P6	KIT SP5 S	KIT PS08 M	SK MF 12	KIT VP8	KIT TSP 38 M	KIT GP4	

