

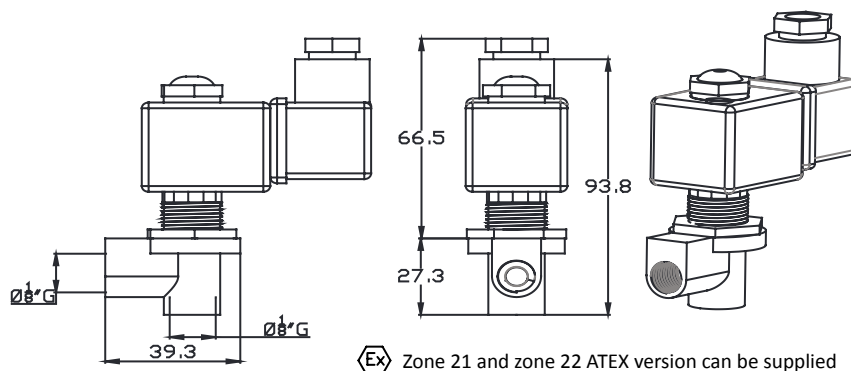
REMOTE PILOT FOR DIAPHRAGM VALVES-SR SERIES



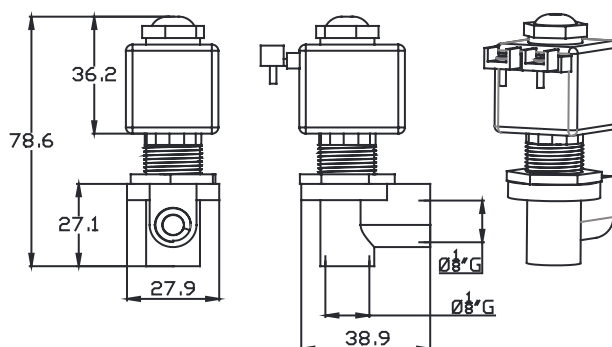
FEATURES

| | |
|------------------------|--------------------------------------------------------------|
| Fluids | Non-lubricated filtered air |
| Operating pressure | between 0.5 and 7.5 bar |
| Operating temperature | -20°C; +80°C |
| Body | Brass |
| Pilot core | Stainless steel |
| Coil insulation | Class H |
| Connector | PG9 / IP 65 |
| Standard voltage | 230 -110 - 24V/50-60 Hz (19 VA) 24VDC (15W) - 24VDC (12W) |
| Maximum Valve Distance | 3 Metres |

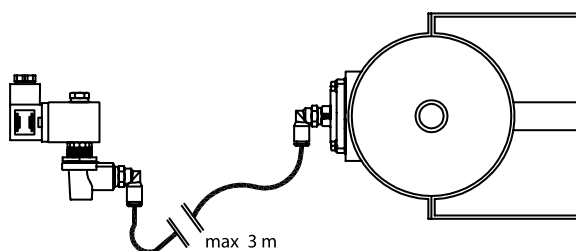
SRC - IP65



SRM - IP00

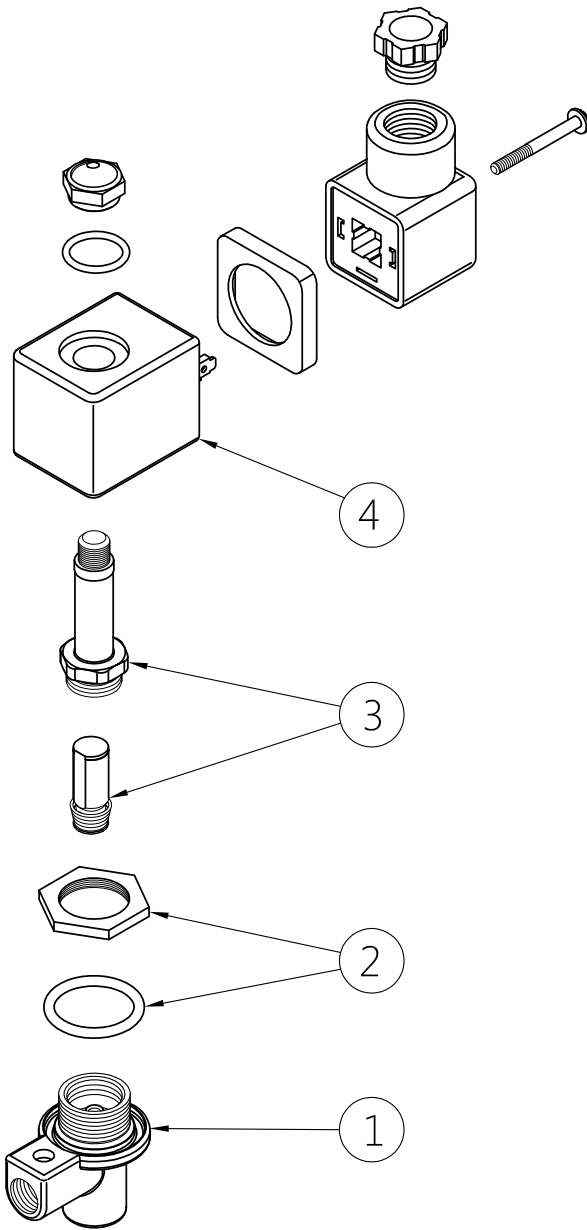


MOUNTING EXAMPLE



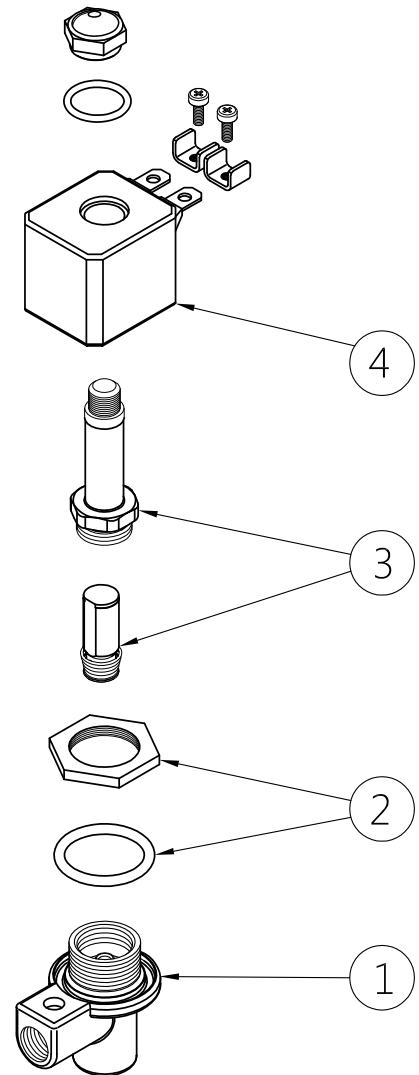
SRSERIES - REMOTE PILOT FOR DIAPHRAGM VALVES

SRC



| DESCRIPTION | SRC |
|----------------------------|-------------------|
| 1 Pilot body | PCRP |
| 2 Second lock nut + O-ring | 3121604 + 3301224 |
| 3 Pilot unit | 1331088 |
| 4 Coil + Connector | BH10 |

SRM



| DESCRIPTION | SRM |
|----------------------------|-------------------|
| 1 Pilot body | PCRP |
| 2 Second lock nut + O-ring | 3121604 + 3301224 |
| 3 Pilot unit | 1331088 |
| 4 Coil | BH10.../.. - A9 |