

Instrumentation Products

Needle Type Globe Valves and Accessories



Introduction

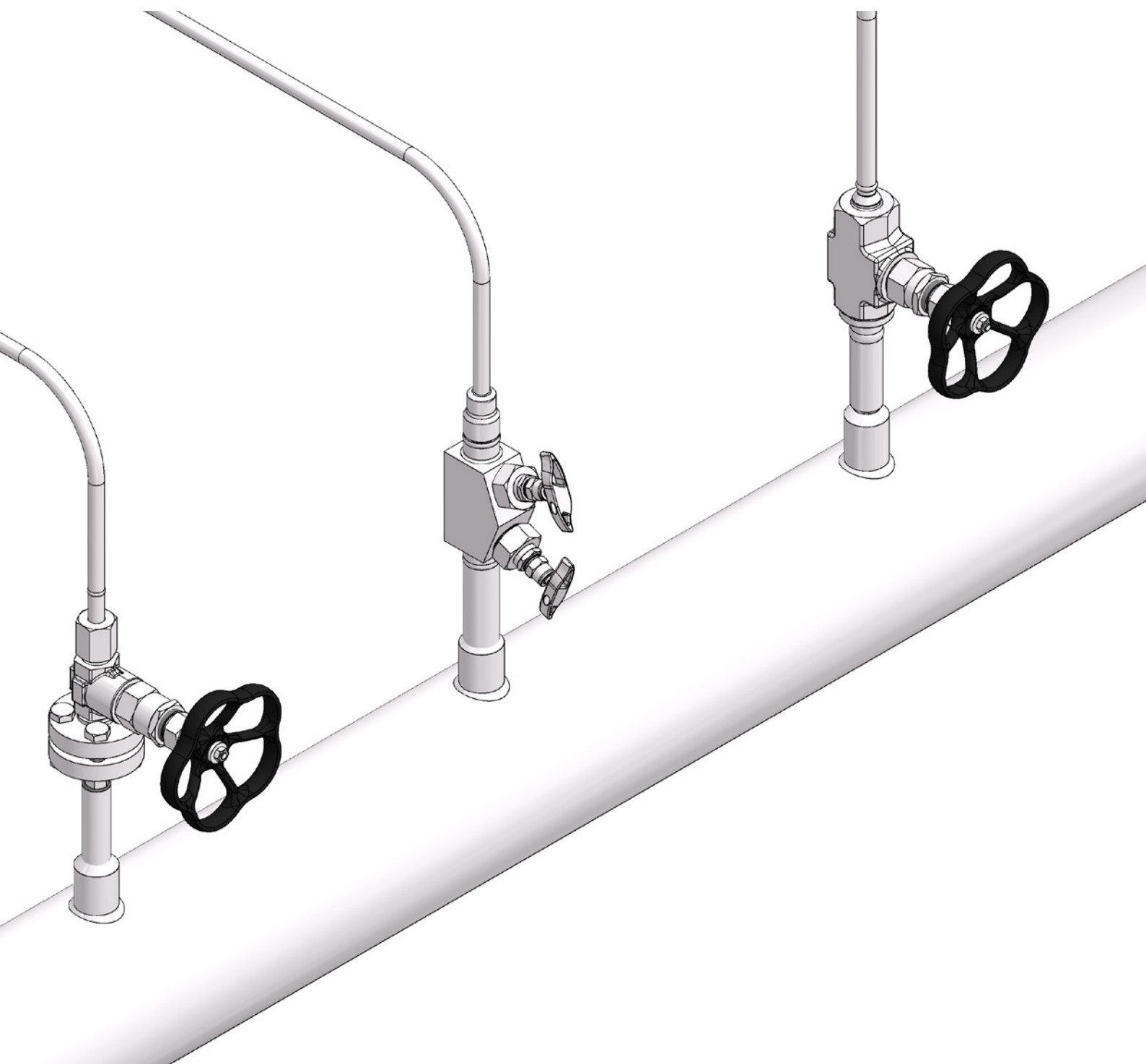
Introduction

The AS-Schneider Group with its headquarters in Germany is one of the World's Leading Manufacturers of Instrumentation Valves and Manifolds. AS-Schneider offers a large variety of Needle Type Globe Valves for General and Severe Service applications for liquids, gases and steam but also Accessories needed for the instrumentation installations globally.

Selection can be made from a comprehensive range of bodies with a variety of connections and material options, optimising installation and access opportunities. Many of the valves shown in this catalogue are available from stock or within a short period of time. The dimensions shown in this catalogue apply to standard types. If you need the dimensions for your individual type please contact the factory.

Continuous product development may from time to time necessitate changes in the details contained in this catalogue. AS-Schneider reserves the right to make such changes at their discretion and without prior notice.

All dimensions shown in this catalogue are approximate and subject to change.



Introduction	page 2
Contents	page 3
Needle Type Globe Valves Overview	page 4-5
General Features and Connections	page 6-7
Integral Bonnet Needle Valves	page 8
Needle Valves Type S338	page 9
Screwed Bonnet Needle Valves Type S350 / F350	page 10
Needle Valves Type S350	page 11
Screwed Bonnet Needle Valves Type A6A	page 12-14
Screwed Bonnet Needle Valves Type A6B	page 15-17
Angle Needle Valves Type S360	page 18
Y-Pattern Needle Valves Type S371	page 19
Union Bonnet Needle Valves Type A1	page 20
Union Bonnet Tandem Valves Type B1	page 21
Ordering Information A1 and B1, Needle Valves	page 22
Condensate Pots	page 23-24
Weld Fittings Tees, Reducers, Connectors	page 25
Threaded Pipe Ends acc. to DIN 19207	page 26
Notes	page 27

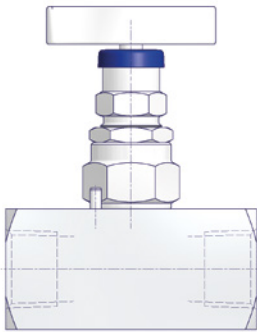
Needle Type Globe Valves Overview

Type H

E Series Needle Valves DN 5 / Bore Size 5 mm

- Barstock Body
- Screwed Bonnet
- Integral Valve Seat
- External Stem Thread

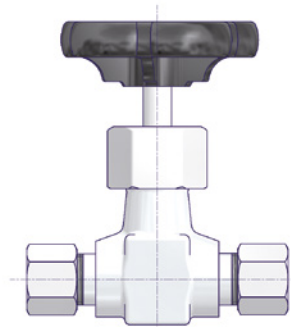
Detailed information see Catalogue AS-2601 – E Series Valves and Manifolds - Hand Valves.



Type S338

Integral Bonnet Needle Valves DN 6 / Bore Size 6 mm

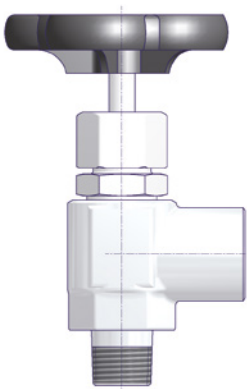
- Forged Body
- Integral Bonnet
- Integral Valve Seat
- Internal Stem Thread



Type S360

Angle Needle Valves DN 8 / Bore Size 8 mm

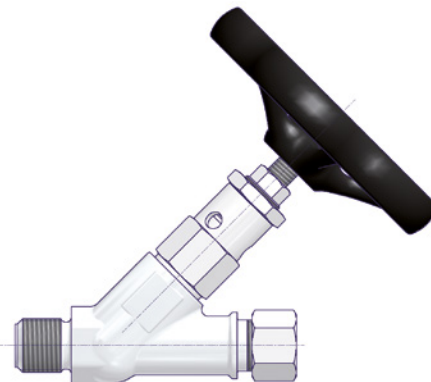
- Forged Body
- Screwed Bonnet
- Integral Valve Seat
- Internal Stem Thread



Type S371

Y-Pattern Needle Valves DN 8 / Bore Size 8 mm

- Forged Body
- Screwed Bonnet
- Integral Valve Seat
- External Stem Thread



Needle Type Globe Valves Overview

Type A6A

Primary Isolation Valves DN 8 / Bore Size 8 mm

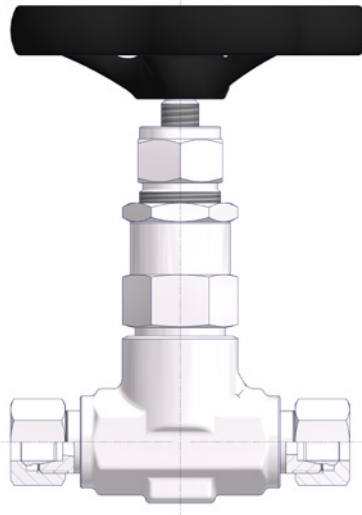
- Forged Body
- Screwed Bonnet
- Replaceable Valve Seat
- External Stem Thread



Type A6B

Needle Valves DN 8 / Bore Size 8 mm

- Forged Body
- Screwed Bonnet
- Replaceable Valve Seat
- External Stem Thread



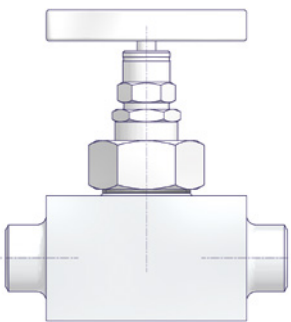
Type A1 / B1

Union Bonnet Needle Valves

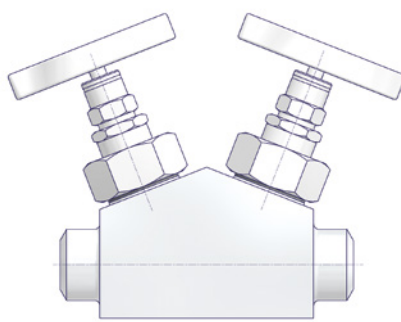
Type A1: DN 11 / Bore Size = 11 mm

Type B1: DN 8 / Bore Size = 8 mm

- Barstock Body
- Union Bonnet Design
- Integral Valve Seat
- External Stem Thread



Type A1



Type B1

General Features

Standard Features

Packing:

PTFE and Graphite Packings are available for all valve types.

Surface Treatment:

Carbon Steel Valves are phosphatized by default.

Pressure Test:

A shell test and a seat test are performed at 1.5 times the max. allowable (working) pressure acc. to EN 12266-1 - P10, P11 and P12 respectively MSS-SP61 at every standard AS-Schneider Needle Type Globe Valve.

Certification:

Inspection certificate 3.1 acc. to EN 10 204 for valve body material and pressure test available on request. The heat resisting materials (see table on Page 6) are available by default with inspection certificate 3.2!

Optional Features

Fugitive Emission Applications:

For Fugitive Emission Applications AS-Schneider is providing bellows sealed valves with safety packing. Choice of Pressure class PN 100 or PN 250 - Suffix P5 or P6.

The bellows are submitted to a 100% Helium leak test. Leak rate: 10^{-8} mbar l/s.

Optional available are TA-Luft and ISO 15848 solutions. For more details please contact the factory.

Oxygen Service:

AS-Schneider offers an option with Reinforced PTFE Packing cleaned and lubricated for Oxygen Service – Suffix F5:

Pressure-Temperature Rating:

Max. 420 bar @ 60°C

Max. 200°C @ 90 bar

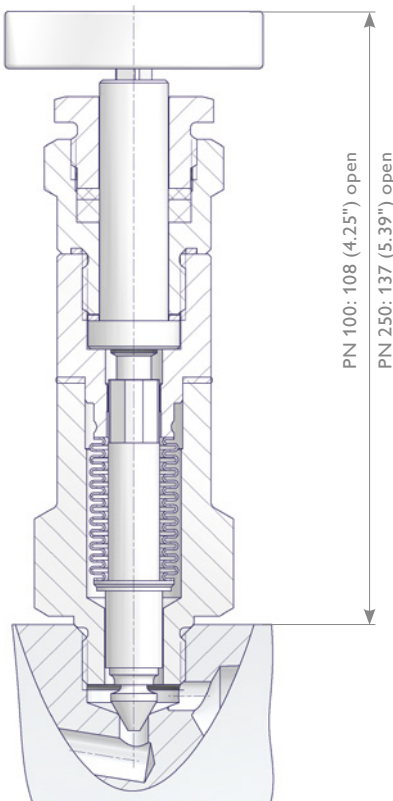
Not every Valve type is available for Oxygen Service.

If you don't find your options in this catalogue, please contact the factory.

Valve Head Unit Options

Bellows Sealed Head Units

Bellows Sealed Head Units are mainly used for applications requiring the highest tightness class – such as toxic or vacuum service.



Stem Features

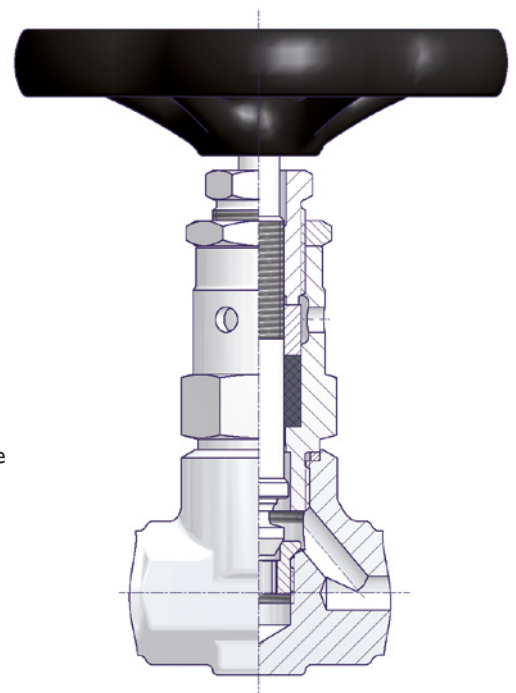
- Stem with cold rolled threads
- Back seat (except Integral Bonnet Needle Valve)
- Non-rotating needle tip or alternatively non-rotating needle

Valve Seat (Metal to Metal)

- Integral Valve Seat or Replaceable Valve Seat

External Stem Thread

External Stem Thread means Packing below Stem Threads. Stem Threads are protected from process media (non-wetted), helps to prevent stems from galling.

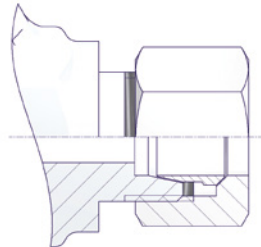


Connections

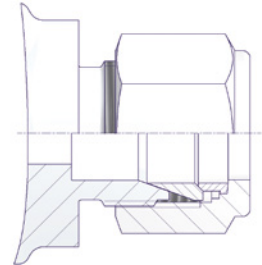
AS-Schneider is manufacturing a lot of different connections and connection combinations. In this catalogue we are showing the most popular types. On this page you will find the standard connections in detail.

Tube Fittings

Single Ferrule Tube Fittings
acc. to EN ISO 8434-1 Size S

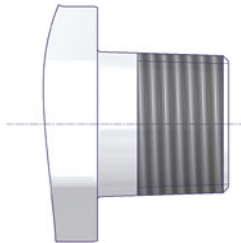


Twin Ferrule Tube Fittings

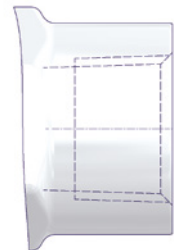


Tapered Pipe Threads

NPT Male Threads
acc. to ASME B 1.20.1

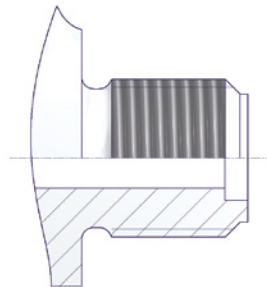


NPT Female Threads
acc. to ASME B 1.20.1

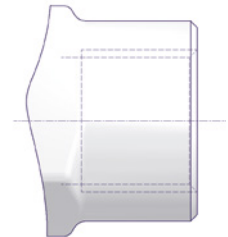


Parallel Pipe Threads

BSP Parallel Male Threads
acc. to DIN 19207 (G1/2)
acc. to DIN 3852

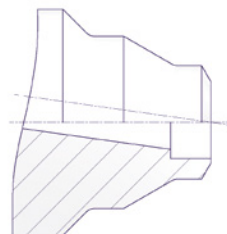


BSP Parallel Female Threads
acc. to ISO 228 (e.g. G 1/2)
acc. to DIN 3852-2 Form Z



Weld Ends

Butt Weld Ends
for Pipes and Tubes
acc. to ASME B16.9 and
EN 12627



Socket Weld Ends
for Pipes and Tubes
acc. to ASME B16.11 and
EN 12760

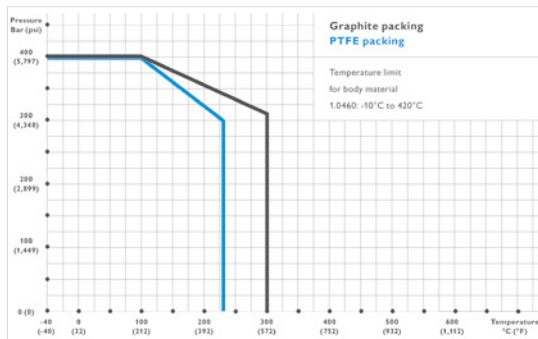
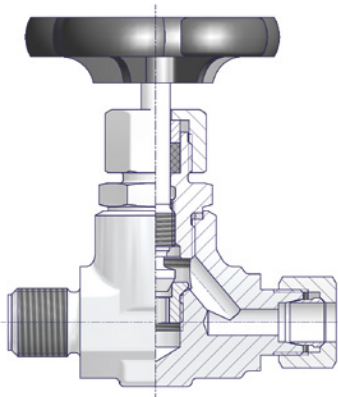


Screwed Bonnet Needle Valves Type S350 / F350

Features

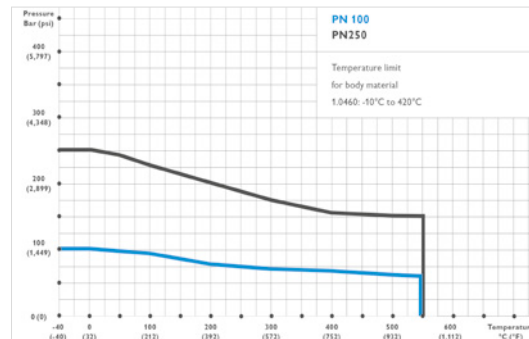
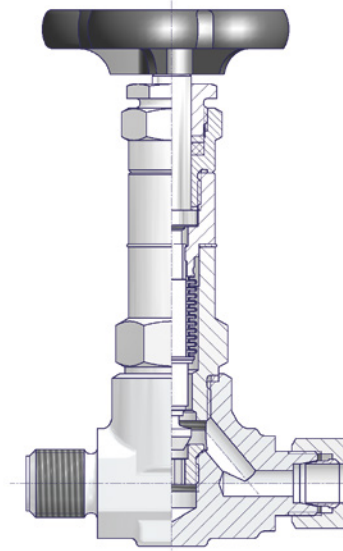
- Forged Body - DN 8 / Bore Size 8 mm
- Screwed Bonnet
- Replaceable Valve Seat
- Stem with cold rolled surface, back seat and non-rotating needle tip

S350 with Internal Stem Thread



Components	Carbon Steel	Stainless Steel
	Material / Material No.	
Body	1.0460 / A105	1.4571
Bonnet	1.0501	
Valve Seat	1.4571	
Valve Stem	1.4104	
Needle Tip	1.4122	
Packing	PTFE (optional Graphite)	
Union Nut	Unalloyed Steel	1.4571
Tube Fittings		
Handwheel	Plastic	

F350 Bellows sealed option*



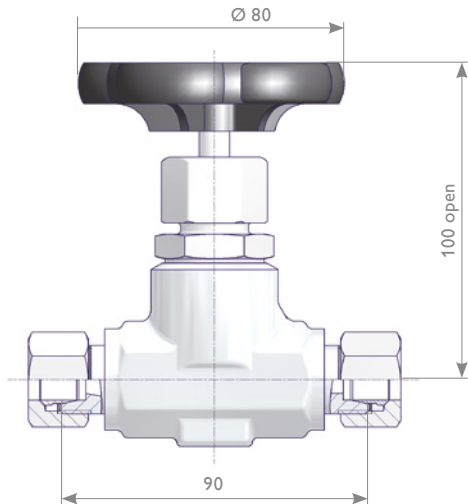
Components	Carbon Steel	Stainless Steel
	Material / Material No.	
Body	1.0460 / A105	1.4571
Bonnet	1.4571	
Bellow		
Valve Seat		
Valve Stem	Stellite	
Needle Tip		
Packing	Graphite	
Stem Nut	1.4122	
Union Nut	1.0501	1.4571
Single Ferrule	1.4571	
Handwheel	Plastic	

The respective max. allowable (Working) Pressure (PS) depends on the tube / pipe connection used. For further information please contact the factory.

* Temperature limit for Carbon Steel -10°C to 450°C.
Temperature limit for Single Ferrule Tube Fitting max. 400°C.

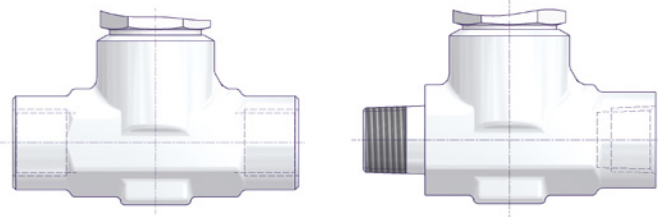
Needle Valves Type S350

Tube Fitting Connections Size S



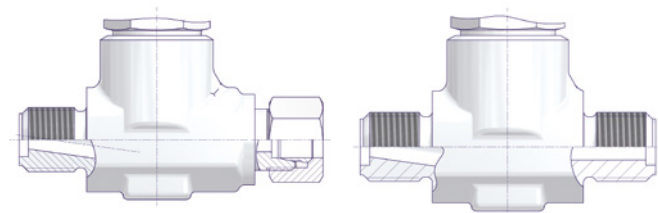
Inlet	Outlet	Material	Part Number
Tube Fitting Sizes			
12S		1.0460 / A105	S350.01.114
		1.4571	S350.01.214
14S		1.0460 / A105	S350.01.115
		1.4571	S350.01.215

Threaded Connections



Inlet	Outlet	Material	Part Number
G 1/2 Female		1.0460 / A105	S350.03.104
		1.4571	S350.03.204
1/2 NPT Female		1.0460 / A105	S350.03.124
		1.4571	S350.03.224
1/2 NPT Male	1/2 NPT Female	1.0460 / A105	S350.07.124
		1.4571	S350.07.224

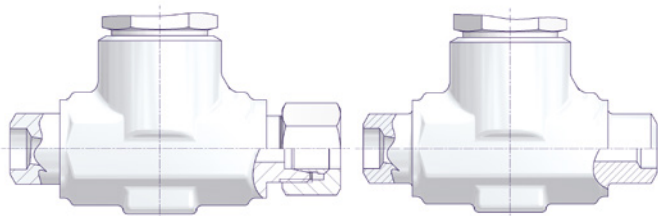
Male Threads DIN 19207 / Tube Fitting Connection*



Inlet	Outlet	Material	Part Number
G 1/2 Male DIN 19207 – Type R	Tube Fitting Size 12S	1.0460 / A105	S350.07.114.06
		1.4571	S350.07.214.06
G 1/2 Male DIN 19207 – Type R		1.0460 / A105	S350.09.100.02
		1.4571	S350.09.200.02

* Max. allowable (Working) Pressure (PS) PN 160.

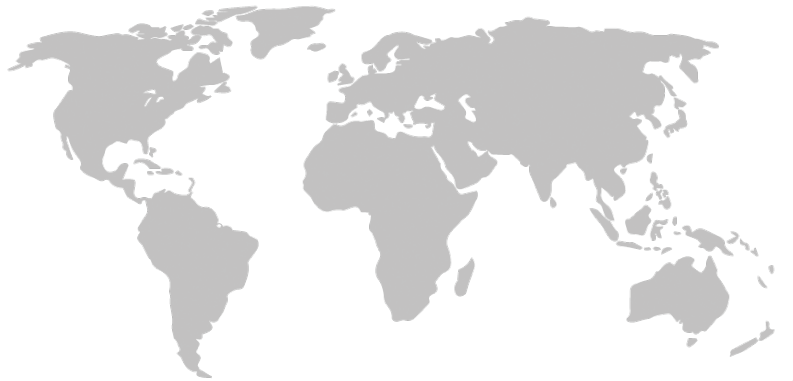
Weld Ends / Tube Fitting Connection



Inlet	Outlet	Material	Part Number
Weld End Ø 21.3 x Ø 12.2	Tube Fitting Size 12S	1.0460 / A105	S350.05.130
		1.4571	S350.05.230
Weld End Ø 21.3 x Ø 12.2		1.0460 / A105	S350.05.100
		1.4571	S350.05.200

YOUR GLOBAL PARTNER

for Instrumentation and
Double Block & Bleed Valves



Visit us on:



ARMATURENFABRIK FRANZ SCHNEIDER GMBH + CO.KG
World Headquarters
Bahnhofplatz 12, 74226 Nordheim, Germany
Tel: +49 7133 101-0
www.as-schneider.com



ARMATURENFABRIK FRANZ SCHNEIDER SRL
Gradinari 32-38, 100404 Ploiesti
Romania
Tel: +40 244 384 963
www.as-schneider.ro



AS-SCHNEIDER ASIA-PACIFIC PTE. LTD.
970 Toa Payoh North, #02-12/14/15, Singapore 318992,
Singapore
Tel: +65 62 51 39 00
www.as-schneider.sg



AS-SCHNEIDER AMERICA, INC.
17449 Village Green Dr, Houston, TX 77040
United States of America
Tel: +1 281 760 1025
www.as-schneider.com



AS-SCHNEIDER MIDDLE EAST FZE
P.O. Box 18749, Dubai
United Arab Emirates
Tel: +971 4 880 85 75
www.as-schneider.ae



AS-SCHNEIDER INDIA PRIVATE LIMITED
Rathinam Techzone Campus, Eachanari
641021 Coimbatore, Tamil Nadu, India
Tel: +91 999 544 2201
www.as-schneider.com

