

Faster[®]
A HELIOS COMPANY

Mobile & Construction
Equipment



Faster offers a dedicated range of products for Mobile & Construction Equipment, suitable for both Light Equipment, such as Skid Steer and Multiutilities, and Heavy-duty application.

Faster has developed several solutions for the Mobile & Construction Equipment market, including Flat Face couplings, robust and reliable Screw to Connect couplings, Casting solutions with integrated pressure release system and MultiFaster for connection of multiple lines. For applications that are typical

in the construction market, quick-release couplings are required to adapt themselves to work in dusty environments with sand and dirt. It is very important that the seals used are specifically studied and created from polymer blends able to sustain the deterioration and consumption induced by the hostile work conditions.

ICONS LEGEND



Connection Under Pressure:
Allowed Male Half up to W.P.



Connection Under Pressure:
Allowed Both Halves



Connection Under Pressure:
Allowed Residual



Connection and disconnection
under residual pressure both halves

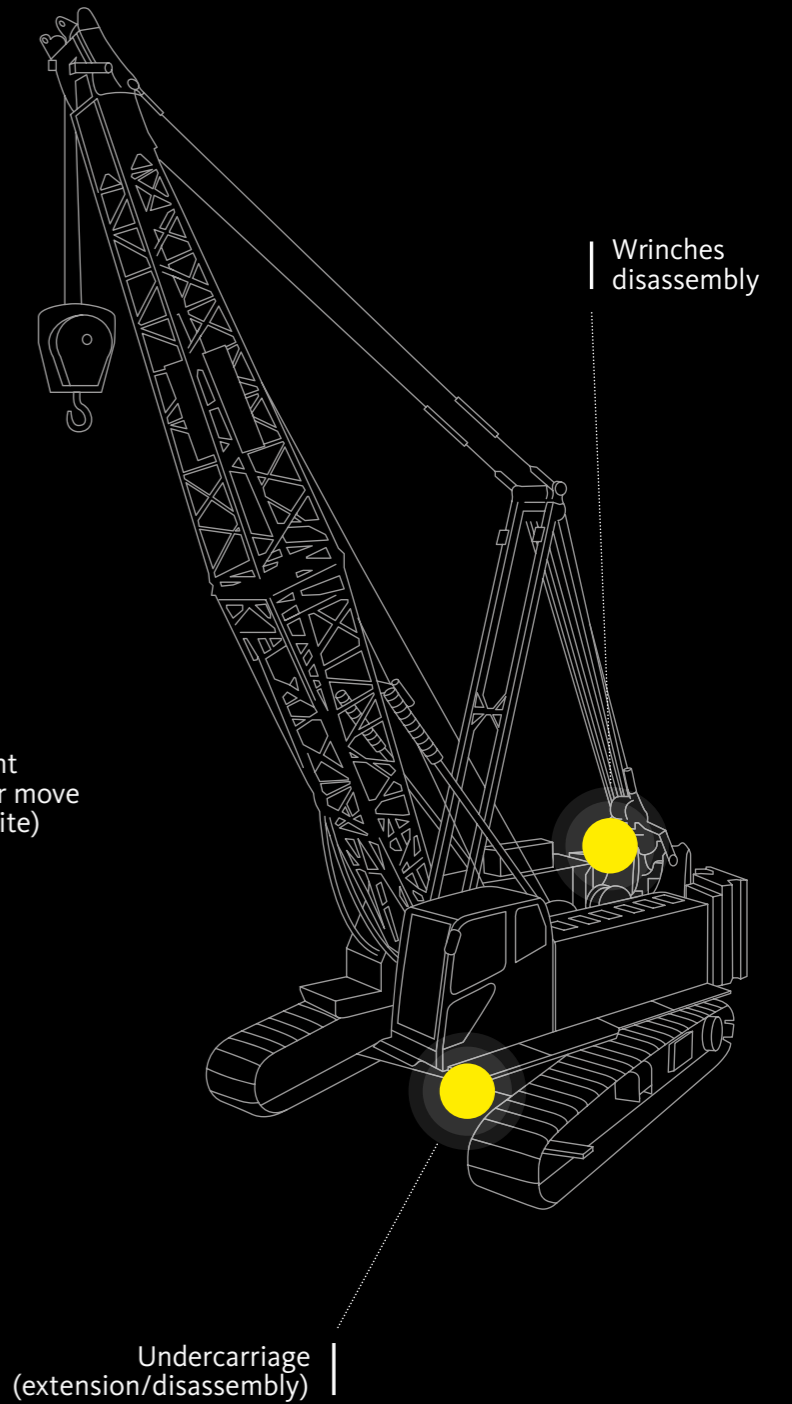
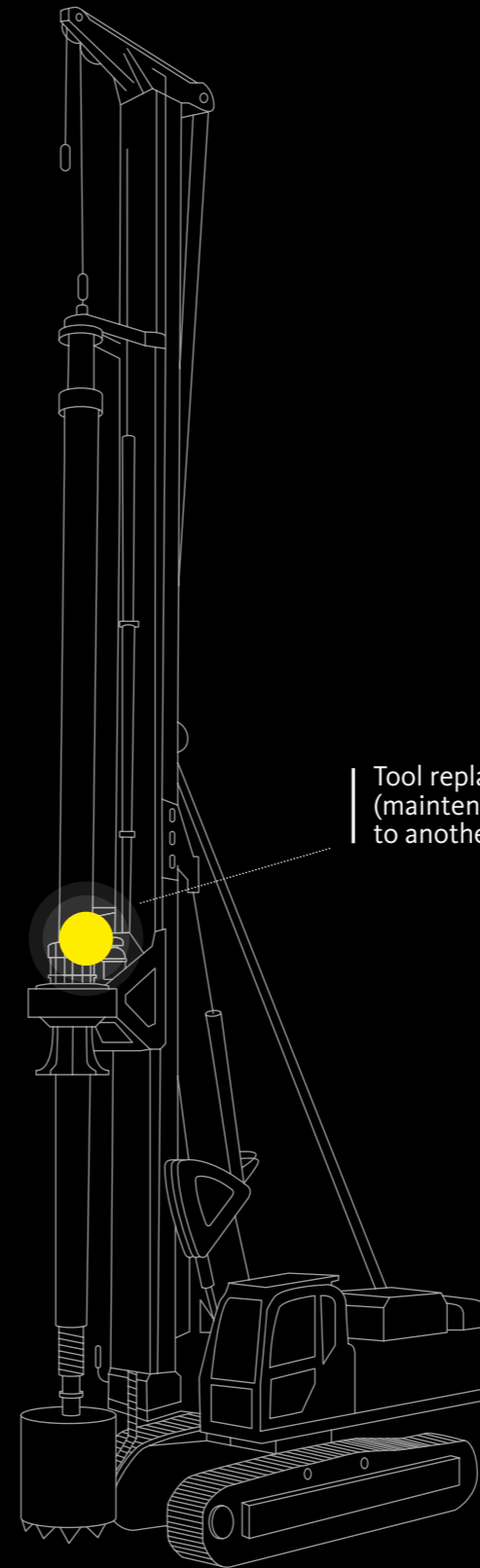
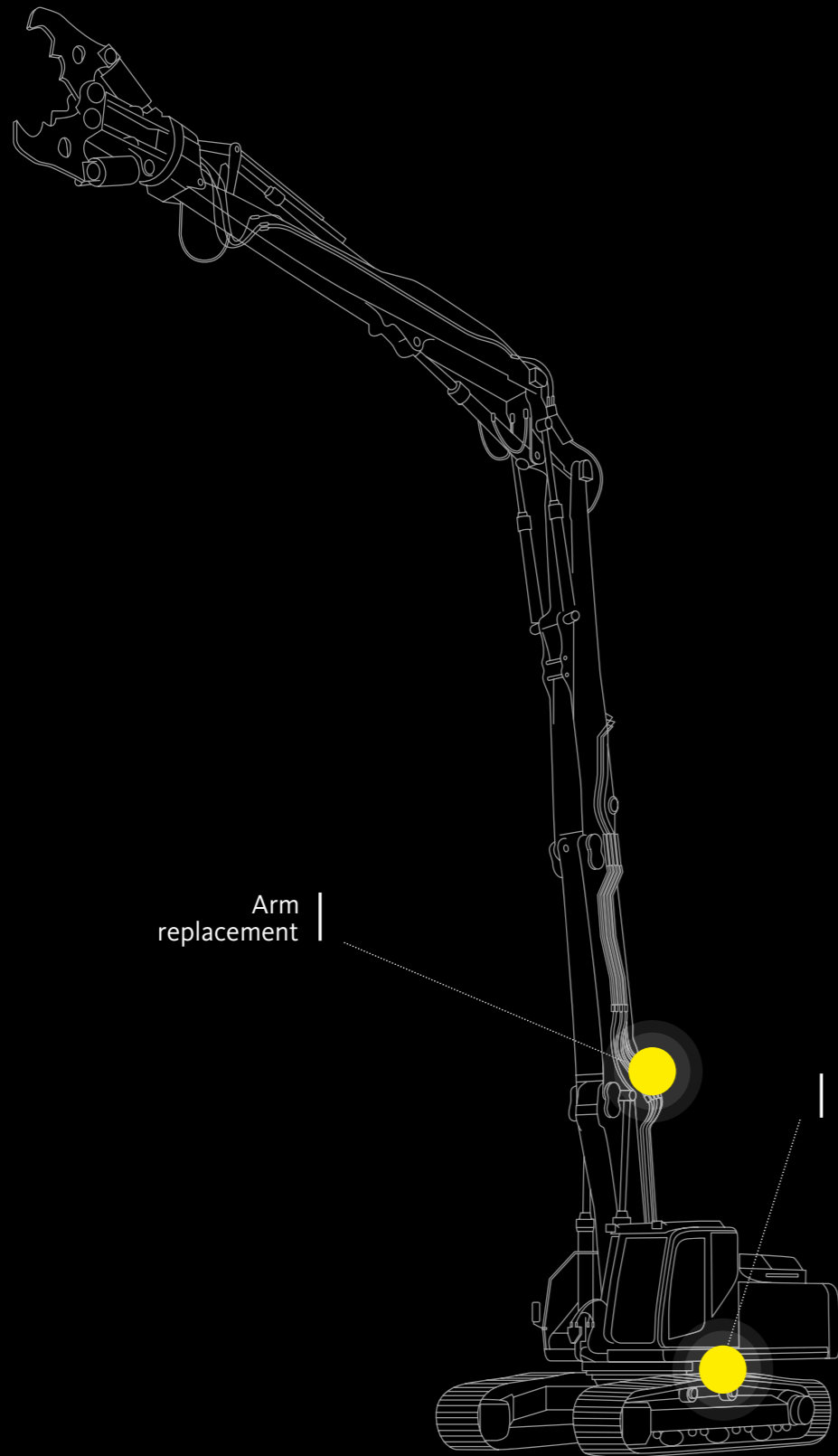


Disconnection Under Pressure:
Allowed Male Half up to W.P.



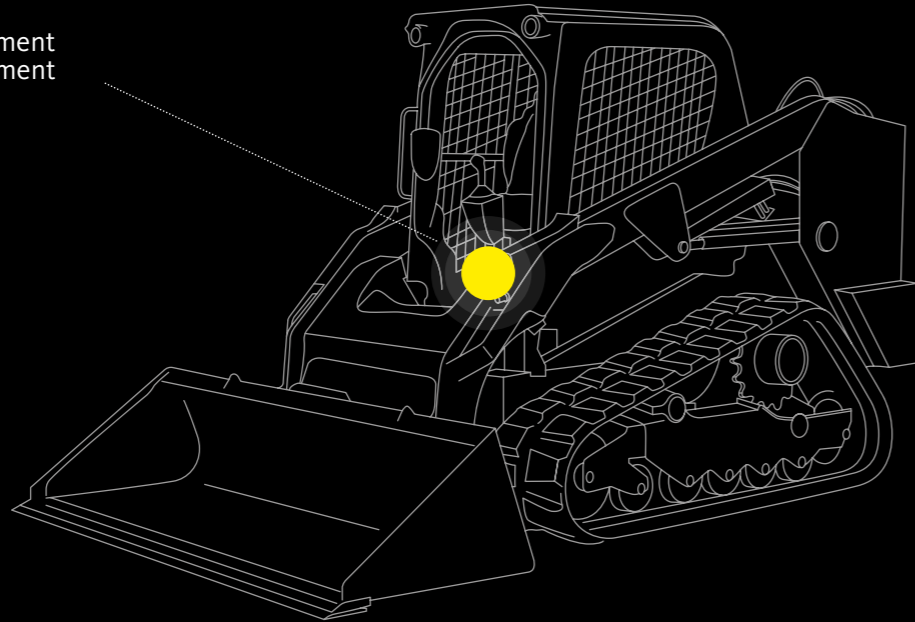
Connection Under Pressure:
Not Allowed

Heavy Equipment

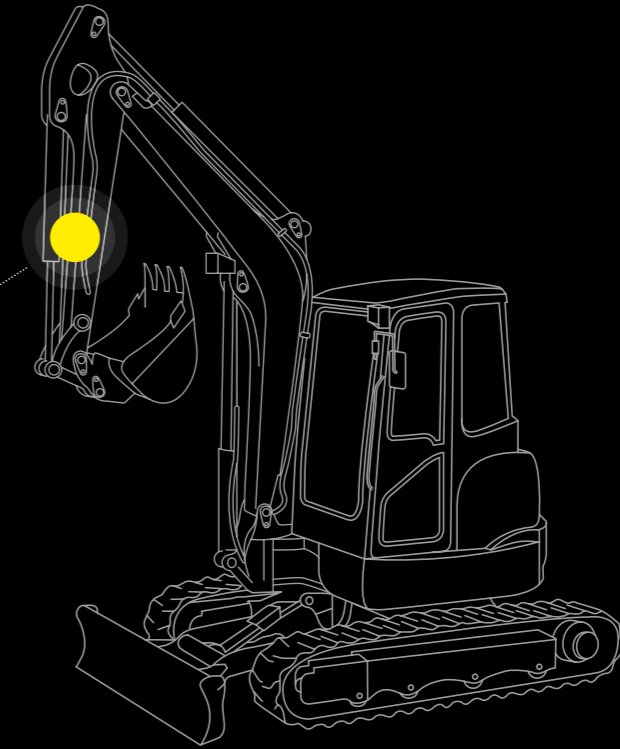


Light Equipment

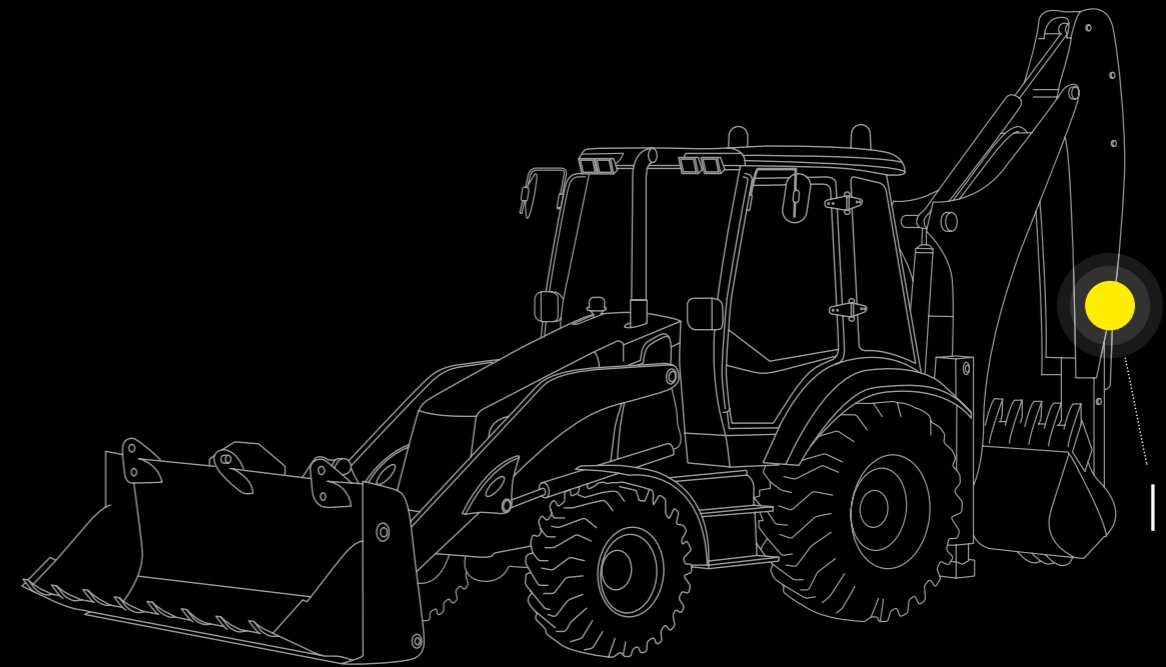
Attachment replacement



Attachment replacement



Attachment replacement



Flat Face

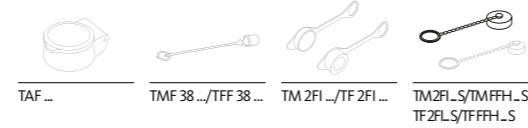


FFH



Flat face Male and Female couplings.
The flat valve shut-off system prevents contamination and spillage.
Real maximum working pressure of 35 MPa and Zinc-Nickel plating.
Available sizes: 1/8", 1/4", 3/8", 1/2", 5/8", 3/4", 1".
Interchangeable according to ISO 16028.
Size 1/8" has surface treatment in Mate 500 (CrIII) and it is not ISO interchangeable.

Accessories and spares



TAF ... TMF 38 .../TFF 38 ... TM 2FI .../TF 2FI ... TM2FI_S/TMFFH_S TF2FL_S/TFFFH_S

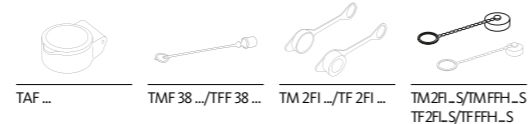
3FFH



Flat face Male and Female couplings.
The flat valve shut-off system prevents contamination and spillage.
Real maximum working pressure of 35 MPa and Zinc-Nickel plating.
Connectable under residual pressure.
It is possible to couple either a 3FFH Female half under pressure with a FFH Male half, or a 3FFH Male half under pressure with a FFH Female half.
Available sizes: 3/8", 1/2", 5/8", 3/4".
Interchangeable according to ISO 16028.

The 1/2" size, one of the most popular diameters used for compact excavators and tracked/wheeled loaders equipment, is now available in a compact version (3FFK), to suit applications characterized by longitudinal space constraints. 3FFK offers same technical performances as 1/2" male couplings belonging to 3FFH series, with a 25 mm shorter body.

Accessories and spares



TAF ... TMF 38 .../TFF 38 ... TM 2FI .../TF 2FI ... TM2FI_S/TMFFH_S TF2FL_S/TFFFH_S

FSH



Flat face Female couplings, equipped with sector latching technology.
The sector latching system enables to effectively tackle the Brinelling effect, provoked by high frequency impulsive pressures.
Real maximum working pressure of 35 MPa and Zinc-Nickel plating.
Connectable under residual pressure in the Male half when coupled with a 3FFH Male coupling.
Available sizes: 3/8", 1/2", 3/4", 1".
Interchangeable according to ISO 16028.

Accessories and spares



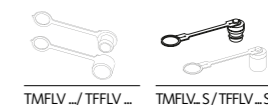
TAF ... TMF 38 .../TFF 38 ... TM 2FI ... TM2FI_S/TM2FN38_S

FLV



Screw-on Flat Face couplings, with extremely compact and robust design.
Ideal for applications in which a flat face connection is required and there are no significant residual pressures to manage.
Available sizes: 3/8", 1/2", 3/4", 1".

Accessories and spares



TMFLV .../TFFLV ... TMFLV_S/TFFLV_S

Screw to Connect



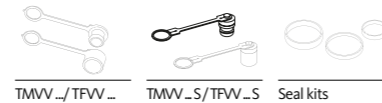
CVV



Screw-to-Connect Male and Female couplings, suitable for general purpose applications. High resistance to pressure and flow impulses. Connectable under residual pressure. Available sizes: 1/4", 3/8", 1/2", 3/4", 1", 1-1/2". Interchangeable according to ISO 14541 standard only for sizes 1/4", 3/8", 1/2", 3/4".



Accessories and spares



TMVV.../TFVV...

TMVV...S/TFVV...S

Seal kits

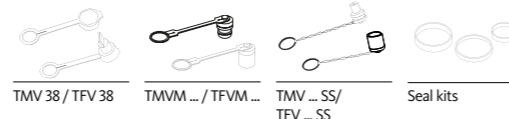
VVS



Screw-to-Connect Male and Female couplings, suitable for applications characterized by high working pressures and peaks. Safe and reliable thanks to the heavy duty internal components. Available sizes: 1/4", 3/8", 1/2", 3/4", 1", 1-1/4", 1-1/2", 2".



Accessories and spares



TMV 38 / TFV 38

TMVM... / TFVM...

TMV...SS/TFV...SS

Seal kits

OGVST



Screw to connect couplings for Oil & Gas application, market interchange. Equipped with a marker that confirms the complete connection and a longer locking sleeve for an improved engagement. Robust sleeve design, poppet valve and ACME connection thread. Available sizes: 1-1/2", 2".



Accessories and spares



TM OGV...S/
TF OGV...S

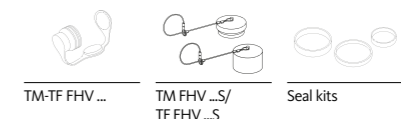
FHV



Screw-to-Connect Flat Face couplings, suitable for heavy duty applications. Equipped with a safety sleeve to help preventing accidental disconnections due to vibrations. Equipped with a clear and intuitive visual check system, confirming the connection has occurred (green ring) or not (red ring). No hose torsion during connection and disconnection thanks to the internal bearing system. The Zinc-Nickel plating guarantees a remarkable resistance to corrosion. Thanks to its peculiar design, FHV couplings can also be connected and disconnected entirely by hand, without any tools. Connectable with residual pressure in the Male half up to 35 MPa. Working Pressure up to 53 MPa and flow rate up to 1000 l/min. Available sizes: 3/8", 1/2", 3/4", 1", 1-1/4", 1-1/2", 2".



Accessories and spares



TM-TF FHV...

TM FHV...S/
TF FHV...S

Seal kits

Castings Solutions



Auxiliary Lines Block (3 ports)



Castings with couplings for construction equipment. The first cast iron block ever designed allowing a quick connection and disconnection of attachments for skid steer loaders and other construction equipment machines.

Cartridges share all the benefits of the FFH series technology. The decompression feature allows to connect the circuit with residual pressure on both ends. Higher flow capability is guaranteed when using 3/4" cartridges instead of 1/2" (both the sizes fit into the same block).

Auxiliary Lines Block with FFH Swivel



This Auxiliary Lines Block with FFH Swivel represents an integration of Taimi swivel connectors and Faster's best technologies.

For tough Construction Equipment applications like mulchers, characterized by a continuous up-down movement, rotation of hoses under pressure can heavily affect durability of quick release couplings, which shouldn't be subject to a prolonged mutual rotation of the bodies when connected.

The development of special block cartridges equipped with rear swivel connectors allows to prevent mutual rotation and increases substantially quick couplings working life.

Due to the presence of rear swivels the traditional pressure relief mechanism of 4BD blocks has been replaced by a pull-knob lever activation.

Auxiliary Lines Block (3+2 HF)



5 Lines blocks make machines more versatile and suitable for a wide range of attachments thanks to 5 quick-couplings hosted in one single casting: two couplings 1/2", two couplings 3/4" for high flow applications and one 3/8" to connect drain lines. The blocks can be hooked up to the machine hydraulic circuit by means of 2 input ports. Hydraulic decompression of the 1/2" lines is performed through the same patented system implemented on the 3-ports auxiliary lines blocks, whereas decompression of the 3/4" lines is achieved through a manual activation. Items shown into this section are off the shelf products not requiring any further design development or investment for production tools.

MultiFaster



PC206



MultiFaster, 2 lines, size O6.
MultiFaster compact. It allows connection with mobile plate or stand-alone counterpart couplings, 2 lines 3/8".

The disconnection of stand-alone counterpart couplings is made by dedicated push buttons. This feature can be extended to all MultiFaster range.

PH510 S



MultiFaster 4 lines for High Pressure applications.
2 lines size O8, 2 lines size 12. Working Pressure: 46 MPa.
Flow rate @ 0.2 MPa: 2 lines 60 l/min, 2 lines 105 l/min.

MultiGrease



MultiFaster with special cartridge for central lubrication system and an electrical connector (7 pins) included. 2 lines, size 1/2".

This feature (special cartridge equipped with shunt system) can be extended to all MultiFaster range.

M116



This compact block represents an interesting example of use of FFHB cartridges series, recently launched on the market by Faster. Equipped with two ISO 16028 cartridges 3/8", it provides a coupling solution to a tiltrotator hitch for auxiliary lines (e.g.: grippers, or any kind of hydraulic attachment). A linear engagement mechanism studied by the machine manufacturer ensures the correct alignment between cartridges during connection and disconnection operations. Compactness, reliability, robustness and ease of maintenance ensured by the front installation are main benefits of this solution. A wide range of blocks could be developed for similar applications, exploiting the advantages offered by FFHB cartridges, available in 3/8", 1/2" and 3/4" sizes.

We are the global reference
in quick-release hydraulic couplings

Faster Srl
Via Ludovico Ariosto, 7
I-26027 Rivolta d'Adda
Cremona, Italy
T +39 0363 377211
F +39 0363 377333
info@fastercouplings.com
www.fastercouplings.com