



FLOATING AND TRUNNION MOUNTED BALL VALVES



BALL VALVES

REFERENCES



APPLICATIONS



Oil & Gas



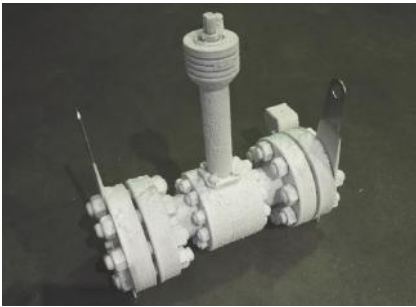
Refining



Petrochemical



Chemical



Cryogenic Service



Marine

FLOATING & TRUNNION MOUNTED

Series	Connect.	Material	ASME C150	ASME C300	ASME C600/400	ASME C900/800	ASME C1500	ASME C2500	Page
			PN20	PN50	PN100/69	PN150/138	PN250	PN420	
FLOATING BALL - SOFT SEATS			FULL BORE SIZES (DN)						
XF	Theaded SW-BW Nipple	Cast		$\frac{4''}{100}$	$\frac{\frac{3}{8}'' \text{ to } 3''}{10 \text{ to } 80}$				3
SF	Theaded SW-BW Nipple	Forged or Barstock			$\frac{2'' \text{ to } 4''}{50 \text{ to } 100}$	$\frac{\frac{3}{8}'' \text{ to } 1\frac{1}{2}''}{10 \text{ to } 40}$			4
HF	Theaded SW-BW Nipple	Forged or Barstock				$\frac{2'' \text{ to } 3''}{50 \text{ to } 80}$	$\frac{\frac{1}{2}'' \text{ to } 1\frac{1}{2}''}{15 \text{ to } 40}$	$\frac{\frac{1}{2}'' \text{ to } 1\frac{1}{2}''}{15 \text{ to } 40}$	5
CF	Flanged	Cast	$\frac{\frac{1}{2}'' \text{ to } 8''}{15 \text{ to } 200}$	$\frac{\frac{1}{2}'' \text{ to } 8''}{15 \text{ to } 200}$	$\frac{\frac{1}{2}'' \text{ to } 2''}{15 \text{ to } 50}$				6
BF	Flanged	Forged or Barstock	$\frac{\frac{1}{2}'' \text{ to } 6''}{15 \text{ to } 150}$	$\frac{\frac{1}{2}'' \text{ to } 6''}{15 \text{ to } 150}$	$\frac{\frac{1}{2}'' \text{ to } 4''}{15 \text{ to } 100}$				7
HF	Flanged	Forged or Barstock				$\frac{2'' \text{ to } 3''}{50 \text{ to } 80}$	$\frac{\frac{1}{2}'' \text{ to } 1\frac{1}{2}''}{15 \text{ to } 40}$	$\frac{\frac{1}{2}'' \text{ to } 1\frac{1}{2}''}{15 \text{ to } 40}$	8
TRUNNION MOUNTED - SOFT SEATS			FULL BORE SIZES (DN)						
VTR	Flanged Nipples	Forged or Barstock	$\frac{2'' \text{ to } 12''}{50 \text{ to } 300}$	$\frac{2'' \text{ to } 12''}{50 \text{ to } 300}$	$\frac{2'' \text{ to } 10''}{50 \text{ to } 250}$	$\frac{2'' \text{ to } 10''}{50 \text{ to } 250}$	$\frac{\frac{1}{2}'' \text{ to } 8''}{15 \text{ to } 200}$	$\frac{\frac{1}{2}'' \text{ to } 6''}{15 \text{ to } 150}$	9
KTR	Flanged	Cast	$\frac{6'' \text{ to } 12''}{150 \text{ to } 300}$	$\frac{6'' \text{ to } 12''}{150 \text{ to } 300}$					10
CRYOGENIC SERVICE									11
METAL SEATED									12
OTHER SERIES									13
ACTUATION									14

CERTIFICATES

ISO 9001 Quality Assurance System

Fire Safe acc. to ISO 10497 and API 607

CE marking Pressure equipment (2014/68/EU Directive)

Fugitive emissions tightness acc. to ISO 15848 and TA-Luft

ATEX Conformity with Directive 2014/34/EU (II2GD)

Cryogenic service valves acc. to ISO 28921

FLOATING BALL

XF Series

CI600 (PN100)

DN ¾" to 1½" FB
DN ½" to 2" RB

CI400 (PN64)

DN 2" to 3" FB
DN 2½" to 4" RB

CI300 (PN50)

DN 4" FB
DN 6" RB

ASME Pressure Ratings

Connections
Threaded BSP/BSPP; BSPT; NPT
Socketweld B16.11
Buttweld Sch.10 to XXS
Nipples

General Features
3 Piece Bolted Construction | Floating Ball
Top Flange ISO 5211 | Fire Safe and Antistatic
Temperature range -29° up to + 260°C



Materials

	Standard	Optional
Body / Ends	Carbon Steel A216 WCB A352 LCC	Duplex CD3MN equiv. 4A
	Stainless Steel A351 CF3M A351 CF3	Super Duplex CD3MWCuN equiv. 6A
Ball	F316/CF8M F304/CF8	AISI 410/CA15 A182 F51; F55
Seats	CG-RPTFE	PTFE; TFM; PEEK; DEVLON
Packing / Seals	GRAPHITE	TFM; RPTFE
Bolting	A193 Gr. B7 A193 Gr. B8M	A193 Gr. B7M A320 Gr. L7; A320 Gr. L7M

Other materials available on request

Options

CI800 | DN ¾" to 1½" FB
DN ½" to 2" RB

CI600 | DN2" FB
DN 2½" RB



SF Series

Connections	Threaded BSP/BSPP; BSPT; NPT Socketweld B16.11 Butt weld Sch.10 to XXS Nipples	CI800 (PN138)
		DN ¾" to 1½" FB DN ½" to 2" RB
		CI600 (PN100)
		DN 2" to 3" FB DN 2½" to 4" RB
General Features	3 Piece Bolted Construction Floating Ball Top Flange ISO 5211 Fire Safe and Antistatic Temperature range -29° up to + 260°C	CI400 (PN64)
		DN 4" FB DN 6" RB
		ASME Pressure Ratings



Materials

	<i>Standard</i>	<i>Optional</i>
Body / Ends	Carbon Steel A105N A350 LF2	Duplex A182 F51 (S31803)
	Stainless Steel A182 F316-316L A182 F304-304L	Super Duplex A182 F53 (S32750) A182 F55 (S32760)
Ball	F316/CF8M F304/CF8	AISI 410/CA15 A182 F51; F53; F55
Seats	CG-RPTFE	PTFE; TFM; PEEK; DEVLON
Packing / Seals	GRAPHITE	TFM; RPTFE
Bolting	A193 Gr. B7 A193 Gr. B8M	A193 Gr. B7M A320 Gr. L7; A320 Gr. L7M

Other materials : LF3; F44; INCONEL; MONEL; TITANIUM; BRONZE

Options

CI900 | DN ¾" to 2" FB
 DN ½" to 2 ½" RB

CI150/300 | DN 6" to 8" FB
 DN 8" to 10" RB



FLOATING BALL

HF Series

CI900 (PN150)

DN 2" to 3" FB
DN 2½" to 4" RB

CI1500 (PN250)

DN ½" to 1½" FB
DN ¾" to 2" RB

CI2500 (PN420)

DN ½" to 1½" FB
DN ¾" to 2" RB

ASME Pressure Ratings

Connections

Threaded BSPT; NPT
Socketweld B16.11
Buttweld Sch.40 to XXS
Nipples

General Features

3 Piece Bolted Construction | Floating Ball
Top Flange ISO 5211 | Fire Safe and Antistatic
Temperature range -29° up to + 260°C

Materials



	Standard	Optional
Body / Ends	Carbon Steel A105N A350 LF2	Duplex A182 F51 (S31803)
	Stainless Steel A182 F316-316L A182 F304-304L	Super Duplex A182 F53 (S32750) A182 F55 (S32760)
Ball	F316/CF8M F304/CF8	AISI 410/CA15 A182 F51; F53; F55
Seats	DEVLON	PEEK; DELRIN
Packing / Seals	GRAPHITE	TFM; RPTFE
Bolting	A193 Gr. B7 A193 Gr. B8M	A193 Gr. B7M A320 Gr. L7; A320 Gr. L7M

Other materials : LF3; F44; INCONEL; MONEL; TITANIUM

Options

ASME and DIN Flanged Ends



CF Series

Connections ASME Flanged RF
ASME Flanged RTJ
ASME Flanged PF

General Features 2 Piece Split Body Construction | Floating Ball
Top Flange ISO 5211 | Fire Safe and Antistatic
Temperature range -29° up to + 260°C

CI150 (PN20)

DN ½" to 8" FB

CI300 (PN50)

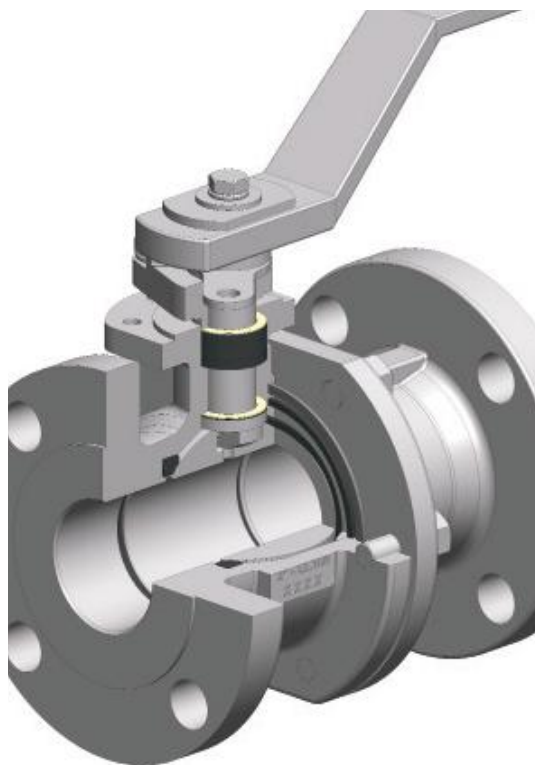
DN ½" to 8" FB

CI600 (PN100)

DN ½" to 2" FB

ASME Pressure Ratings

Materials



	<i>Standard</i>	<i>Optional</i>
Body / Ends	Carbon Steel A216 WCB A352 LCC Stainless Steel A351 CF8M A351 CF8	Duplex CD3MN equiv. 4A Super Duplex CD3MWCuN equiv. 6A
Ball	F316/CF8M F304/CF8	AISI 410/CA15 A182 F51; F55
Seats	CG-RPTFE	PTFE; TFM; PEEK; DEVLON
Packing / Seals	GRAPHITE	TFM; RPTFE
Bolting	A193 Gr. B7 A193 Gr. B8M	A193 Gr. B7M A320 Gr. L7; A320 Gr. L7M

Other materials available on request

Options

CI300 | DN 6" FB and 8" FB Supported Ball

DIN Flanged Ends



FLOATING BALL

BF Series

CI150 (PN20)

DN ½" to 6" FB

CI300 (PN50)

DN ½" to 6" FB

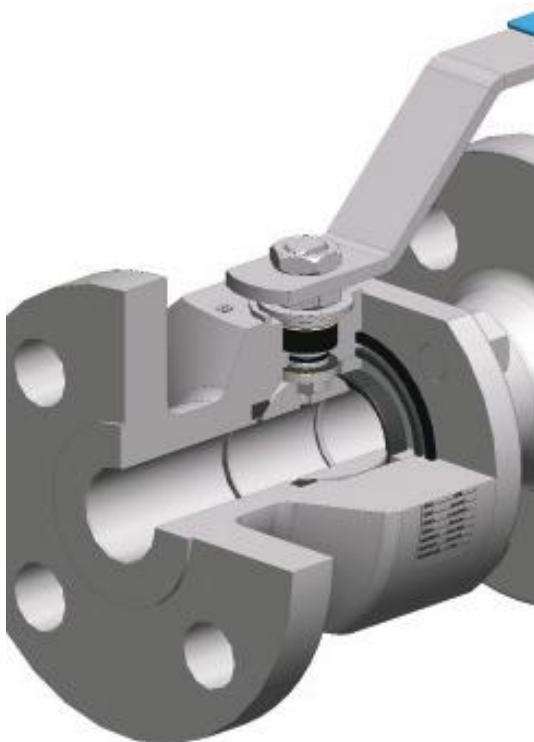
CI600 (PN100)

DN ½" to 4" FB

ASME Pressure Ratings

Connections
ASME Flanged RF
ASME Flanged RTJ
ASME Flanged PF

General Features
2 Piece Split Body Construction | Floating Ball
Top Flange ISO 5211 | Fire Safe and Antistatic
Temperature range -29° up to + 260°C



Materials

	Standard	Optional
Body / Ends	Carbon Steel A105N A350 LF2	Duplex A182 F51 (S31803)
	Stainless Steel A182 F316-316L A182 F304-304L	Super Duplex A182 F53 (S32750) A182 F55 (S32760)
Ball	F316/CF8M F304/CF8	AISI 410/CA15 A182 F51; F53; F55
Seats	CG-RPTFE	PTFE; TFM; PEEK; DEVLON
Packing / Seals	GRAPHITE	TFM; RPTFE
Bolting	A193 Gr. B7 A193 Gr. B8M	A193 Gr. B7M A320 Gr. L7; A320 Gr. L7M

Other materials : LF3; F44; INCONEL; MONEL; TITANIUM; BRONZE

Options

DIN Flanged Ends
Reduced Bore Version



HF Series

Connections ASME Flanged RF
ASME Flanged RTJ

General Features 3 Piece Bolted Construction | Floating Ball
Top Flange ISO 5211 | Fire Safe and Antistatic
Temperature range -29° up to + 260°C

CI900 (PN150)

DN 2" to 3" FB

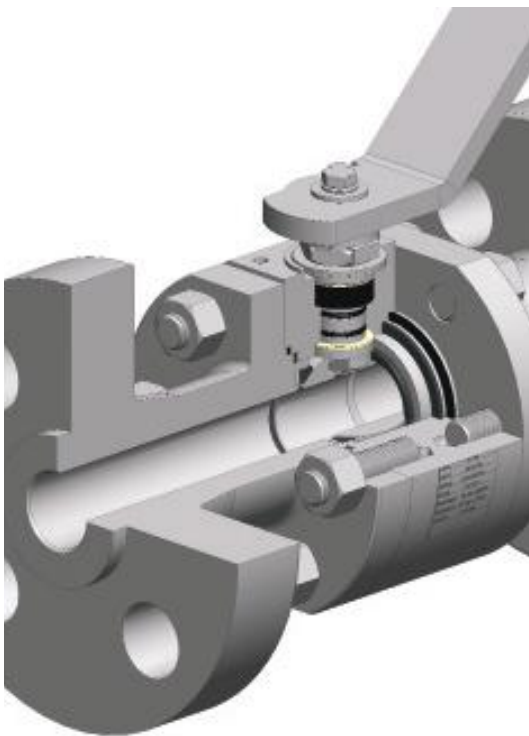
CI1500 (PN250)

DN ½" to 1½" FB

CI2500 (PN420)

DN ½" to 1½" FB

ASME Pressure Ratings



Materials

	<i>Standard</i>	<i>Optional</i>
Body / Ends	Carbon Steel A105N A350 LF2 Stainless Steel A182 F316-316L A182 F304-304L	Duplex A182 F51 (S31803) Super Duplex A182 F53 (S32750) A182 F55 (S32760)
Ball	F316/CF8M F304/CF8	AISI 410/CA15 A182 F51; F53; F55
Seats	DEVLON	PEEK; DELRIN
Packing / Seals	GRAPHITE	TFM; RPTFE
Bolting	A193 Gr. B7 A193 Gr. B8M	A193 Gr. B7M A320 Gr. L7; A320 Gr. L7M

Other materials : LF3; F44; INCONEL; MONEL; TITANIUM; BRONZE

Options

DIN Flanged Ends
Reduced Bore Version



TRUNNION MOUNTED

VTR Series

Connections	ASME Flanged RF	CI150 (PN20)	CI900 (PN150)
	ASME Flanged RTJ Nipples	DN 2" to 12" FB DN 3" to 14" RB	DN 2" to 10" FB DN 3" to 12" RB
General Features	3 Piece Bolted Construction Trunnion Mounted Top Flange ISO 5211 Fire Safe and Antistatic Temperature range -29° up to + 260°C	CI300 (PN50)	CI1500 (PN250)
		DN 2" to 12" FB DN 3" to 14" RB	DN ½" to 8" FB DN ¾" to 10" RB
		CI600 (PN100)	CI2500 (PN420)
		DN 2" to 10" FB DN 3" to 12" RB	DN ½" to 6" FB DN ¾" to 8" RB

ASME Pressure Ratings



Materials

	Standard	Optional
Body / Ends	Carbon Steel A105N A350 LF2	Duplex A182 F51 (S31803)
	Stainless Steel A182 F316-316L A182 F304-304L	Super Duplex A182 F53 (S32750) A182 F55 (S32760)
Ball	F316/CF8M F304/CF8	AISI 410/CA15 A182 F51; F53; F55
Seats	CG-RPTFE; DEVLON	PTFE; TFM; PEEK; DELRIN
Spring	INCONEL X-750	INCONEL 718
Packing / Seals	GRAPHITE	TFM; RPTFE
Bolting	A193 Gr. B7 A193 Gr. B8M	A193 Gr. B7M A320 Gr. L7; A320 Gr. L7M

Other materials : LF3; F44; INCONEL; MONEL; TITANIUM

Options

- Single or Double Piston
- Lip Seal
- Sealant Injection
- Drain and Vent Plug



KTR Series

Connections ASME Flanged RF
ASME Flanged RTJ

General Features 2 Piece Split Body Construction | Trunnion Mounted
Top Flange ISO 5211 | Fire Safe and Antistatic
Temperature range -29° up to + 260°C

Cl150 (PN20)

DN 6" to 12" FB

Cl300 (PN50)

DN 6" to 12" FB

ASME Pressure Ratings

Materials



	<i>Standard</i>	<i>Optional</i>
Body / Ends	Carbon Steel A216 WCB A352 LCC	Duplex CD3MN equiv. 4A
	Stainless Steel A351 CF3M A351 CF3	Super Duplex CD3MWCuN equiv. 6A
Ball	F316/CF8M F304/CF8	AISI 410/CA15 A182 F51; F55
Seats	CG-RPTFE	PTFE; TFM; PEEK; DEVLON
Spring	INCONEL X-750	INCONEL 718
Packing / Seals	GRAPHITE	TFM; RPTFE
Bolting	A193 Gr. B7 A193 Gr. B8M	A193 Gr. B7M A320 Gr. L7; A320 Gr. L7M

Other materials available on request

Options

- Single or Double Piston
- Lip Seal
- Sealant Injection
- Drain and Vent Plug



CRYOGENIC SERVICE

Series	Material	ASME C150	ASME C1300	ASME C1600/400	ASME C1900/800	ASME C1500
		PN20	PN50	PN100/69	PN150/138	PN250
FLOATING BALL - SOFT SEATS		FULL BORE SIZES (DN)				
XC	Cast		4" 100	¾" to 3" 10 to 80		
SC	Forged Barstock			2" to 4" 50 to 100	¾" to 1½" 10 to 40	
CC	Cast	½" to 8" 15 to 200	½" to 8" 15 to 200	½" to 2" 15 to 50		
BC	Forged Barstock	½" to 6" 15 to 150	½" to 6" 15 to 150	½" to 4" 15 to 100		
TRUNNION MOUNTED - SOFT SEATS		FULL BORE SIZES (DN)				
VTC	Forged Barstock	2" to 12" 50 to 300	2" to 12" 50 to 300	2" to 10" 50 to 250	2" to 10" 50 to 250	½" to 8" 15 to 200
KTC	Cast	6" to 12" 150 to 300	6" to 12" 150 to 300			

Temperature Range Levels

Type A -29°C (-20°F) to -50°C (-58°F)

Features:

- Stem Extension 100- 200mm length
- Standard TFM Seats

Type B -51°C (-60°F) to -109°C (-164°F)

Features:

- Stem Extension 200- 400mm length
- Standard TFM Seats

Type C -110°C (-166°F) to -196°C (-321°F)

Features:

- Stem Extension 200- 400mm length
- Spring-loaded TFM Seats
- Uni-directional Flow



Series	Material	ASME C150	ASME C300	ASME C600/400	ASME C900/800	ASME C1500
		PN20	PN50	PN100/69	PN150/138	PN250
FLOATING BALL		FULL BORE SIZES (DN)				
XM	Cast	$\frac{2\frac{1}{2}}{65}$ to $\frac{4}{100}$ "	$\frac{1}{2}$ to $\frac{2}{50}$ "			
SM	Forged Barstock	$\frac{2\frac{1}{2}}{65}$ to $\frac{4}{100}$ "	$\frac{1}{2}$ to $\frac{2}{50}$ "			
CM	Cast	$\frac{1}{2}$ " to $\frac{6}{150}$ "	$\frac{1}{2}$ " to $\frac{2}{50}$ "			
BM	Forged Barstock	$\frac{1}{2}$ " to $\frac{6}{150}$ "	$\frac{1}{2}$ " to $\frac{2}{50}$ "			
TRUNNION MOUNTED		FULL BORE SIZES (DN)				
VTM	Forged Barstock	$\frac{2}{50}$ to $\frac{8}{200}$ "	$\frac{2}{50}$ to $\frac{8}{200}$ "	$\frac{2}{50}$ to $\frac{6}{150}$ "	$\frac{2}{50}$ to $\frac{6}{150}$ "	$\frac{1}{2}$ to $\frac{4}{100}$ "
KTM	Cast	$\frac{6}{150}$ to $\frac{8}{200}$ "	$\frac{6}{150}$ to $\frac{8}{200}$ "			

Temperature Range Levels

Type A -29°C (-20°F) to 250°C (482°F)

Features:

- Ball/ Seat Coatings: TCC, CCC
- Floating Ball Uni-directional
- Trunnion Mounted Bi-directional

Applications:

- Slurries (Abrasive), Pulp Stock, Solid-containing fluids

Type B -29°C (-20°F) to 400°C (752°F)

Features:

- Ball/ Seat Coatings: TCC, CCC
- Bonnets for actuation
- Floating Ball Uni-directional
- Trunnion Mounted Bi-directional

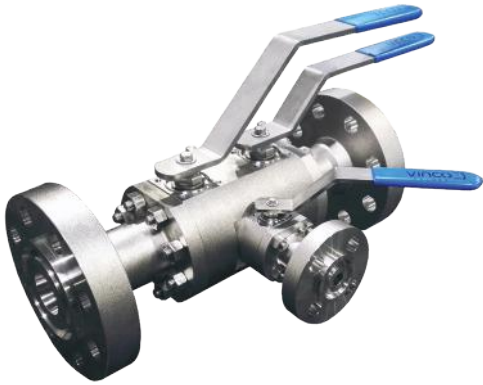
Applications:

- Slurries, Steam, Solid-containing fluids, High-Temperature fluids



OTHER SERIES

DF/DTR SERIES



**Twin Ball - Double Block & Bleed
Floating Ball and Trunnion Mounted**

Cl150 to Cl2500

DN ½" (15) to 8" (200)

Threaded, Socketweld, Buttweld and Flanged Ends

CS A105; LF2 and SS F316; F304

Duplex, Super Duplex, others.

MF SERIES

**Multi Ways - 4 Seats
Floating Ball**

Cl150 to Cl600

DN ½" (15) to 2" (50)

Threaded, Socketweld, Buttweld

Nipples, Flanged Ends

CS A105; LF2 and SS F316; F304

Duplex, Super Duplex, others.



MANUAL OPERATION AND CONTROLS

- Locking Systems
- Raised and Oval Handles
- Gear Boxes
- Spring Return Handles
- Fire Fail Safe System
- Limit Switches




AUTOMATION




- Actuators
 - Pneumatic*
 - Electric*
 - Hydraulic*
- Accessories
 - Limit Switches*
 - Solenoids*
 - Positioners*



 Vinco Head Office | Portugal

 Vinco USA | Houston TX

 Vinco Brazil | Campinas SP

AMERICA	EUROPE				MIDDLE EAST	ASIA
USA Brazil	Portugal	UK	Poland	Norway	UAE Qatar	Australia
	Denmark	Finland	Germany	Belgium		New Zealand
	Netherlands	Sweden	France	Spain		Singapore
	Hungary	Turkey	Italy	Ireland		South Korea



Rua do Progresso, lote 15
4760-841 Vilarinho das Cambas
V.N. Famalicão - Portugal

Tel: +351 252 303 210
www.vincovalves.com
comercial@vincovalves.com