

2/2 WAY DIRECT ACTING "DRY ARMATURE" SOLENOID VALVE, G 3/8"

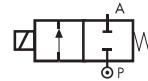
COMMON FEATURES

- Media: water and beverages
- Media temperature: $-10^{\circ}\text{C} \div +95^{\circ}\text{C}$
- Ambient temperature: $-10^{\circ}\text{C} \div +50^{\circ}\text{C}$
- Body material: brass (CW617N EN 12165)
- Operator material: stainless steel
- Seal material: silicone FDA compliant
- Protection class: IP 65 (with connector and gasket)

NOTES

TOTAL SEPARATION BETWEEN INTERNAL PARTS AND MEDIUM

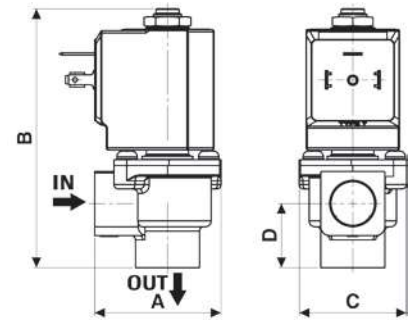
TYPE: 211



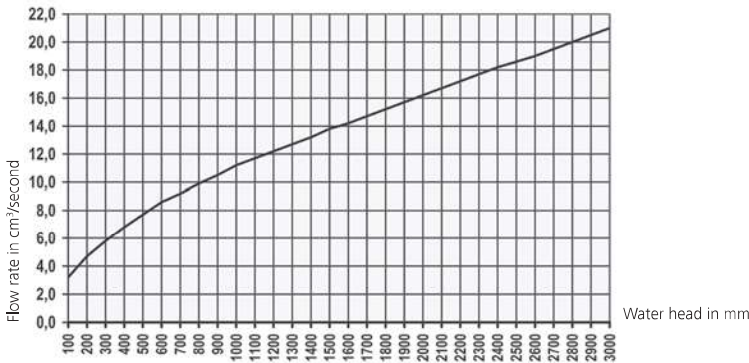
Normally Closed



DIMENSIONS & WEIGHTS		D211	C D211
G connection	[ISO 228]	3/8"	3/8"
A	[mm]	43.4	43.4
B	[mm]	88.8	88.8
C	[mm]	36	36
D	[mm]	22	22
weight	[kg]	0,34	0,34



FLOW RATE CHART



DRY ARMATURE

VALVE	nominal \varnothing	flow rate Kvs	OPD			COILS	
			min.	max. AC	max. DC	code	[Volts/Hz]
code	[mm]	[l/min]	[barg]	[barg]	[barg]		
D211DSU	11	see flow chart	0	0.3	—	7250	24v DC
C D211DSU	11	see flow chart	0	—	0.2	7200	24v 50/60Hz
						7400	110v 50Hz - 120v 60Hz
						7600	200v 50Hz - 220v 60Hz
						7700	230v 50Hz - 240v 60Hz

D211 - Silicone FDA seal, NC -

Coil power: AC 18va (holding)
AC 36va (inrush)
DC 14w

OPTIONS

Electroless nickel plating treatment (e.g. code D211DSUK)