



### Main Features

- Simple one-piece design
- All welded
- Full stainless steel
- No internal gaskets

### Applications

- Oil & Gas / Chemical
- Water & Waste water
- Energy
- Transportation & Logistics
- Machinery

### Description

This chemical seals with threaded process connection are used to protect pressure gauges from high temperatures, aggressive, crystallizing or corrosive fluids.

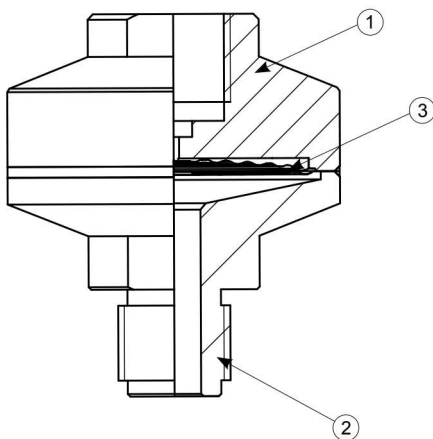
Chemical seals can be mounted to mechanical pressure gauges, switches or transmitters directly or with a flexible capillary. The filling fluid of the measuring system has to be chosen compatible to the application.

The simple, all welded design allows to build very cost effective measuring systems with a high reliability for many different applications.

Pressure ranges	D042	0 ... 1 bar to 0 ... 4 bar
	D043	0 ... 6 bar to 0 ... 60 bar
	D044	0 ... 100 bar to 0 ... 400 bar

Upper part	Stainless Steel 1.4401 (AISI 316)
Lower part	Stainless Steel 1.4404 (AISI 316L)
Diaphragm	Stainless Steel 1.4404 (AISI 316L)
Working temperature	-40...200°C (depending on the filling fluid)
Instrument connection	See ordering details
Process connection	See ordering details

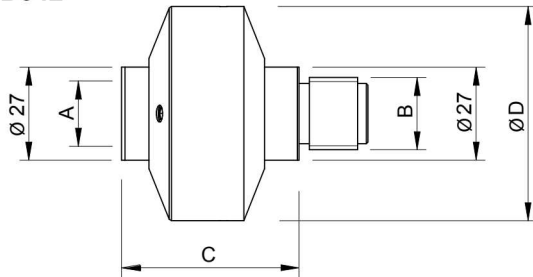
### Materials



	N°	D042	D043	D044
Upper part	①		1.4401 (AISI 316)	
Lower part	②		1.4404 (AISI 316L)	
Diaphragm	③		1.4404 (AISI 316L)	

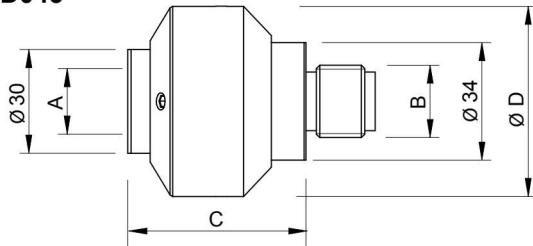
### Dimensions - Types of mounting

#### D042



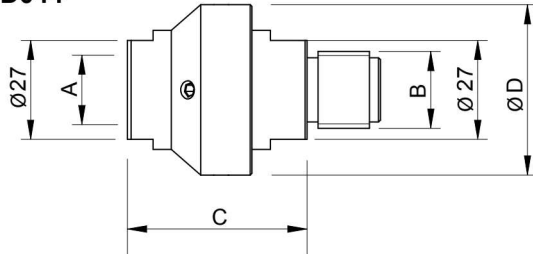
Code	A	B	C	D	Weight kg
D042-2H02	G¼	G¼	52	62	0.7
D042-2H03	G¼	G½	52	62	0.7
D042-2L03	G½	G½	52	62	0.7
D042-2N06	½ NPT	½ NPT	52	62	0.7

#### D043



Code	A	B	C	D	Weight kg
D043-2H02	G¼	G¼	52	53	0.6
D043-2H03	G¼	G½	52	53	0.6
D043-2L03	G½	G½	52	53	0.6
D043-2N06	½ NPT	½ NPT	52	53	0.6

#### D044



Code	A	B	C	D	Weight kg
D044-2H02	G¼	G¼	47	47	0.4
D044-2H03	G¼	G½	47	47	0.4
D044-2L03	G½	G½	47	47	0.4
D044-2N06	½ NPT	½ NPT	47	47	0.4

### Ordering details D04x

	D04x	-	x	x	xx
<b>Model</b>					
For low pressure	0...1 bar		4 bar	D042	
For medium pressure	0...6 bar		70 bar	D043	
For high pressure	0...100 bar		400 bar	D044	
<b>Body material</b>					
Stainless Steel 1.4401 / 1.4404 (AISI 316/ 316L)				2	
<b>Instrument connection <sup>2)</sup></b>					
G¼				H	
G½				L	
½ NPT				N	
<b>Process connection <sup>2)</sup></b>					
G¼					02
G½					03
½ NPT					06

<sup>1)</sup> Valid for assembly with 100 mm pressure gauges and temperature between -20 and +70°C. For other conditions, the minimum pressure ranges may be different. Please contact Baumer.

<sup>2)</sup> Available standard version see dimension tables above. For all other versions please contact Baumer.