



### Main Features

- Multi-purpose standard thermometer
- Class 1 and 2 according to EN 13190
- Immersion tube brass (option stainless steel)
- Immersion length 100 – 1000 mm

### Applications

- Water & Waste water
- Energy
- Machinery
- HVAC

### Technical Data

Nominal size	80, 100, 160 mm	Dial	Aluminium, white
Temperature range	-30 ... 500°C	Pointer	Aluminium, black, adjustable
Accuracy	According to EN 13190 up to 250°C: class 1 above 250°C: class 2 (class 1 on request)	Minimum immersion length	$L_E \geq 50$ mm
Protection rating	IP 50 (EN 60529)	Temperature limit	ranges $\leq 400^\circ\text{C}$ : 135% F.S. ranges $> 400^\circ\text{C}$ : 100% F.S.
Immersion tube	Brass Option: Stainless steel 1.4571 (AISI 316 Ti)		
Case	Stainless steel 1.4301 (AISI 304)		
Bezel ring	Stainless steel 1.4301 (AISI 304)		
Window	Instrument glass		

### Options

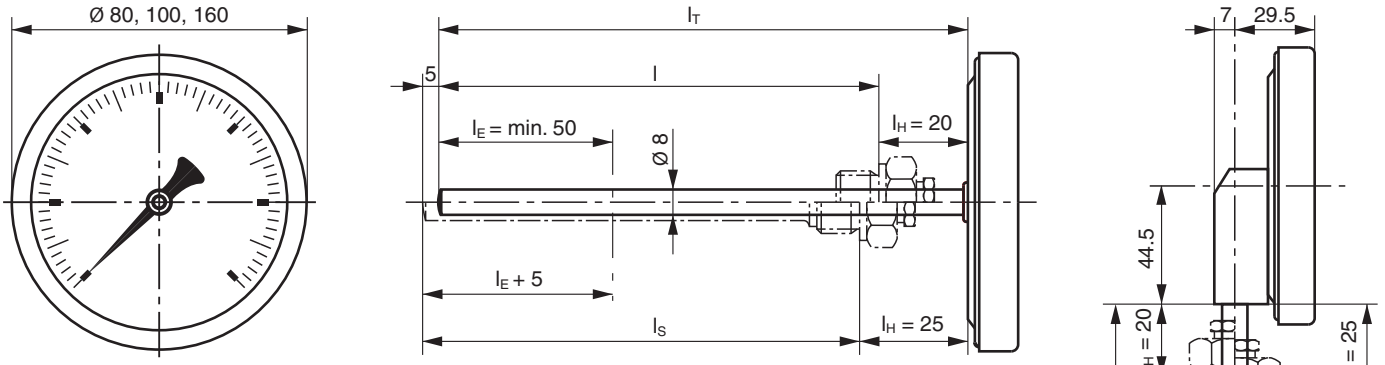
Dampening grease	Code 0581
Acrylic window (PMMA or Plexiglass) <sup>(1)</sup>	Code 0752
Silicon free, label marking	Code 0793
Silicon free, marking on dial	Code 0794
Red mark	Code 9700
Green mark	Code 9701
Specific temperature range	Code 9704
Customer logo on dial	Code 9710
Specific technical data on dial	Code 9711

### To be ordered separately

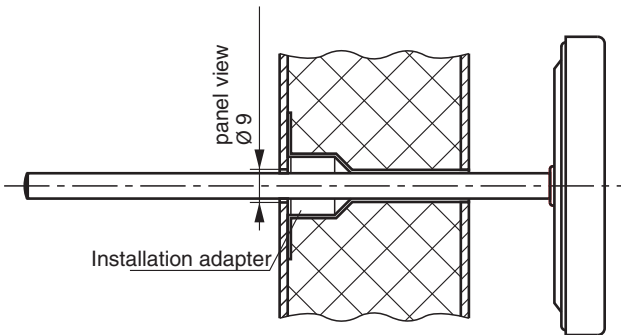
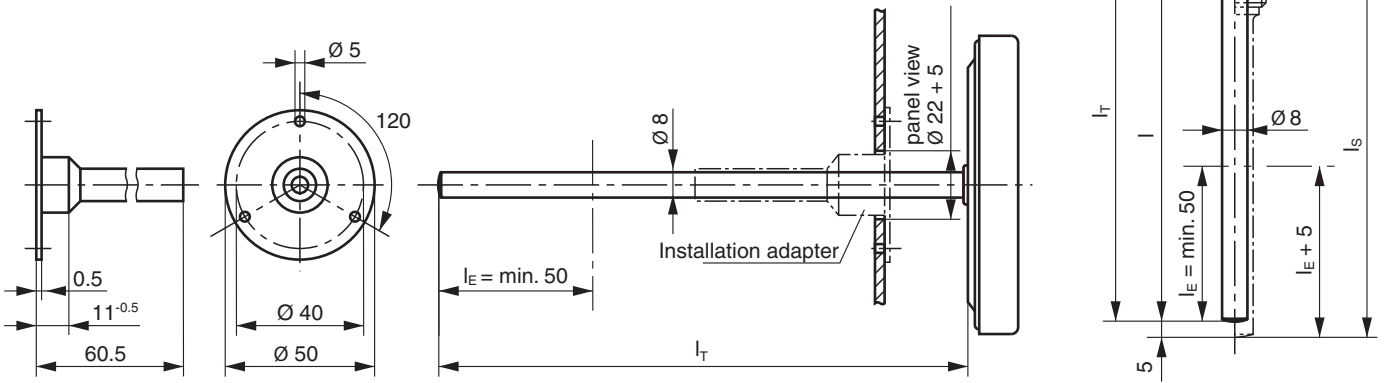
Calibration certificate (3 points)	90001188
------------------------------------	----------

<sup>(1)</sup> The case must not be constantly heated over 75°C.

**Drawing (dimensions in mm)**



**Installation adapter (Art. 10271371) for direct mounting on airducts**



Weight in kg		
NS	bottom	center back
80	0.190	0.140
100	0.270	0.160
160	-	0.410
Add per 100 mm		
$\varnothing 8$ mm	0.017	

**Temperature ranges**

Code	Range °C
53T <sup>1)</sup>	-10 ... 30
52T	-20 ... 40
54T	-20 ... 60
61T	-30 ... 30
51T	-30 ... 70
10T <sup>1)</sup>	0 ... 40
11T	0 ... 60
27T	0 ... 80

Code	Range °C
12T	0 ... 100
20T	0 ... 120
13T	0 ... 160
22T	0 ... 200
14T	0 ... 250
15T	0 ... 400
30T	100 ... 500

<sup>1)</sup> Only center back version, NS 80 and NS 100, max. immersion length 160 mm

### Ordering details TB

	TB			-	2			.	1			.	xxx	/
<b>Model</b>	TB													
Bimetal Thermometer	TB													
<b>Nominal size</b>														
80 mm														
100 mm														
160 mm <sup>(1)</sup>														
<b>Case</b>														
Stainless steel 1.4301 (AISI 304)														
<b>Connection</b>														
Without connection (direct mounting)														
<b>Immersion tube outlet</b>														
Bottom														
Center back														
<b>Indication</b>														
EN 13190 (Standard)														
<b>Immersion tube / diameter / material</b>														
Ø 8 mm, Cu-alloy (only up to 250°C)														
Ø 8 mm, stainless steel 1.4571 (AISI 316 Ti)														
<b>Immersion tube / installed length L</b>														
100 mm														
160 mm														
250 mm														
400 mm														
600 mm														
1000 mm														
<b>Unit of measurement / Temperature ranges <sup>(2)</sup></b>														
°C														xxT
<b>Options to be added behind the / (see example below)</b>														

<sup>(1)</sup> Only available with center back immersion tube.

<sup>(2)</sup> Available standard temperature ranges, see tables on page 2. For ranges not listed, please contact Baumer.

### Ordering example with options

	TB	100	-	2	1	1	.	1	6	9	.	12T	/	9710	-	9700	-	0793
Bimetal thermometer	←																	
Nominal size 100 mm	←																	
Case material stainless steel 1.4301 (AISI 304)	←																	
Without connection (direct mounting)	←																	
Immersion tube outlet: Bottom	←																	
Indication EN 13190 (standard)	←																	
Immersion tube Ø 8 mm, stainless steel 1.4571 (AISI 316 Ti)	←																	
Immersion length (L) 1000 mm	←																	
Temperature range: 0 ... 100°C	←																	
Option: Customer logo on dial	←																	
Option: Red mark	←																	
Option: Silicon free, label marking	←																	