



Main Features

- For isolated pipes with max 2" diameter
- Class 1 according to EN 13190
- Immersion tube brass (option stainless steel)
- Installed length 48, 68 or 88 mm

Applications

- Water & Waste water
- Energy
- Machinery
- HVAC

Technical Data

Nominal size	80, 100 mm
Temperature range	-20 ... 250°C
Accuracy	Class 1 (according to EN 13190)
Protection rating	IP 50 (EN 60529)
Immersion tube	Brass Option: Stainless steel 1.4571 (AISI 316 Ti)

Case	Stainless steel 1.4301 (AISI 304)
Bezel ring	Stainless steel 1.4301 (AISI 304)
Window	Instrument glass
Dial	Aluminium, white
Pointer	Aluminium, black
Immersion length ⁽¹⁾	10 ± 2 mm

Options

Dampening grease	Code 0581
Acrylic window (PMMA or Plexiglass) ⁽²⁾	Code 0752
Silicon free, label marking	Code 0793
Silicon free, marking on dial	Code 0794
Red mark	Code 9700
Green mark	Code 9701
Specific temperature range	Code 9704
Customer logo on dial	Code 9710
Specific technical data on dial	Code 9711

To be ordered separately

Calibration certificate (3 points)	90001188
------------------------------------	----------

⁽¹⁾ The instruments operate only within the specified accuracy if the immersion length of 10 ± 2 mm is adhered.

⁽²⁾ The case must not be constantly heated over 75°C.

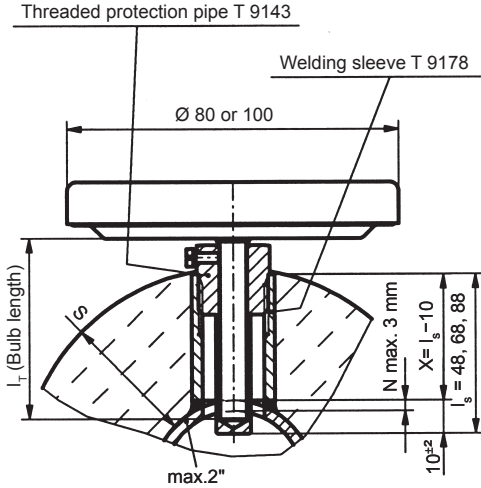
Temperature ranges

Code	Range °C
53T	-10 ... 30
52T	-20 ... 40
54T	-20 ... 60
10T	0 ... 40
11T	0 ... 60

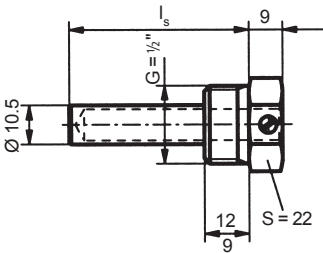
Code	Range °C
27T	0 ... 80
12T	0 ... 100
20T	0 ... 120
14T	0 ... 250

Installation instructions

Threaded

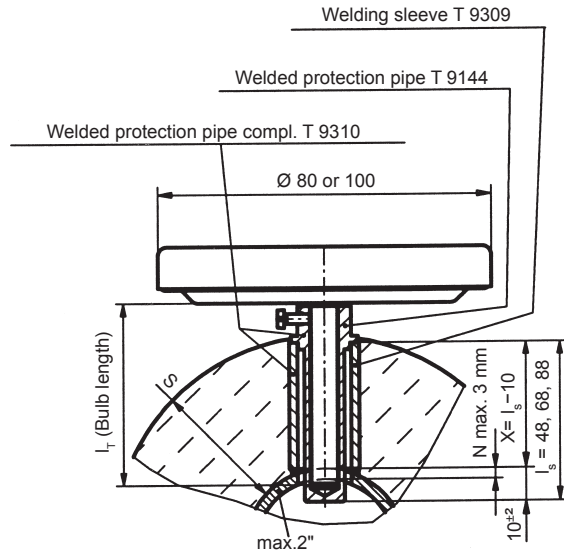


Threaded protection pipe

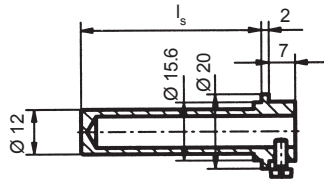


Ordering code				
S	I _s	I _T	Brass	Stainless steel
40	48	55	T 09143.0000	T 09143.0005
60	68	75	T 09143.0001	T 09143.0006
80	88	95	T 09143.0002	T 09143.0007

Welding

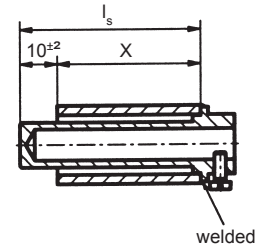


Welded protection pipe



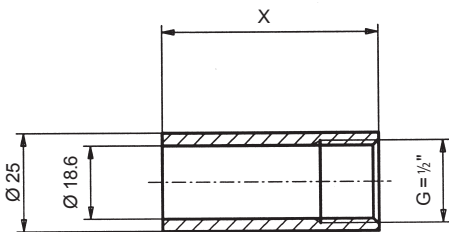
Ordering code				
S	I _s	I _T	Steel	Stainless steel
40	48	55	T 09144.0000	T 09144.0005
60	68	75	T 09144.0001	T 09144.0006
80	88	95	T 09144.0002	T 09144.0007

Welded protection pipe, compl.



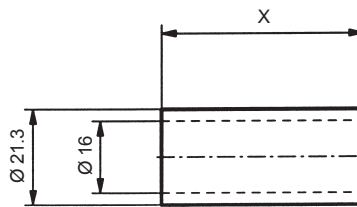
Ordering code				
S	I _s	X	Steel	Stainless steel
40	48	38	T 09310.0000	T 09310.0005
60	68	58	T 09310.0001	T 09310.0006
80	88	78	T 09310.0002	T 09310.0007

Welding sleeve with thread



Ordering code			
I _s	X	Steel	Stainless steel
48	38	T 09178.0001	T 09178.0005
68	58	T 09178.0000	T 09178.0006
88	78	T 09178.0002	T 09178.0007

Welding sleeve



Ordering code			
I _s	X	Steel	Stainless steel
48	38	T 09309.0000	T 09309.0005
68	58	T 09309.0001	T 09309.0006
88	78	T 09309.0002	T 09309.0007

NS	Weight (kg)
80	0.150
100	0.180

S = Insulation
 I_s = Length of the protection pipe
 I_T = Bulb length
 X = Length of the welding sleeve

Ordering details TBH

	TBH				-	2			.	1			.	xxx	/
Model	Bimetal Thermometer														
	TBH														
Nominal size															
80 mm				0	8	0									
100 mm				1	0	0									
Case															
Stainless steel 1.4301 (AISI 304)															2
Connection															
Without connection (direct mounting)															1
Immersion tube outlet															
Center back															2
Indication															
EN 13190 (Standard)															1
Immersion tube / diameter / material															
Ø 8 mm, Cu-alloy (only up to 120°C)															5
Ø 8 mm, stainless steel 1.4571 (AISI 316 Ti) standard for 0 ... 250°C															6
Immersion tube / installed length I															
I _s = 48 mm, I _T = 55 mm															1
I _s = 68 mm, I _T = 75 mm															2
I _s = 88 mm, I _T = 95 mm															3
Unit of measurement / Temperature ranges ⁽¹⁾															
°C															xxT
Options to be added behind the / (see example below)															

⁽¹⁾ Available standard temperature ranges, see tables on page 1. For ranges not listed, please contact Baumer.

Ordering example with options

	TBH	100	-	2	1	2	.	1	6	2	.	12T	/	9710	-	9700	-	0793	
Bimetal thermometer	←																		
Nominal size 100 mm	←																		
Case material stainless steel 1.4301 (AISI 304)	←																		
Without connection (direct mounting)	←																		
Immersion tube outlet: Center back	←																		
Indication EN 13190 (standard)	←																		
Immersion tube Ø 8 mm, stainless steel 1.4571 (AISI 316 Ti)	←																		
Installed length I _s = 68 mm, I _T = 75 mm	←																		
Temperature range: 0 ... 100°C	←																		
Option: Customer logo on dial	←																		
Option: Red mark	←																		
Option: Silicon free, label marking	←																		