



Lock Up Valve TS200/210/205/215 Series

- Quick Response and high precision
- Easy set-up of lock up air pressure
- Small size and light weight
- Options available (High & Low Temperature)

Lock Up Valve TS200/205/210/215 Series

Description

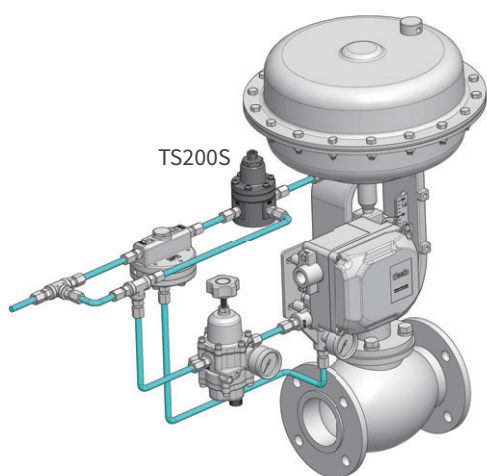
The pneumatic Lock Up Valve TS200 series shuts off the signal pressure line either when the air supply falls below an adjusted value or upon complete air supply failure. This causes the actuator to remain in its last position.

Features

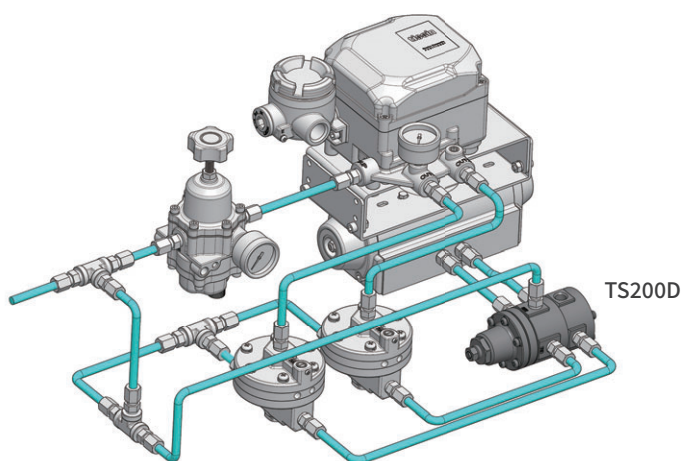
- + Quick Response and high precision
- + Easy set-up of lock up air pressure
- + Small size and light weight
- + Options available (High & Low Temperature)



Installation examples



Single actuator



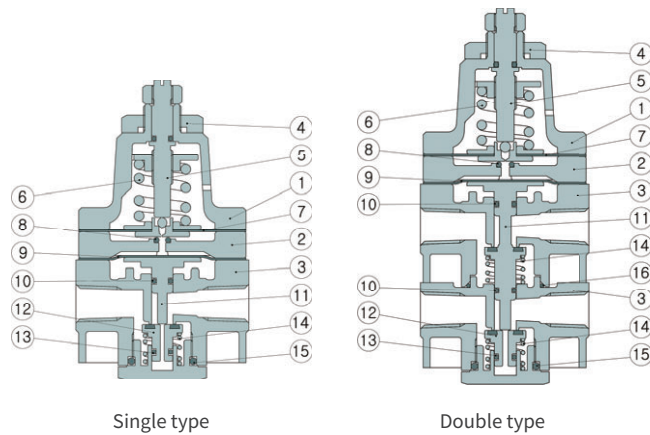
Double actuator

Lock Up Valve TS200/205/210/215 Series

Specifications

Model	TS200S	TS200D	TS205S	TS205D	TS210S	TS210D	TS215S	TS215D
Signal pressure	0.14~0.7MPa							
Max supply pressure	1MPa							
Max lock up pressure	0.7MPa							
Differential pressure	Below 0.01MPa							
Operating temperature	-20°C~70°C(Standard type)							
Flow capacity(CV)	0.9				1.8			
In/Out connection	NPT(PT)1/4		NPT1/4		NPT(PT)3/8		NPT3/8	
Signal connection	NPT(PT)1/4		NPT1/4		NPT(PT)1/4		NPT1/4	
Material	Aluminum die cast		Stainless steel 316		Aluminum die cast		Stainless steel 316	
Weight	0.5kg	0.6kg	1.2kg	1.6kg	1.2kg	2.1kg	3.3kg	6.0kg

Material of construction



No.	Title	TS200/TS210	TS205/TS215
1	Cover	ALDC12	STS316
2	Ring	ALDC12	STS316
3	Body	ALDC12	STS316
4	Mounting nut	STS	STS316
5	Shaft adjust	STS	STS316
6	Spring adjust	HSW3	STS
7	Ass'y diaphragm	STS/NBR	STS/NBR
8	O-ring	NBR	NBR
9	Diaphragm lower	NBR/SILICONE	NBR/SILICONE
10	O-ring	NBR	NBR
11	Shaft push	C3604BD	STS316
12	Seat	C3604BD	STS316
13	O-ring	NBR	NBR
14	Spring seat	STS	STS
15	O-ring	NBR	NBR
16	O-ring	NBR	NBR

Product code

Model	TS2					
In/ Output port size	1/4"	0				
	3/8"	1				
Material	Aluminum		0			
	Stainless steel 316		5			
Acting type	Single				S	
	Double				D	
Air connection type*	NPT					N
	PT					P
Ambient temperature	-20°C~70°C					S
	-20°C~120°C					H
	-40°C~70°C					L
	-60°C~70°C					U

* TS205/215 are only available with NPT .

tissin

Solutions for control valve system

tissin

Tissin Co.,Ltd. (주)티씬

201-1105, No 397, Seokchen-ro, Ojeong-gu,
Bucheon-si, Gyeonggi-do, Korea 14449

Tel : +82-32-624-4573, Fax : +82-32-624-4574

www.tissin.co.kr



Version: PC-200EN_04/2024

We reserve the right to make technical changes or modify
the contents of this document without prior notice.

Copyright © 2024 Tissin
All rights reserved.

Printed in Korea