



Electro-Pneumatic Positioner TS600 Series

Fast response time and excellent stability

Simple zero and span adjustment

IP 66 enclosure

Strong anti vibration performance

By-pass valve (A/M switch) installed

Description

TS600 Electro-Pneumatic Positioner controls the valve stroke in response to an input signal of 4-20mA from the control panel, DCS, or calibrator.

Certified



Features

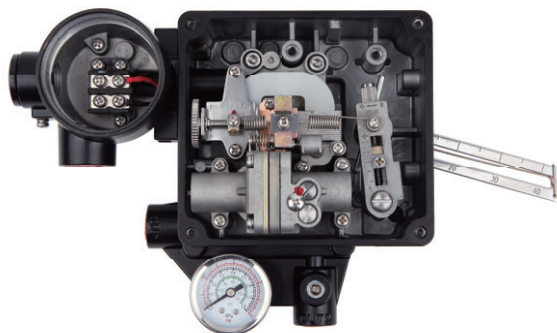


- + Fast response time and excellent stability
- + Simple zero and span adjustment
- + IP 66 enclosure
- + Strong anti vibration performance
- + By-pass valve (A/M switch) installed
- + Air connection part is designed for detachability and it can be changed PT/NPT tapping threads in the field easily
- + Integrated Flameproof and Intrinsically safe protection (ATEX&IECEX version)

Installation example



Internal structure



Position transmitter PCB



Specifications

Model	TS600L(Single)	TS600L(Double)
Input signal	4~20mA DC	
Impedance	250 ±15Ω	
Supply pressure	0.14~0.7MPa	
Stroke	10~150mm	
Air connection	PT1/4, NPT1/4, G1/4	
Gauge connection	PT1/8, NPT1/8	
Conduit	G(PF)1/2, NPT1/2, M20	
Explosion proof type	Ex db mb IIC T6/T5 Gb Ex ia IIC T6/T5 Gb	
Intrinsically safe parameters	Ui=28V, li=101mA, Pi=707mV	
Enclosure	IP66 (EN60529)	
Ambient Temp.	-20°C~70°C (Standard type)	
Explosion proof	-40°C~60°C(T5) / -40°C~40°C(T6)	
Linearity	±1.0% F.S.	±2.0% F.S.
Sensitivity	±0.2% F.S.	±0.5% F.S.
Hysteresis	±1.0% F.S.	
Repeatability	±0.5% F.S.	
Air consumption	Below 2.5LPM (Sup=0.14MPa)	
Flow capacity	Over 80LPM (Sup=0.14MPa)	
Material	Aluminum die cast	
Weight	2.8kg	

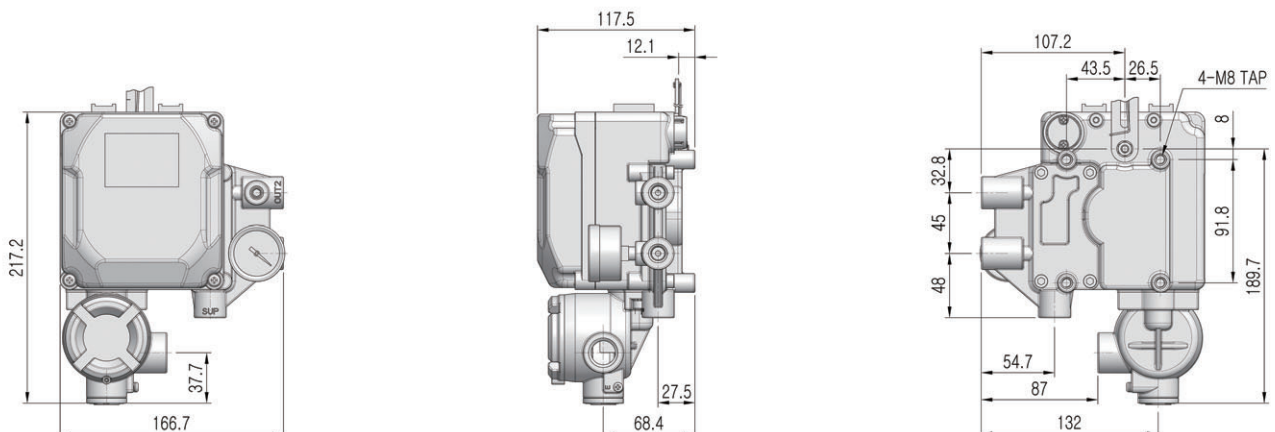
Product code

Model	TS600	L				
Acting type	Linear type	L				
Explosion proof type	Non-explosion proof		N			
	Ex dmb IIB T5/T6		B			
	Ex dmb IIC T5/T6		C			
	Ex ia IIC T5/T6		A			
ATEX&IECEx version	Ex db mb IIB/IIC T5/T6 Gb		X			
	Ex ia IIC T5/T6 Gb					
Connection	Conduit entry	Air connection				
	G1/2	PT1/4	1			
	G1/2	NPT1/4	2			
	NPT1/2	NPT1/4	3			
M20	NPT1/4	4				
M20	G1/4	5				
Lever type	10 ~ 40mm				1	
	40 ~ 70mm				2	
	70 ~ 100mm				3	
	100~ 150mm				4	
Ambient Temp.	-20°C~70°C					S
	-20°C~120°C *					H
	-40°C~70°C					L
	-60°C~70°C(For EAC)					U
Option	None (Standard type)					0
	With 4~20mA Position transmitter (Positioner is RA type) *					1
	With 4~20mA Position transmitter (Positioner is DA type) *					2

Notes:

- * Must be Non-explosion proof type.
- Conduit entry for ATEX/IECEx/CCC/NEPSI should be "NPT1/2" or "M20".

Dimension [Unit:mm]



Description

TS600 Electro-Pneumatic Positioner controls the valve stroke in response to an input signal of 4-20mA from the control panel, DCS, or calibrator.

Certified



Features



- + Fast response time and excellent stability
- + Simple zero and span adjustment
- + IP 66 enclosure
- + Strong anti vibration performance
- + By-pass valve (A/M switch) installed
- + Air connection part is designed for detachability and it can be changed PT/NPT tapping threads in the field easily
- + Integrated Flameproof and Intrinsically safe protection (ATEX&IECEx version)

Options



Option code No.1
TS600R with Position transmitter
(Non-explosion proof type)



Option code No.2 or No.4
TS600R with Limit switch
(Non-explosion proof type)



Option code No.3
TS600R with Limit switch
(Explosion proof type)



Option code No.5
TS600R with Position transmitter and
Limit switch (Explosion proof type)



Option code No.6
With external Limit switch
mounting device



Option code No.7
With Position transmitter and
external Limit switch mounting device



For KCS certificate type



Option code No.1
TS600R with Position transmitter
With LCD (Special type)



Specifications

Model	TS600R(Single)	TS600R(Double)
Input signal	4~20mA DC	
Impedance	250 ±15Ω	
Supply pressure	0.14~0.7MPa	
Stroke	0~90°	
Air connection	PT1/4, NPT1/4, G1/4	
Gauge connection	PT1/8, NPT1/8	
Conduit	G(PF)1/2, NPT1/2, M20	
Explosion proof type	Ex db mb IIC T6/T5 Gb Ex ia IIC T6/T5 Gb	
Intrinsically safe parameters	Ui=28V, Ii=101mA, Pi=707mV	
Enclosure	IP66 (EN60529)	
	Ambient Temp.	Operating Temp. -20°C~70°C (Standard type)
Temp.	Explosion proof	-40°C~60°C(T5) / -40°C~40°C(T6)
Linearity	±1.0% F.S.	±2.0% F.S.
Sensitivity	±0.2% F.S.	±0.5% F.S.
Hysteresis	±1.0% F.S.	
Repeatability	±0.5% F.S.	
Air consumption	Below 2.5LPM (Sup=0.14MPa)	
Flow capacity	Over 80LPM (Sup=0.14MPa)	
Material	Aluminum die cast	
Weight	2.8kg	

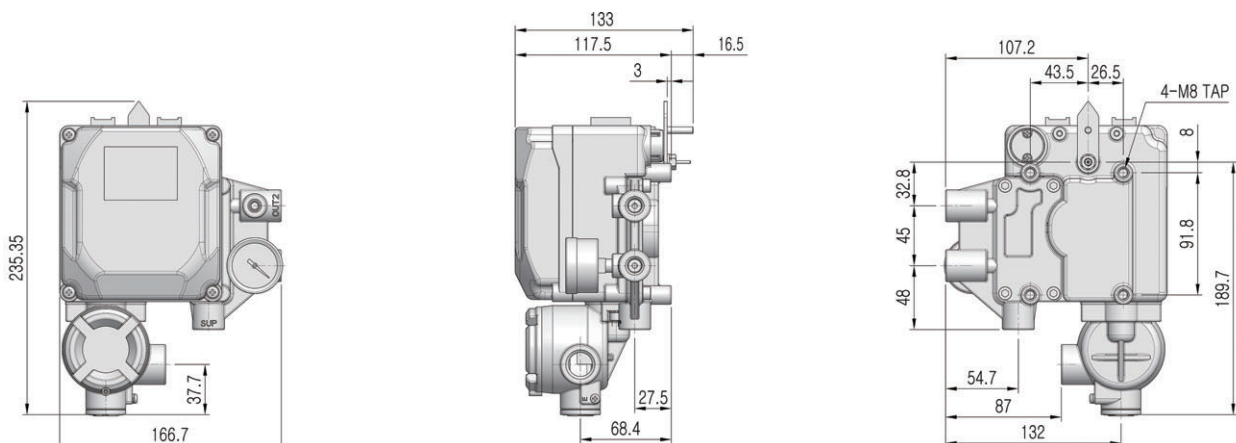
Product code

Model	TS600	R				
Acting type	Rotary type	R				
Explosion proof type	Non-explosion proof	N				
	Ex dmb IIB T5/T6	B				
	Ex dmb IIC T5/T6	C				
	Ex ia IIC T5/T6	A				
	ATEX&IECEx version Ex db mb IIC T6/T5 Gb Ex ia IIC T6/T5 Gb	X				
Connection type	Conduit entry	Air connection				
	G1/2	PT1/4	1			
	G1/2	NPT1/4	2			
	NPT1/2	NPT1/4	3			
	M20	NPT1/4	4			
M20	G1/4	5				
Lever type	M6 x 39L				1	
	NAMUR				5	
Ambient Temp.	-20°C~70°C					S
	-20°C~120°C *					H
	-40°C~70°C					L
	-60°C~70°C (For EAC)					U
Option	None					0
	Internal PTM*					1
	Internal L/S*					2
	External L/S (TS410)					3
	Internal PTM + L/S*					4
	External PTM+L/S (TS510)					5
	With external L/S mounting device					6
	With PTM + L/S mounting device*					7
With Dome cover*					8	

Notes:

- * Must be Non-explosion proof type.
- Conduit entry for ATEX/IECEx/CCC/NEPSI/KCS should be "NPT1/2" or "M20".
- PTM is Position transmitter, L/S is Limit switch.

Dimension [Unit:mm]



tissin

Solutions for control valve system

Tissin Co.,Ltd. (주)티씬

201-1105, No 397, Seokchen-ro, Ojeong-gu,
Bucheon-si, Gyeonggi-do, Korea 14449

Tel : +82-32-624-4573, Fax : +82-32-624-4574

www.tissin.co.kr



Version: PC-600EN_04/2024

We reserve the right to make technical changes or modify
the contents of this document without prior notice.

Copyright © 2024 Tissin
All rights reserved.

Printed in Korea